

DHI-HY-BD1

Beam Detector



- Automatically trigger the laser-assisted positioning installation
- Built-in stepper motor automatically calibrates the detector angle, no need to manually operate the mechanical structure
- Ultra low power consumption: Ultra low monitoring current and alarm current

System Overview

Fire alarm infrared beam smoke detector is a reflective linear infrared beam smoke detector. The beam detector determines whether to output an alarm signal based on the attenuation of smoke on the optical path. When there is a lot of smoke which is full of the space, it will make the IR light path to refraction, so that triggering the smoke alarm from beam smoke detector. It can cover a large space, and upload the fire alarm information to FACP (Fire Alarm Control Panel).

Functions

Easy wiring

Non polarized two-wire power supply, supports DC24V or fire protection dual bus.

Easy debugging

Automatic or manual encoder triggered calibration. Laser assisted positioning installation, built in stepper motor automatically calibrates detector angle, no manual operation of mechanical structures is required.

Strong anti-interference ability

Neural network smoke recognition algorithm, immunity to interference from natural light such as sunlight.

Adjustable sensitivity

Three levels sensitivity, suitable for different sensitivity locations.

Easy maintainance

Adopt a multi-level drift compensation algorithm for dust accumulation.

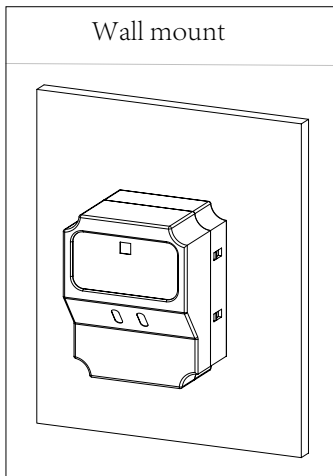
Scene

It is suitable for factories, warehouses, airports, stations, and other unobstructed large spaces.

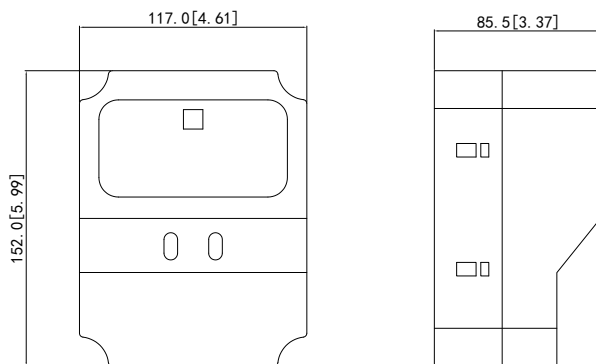
Technical Specification

Working Voltage	DC 24V
Current	Monitoring current: ≤ 0.5mA Operating current: ≤ 0.9mA
Max. Optical Path Direction Deviation	±0.5°
Optical Path Length	10 m-100 m
Storage Temperature	-10°C to +55°C (+14°F to +131°F)
Operating Humidity	≤ 95% RH (no condensation)
Color	White
Dimensions	117 mm × 152 mm × 85.5 mm (4.61" × 5.98" × 3.37")
Protection	IP65

Installation



Dimensions (mm/inch)



Ordering Information

Type	Part Number	Description
Detector	DHI-HY-BD1	Beam Detector