

Intrusion Alarm System
Automatic Monitoring System

Intelligent Outdoor Detector

SIR10SA

Tri Watcher®

Installation Manual

Thank you for using this Atsumi Intrusion Alarm System: Intelligent Outdoor Detector. Be sure to carefully read this installation manual before the installation to ensure correct installation. Then, keep this manual in a safe location for reference when needed.

<Disclaimer>

This detector is a component device for detecting illegal intrusion, and it is not a theft-prevention device. This product should be used effectively as a part of a full security system by the customer.

Atsumi is not liable for any damages arising due to theft or other causes.

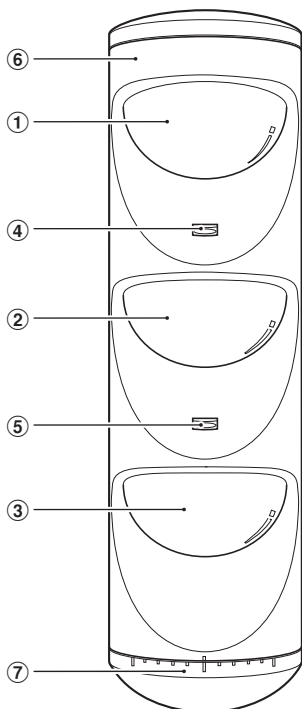
1. PRODUCT COMPONENTS

The product components are shown in the table below. Check that all the components are included before starting the installation.

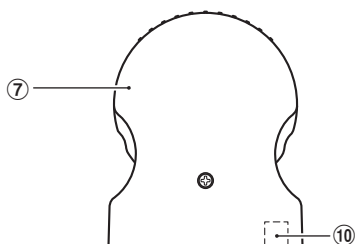
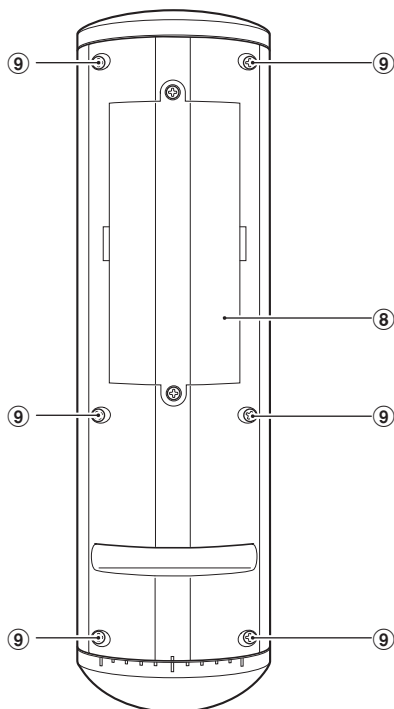
Component	Quantity
Main device	1
Main device installation screws (nominal diameter 4 x 30)	2
Lens 1 masking tape	2
Lock screw (Nominal diameter M3x8)	1
Installation manual (this manual)	1
Lens 2 masking tape	1

2. NAMES OF PARTS AND THEIR OPERATIONS

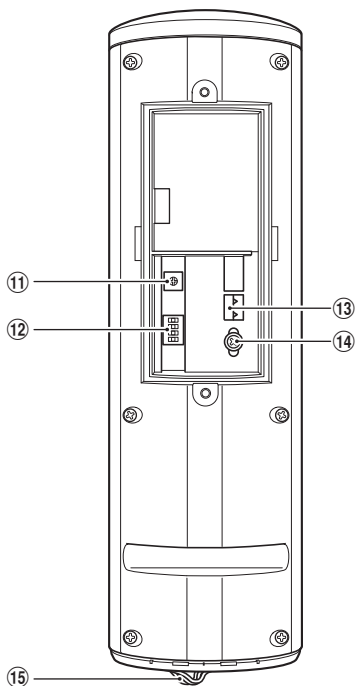
Main device front



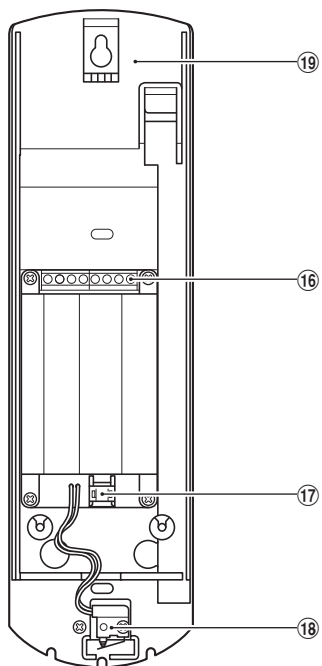
Main device rear



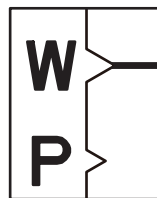
Main device rear



Mounting base



- ① Lens 1
This lens is for collecting the heat in the detection area.
- ② Lens 2
This lens is for collecting the heat in the detection area.
- ③ Lens 1'
This lens is for collecting the heat in the detection area.
- ④ Alarm LED 1
This LED lights or flashes red to indicate the operating status of the device.
- ⑤ Alarm LED 2
This LED lights or flashes red to indicate the operating status of the device.
- ⑥ Cover
This is the front cover of the device.
- ⑦ Lower cover
This is the bottom cover of the device.
- ⑧ Small cover
This is the cover of the setting switches.
- ⑨ Cover screw
These screws are used when removing the cover.
- ⑩ Knockout
Break this knockout for wiring on the wall.
- ⑪ Sensitivity volume
This adjusts the detection sensitivity.
- ⑫ Dip switch
The dip switches are used to set the various functions of the device.
- ⑬ Alarm mode index
This index indicates the alarm mode.



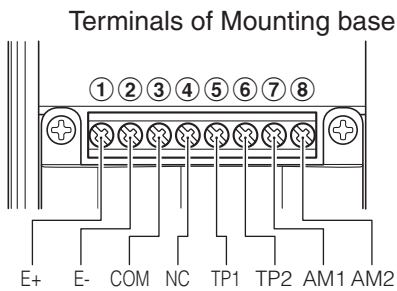
Wide mode



Pet Alley mode

- ⑭ Board fix screw
This is a screw for fixing the board in place.
- ⑮ Relay cable
This is a cable for connecting the main device and mounting base.
- ⑯ Terminals
These are terminals for the cable connection to other equipment.
- ⑰ Relay cable connector
This is a connector for connecting the relay cable from the main device.
- ⑱ Tamper switch
This is a switch that detects opening and closing of the lower cover.
- ⑲ Mounting base
This is used when mounting this device on a wall or other object.

3. NAMES OF TERMINALS AND THEIR OPERATIONS



Terminal symbol/Name	Operation
Power supply input (①:E+, ②:E-)	A power supply of 9.0 V to 28.0 V DC is input. It has the polarity.
Alarm output (③:COM, ④:NC)	This is the 1b non-voltage output. The allowable contact capacity is 30 V DC/0.3 A (resistor load). *When power is not supplied, the output opens.
Tamper output (⑤:TP1, ⑥:TP2)	This is the 1b contact component non-voltage output. The allowable contact capacity is 30 V DC/0.1 A (resistor load).
Anti-Masking output (⑦:AM1, ⑧:AM2)	This is the 1b non-voltage output. The allowable contact capacity is 30 V DC/0.3 A (resistor load). *When power is not supplied, the output opens.

4. WIRING MATERIALS AND WIRING METHODS

CAUTION

Do not wire near equipment that is a strong source of noise.
Do not wire in parallel to commercial power supplies or power lines.
Do not use aerial wiring. All of these installation could result in a malfunction.

● Power line wiring

For the wiring materials of power input wires, use wires that have a resistance lower than the maximum allowable resistance found using the formula below.

To simplify the calculation method in this example, the calculation method is described for the condition where the all detectors are installed farthest from the power supply device (so that the allowable resistance is minimized).

Calculation method for wire length in one direction from power supply unit to this detector

$$\text{Maximum allowable resistance value for wire material R } [\Omega/\text{km}] = \frac{V_c - V_s}{1.2 \times (2 \times L) \times i}$$

V_c: Output voltage of power supply unit [V]

V_s: Minimum operating voltage of this device = 9 V

L: The wire length from this device to power supply unit (km)

i: Current consumption of this device = 0.035 A

Wire Table

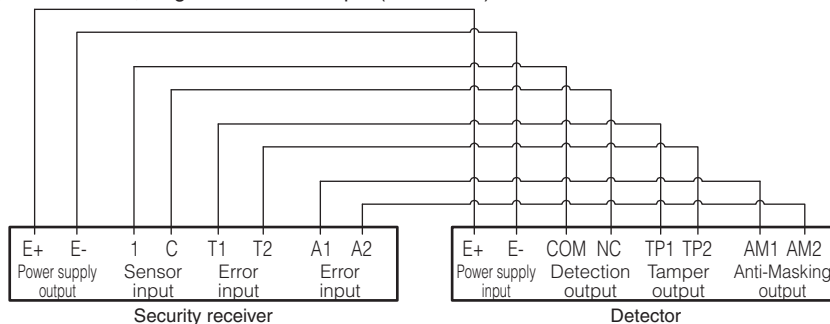
Single wire (mm)	∅0.50	∅0.65	∅0.80	∅0.90	∅1.00	∅1.20
Single wire (AWG)	24	22	20	19	18	16
Twisted wire (mm ²)	0.20	0.40	0.50	0.75	0.90	1.30
Resistance (Ω/km)	89	56	37	29	24	16

*Use a wire material that ranges from AWG24 to AWG16.

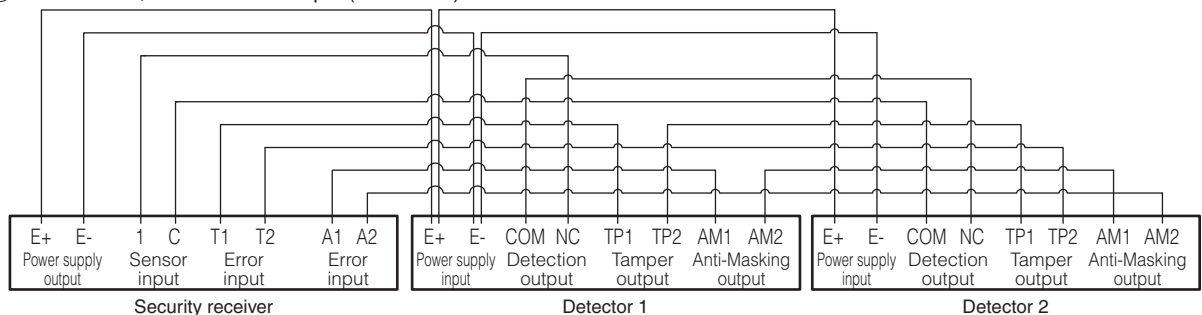
● Wire examples

SIR10SA wiring examples

① One channel, single-detector example (1b contact)

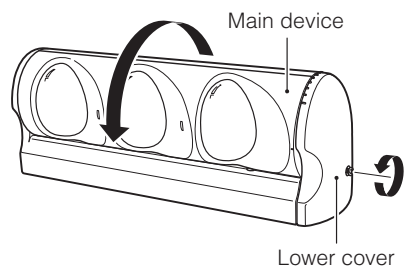


② One channel, two-sensor example (1b contact)

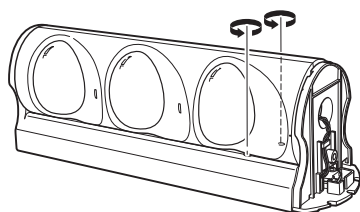


5. INSTALLATION PROCEDURE

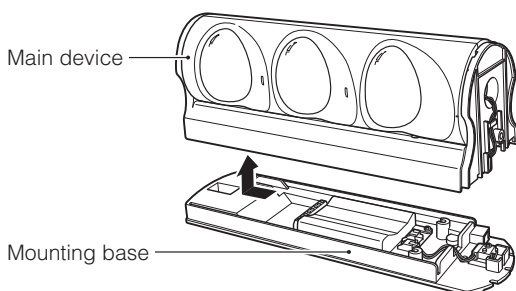
- 1** Remove the lower cover, and rotate the main device by 90 degrees.



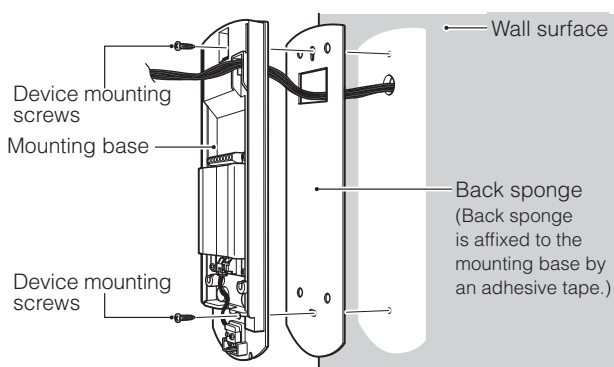
- 2** Loosen the two screws.



- 3** Remove main device from the mounting base.



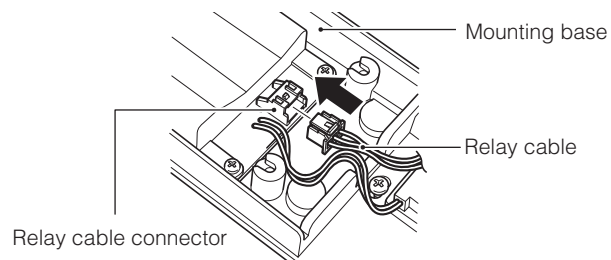
- 4** Use the device mounting screws to secure the mounting base and back sponge to the wall surface and connect the wiring.



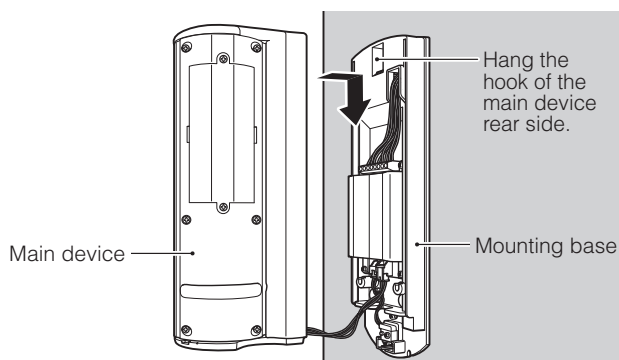
CAUTION

Be sure to install the main device so that it is parallel to the ground surface or floor. If it is installed at a tilt, a malfunction or breakdown could result.

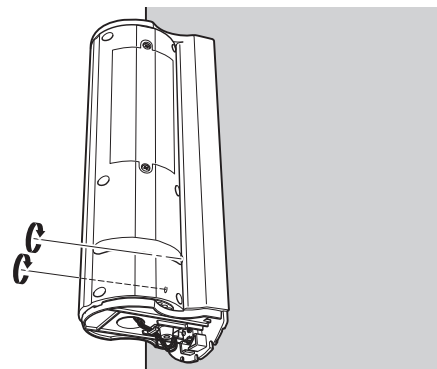
- 5** Connect the relay cable of the main device to the connector of the mounting base.



- 6** Fit the main device.

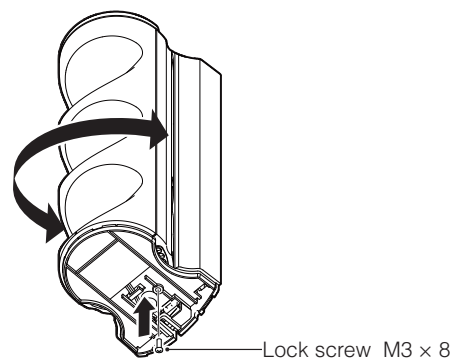


- 7** Tighten the screws.



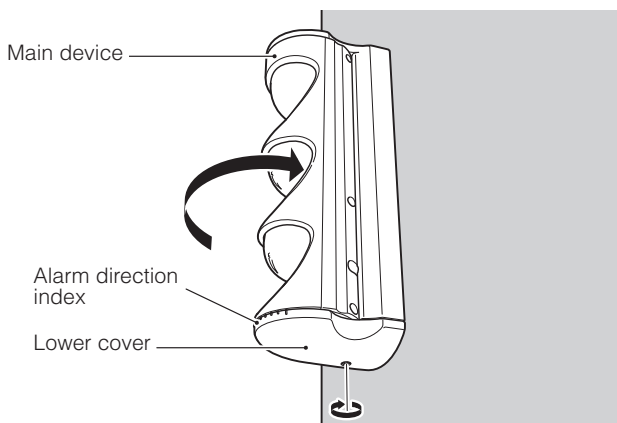
- 8** About how to use lock screw.

* A locking mechanism of the rotary prevention becomes stronger by using an attached lock screw when the detection area of the detector was decided.



9 Align the alarm direction, and tighten the screw of the lower cover.

* Check the alarm direction index to make sure the direction.



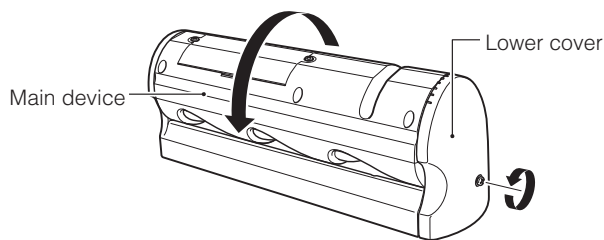
NOTES

If Anti-Masking output remains even in the state where masking is not performed after the warmup function has ended, the Anti-Masking function may not have been initialized normally. In this case, turn the power off and then turn it back on.

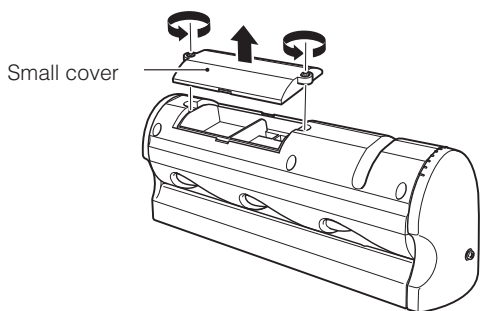
Anti-Masking LED may be turned on while the warmup function is running, which does not indicate a failure.

6. USING AS A PET ALLEY MODE (The device is set to the wide mode in default)

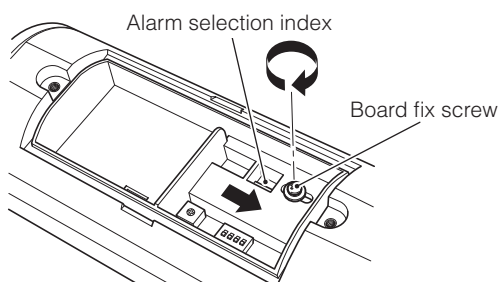
1 Loosen the lower cover screw by about 5 mm, and rotate the main device by 180 degrees.



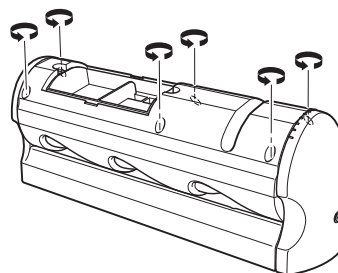
2 Loosen the two screws, and take off the small cover.



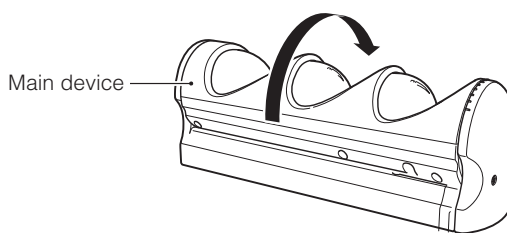
3 Loosen the board fix screw, and slide all the way in the direction of the arrow. Check that the alarm selection index is in the "P" position, and tighten the board fix screw.



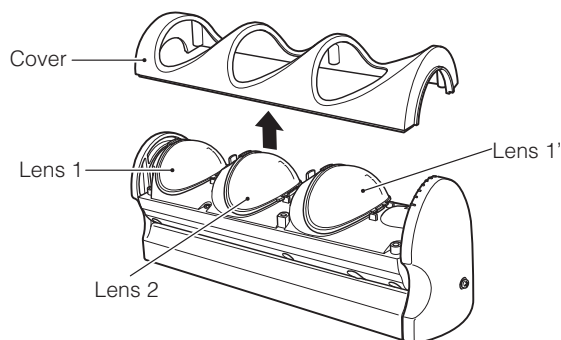
4 Loosen the six cover screws.



5 Rotate the main device by 180 degrees so that it is facing forward.

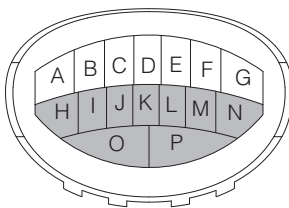


6 Remove the front cover.

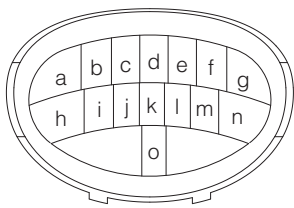


7 Remove Lens 1, 1' and affix masking tape to the inside of Lens 1, 1'.

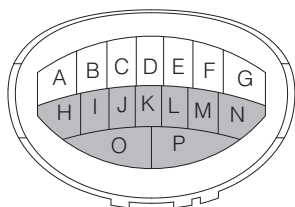
●The masking locations are "H" to "P" on Lens 1, 1'.



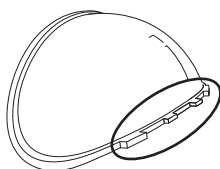
Lens 1 configuration



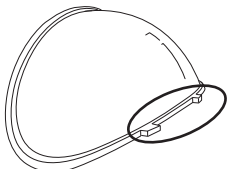
Lens 2 configuration



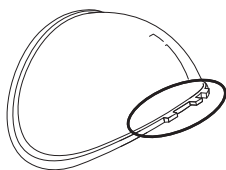
Lens 1' configuration



Lens 1



Lens 2



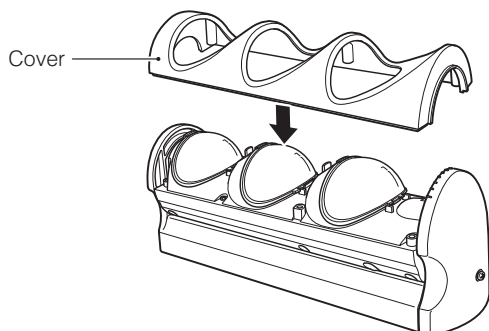
Lens 1'

CAUTION

The shape of the projections on lens 1, 1' and lens 2 are different. When mounting the lens, be careful not to mistake them. This could cause a malfunction or breakdown.

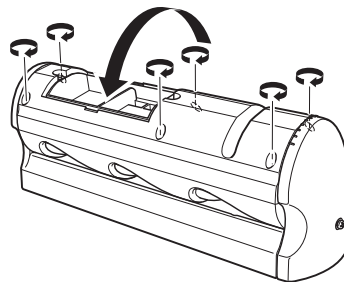
After the lens is removed, do not touch the main device internal parts. This could cause a malfunction or breakdown.

8 Mount the front cover.



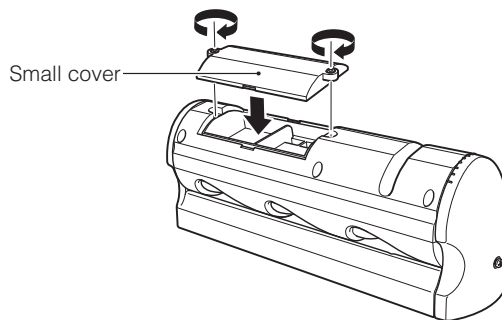
Cover

9 Rotate the main device by 180 degrees, and tighten the six cover screws.



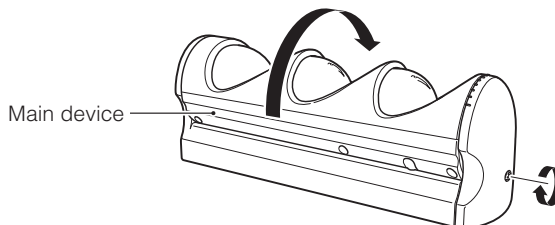
10 Set back the small cover, and tighten the two screws.

* The small cover can be mounted in either direction.



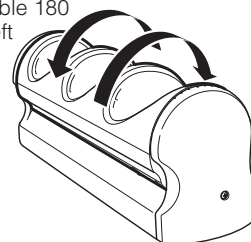
Small cover

11 Rotate the main device, align the alarm direction, and then tighten the lower cover screws to secure in place.



Main device

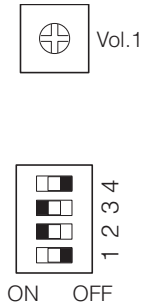
Rotation is possible 180 degrees in the left direction.



Rotation is possible 135 degrees in the right direction.

7. SETTING SWITCHES

Make the switch settings after removing the small cover from the main device.



- Setting volume 1 Sensitivity
- Setting switches 1 and 2 Pulse count (Default: OFF, ON)
- Setting switch 3 LED indicator (Default: ON)
- Setting switch 4 LED precaution and Anti-Masking LED indicator (Default: OFF)

1. Detection sensitivity selection function (Sensitivity volume)

The detection sensitivity of the detector can be adjusted.
 Range: 50% - 100% - 150%
 The default detection sensitivity is 100%.
 Operation: When set to 100%, the detection sensitivity when walking at 1 m/s in a 35°C environment is 1.5°C.

2. Pulse count function (Setting switches 1 and 2)

Detection operation is performed by a preset number of signal inputs.
 Function selection: Set the setting switches to select one of the four types below.

	Switch 1	Switch 2	No. of signals
(Default setting)	On	On	1
	Off	On	2
	On	Off	3
	Off	Off	4

Operation: The number of signal inputs within 10 seconds are countered, and if they reach to a preset count, the detection operation is performed. When 10 seconds elapses from the last signal input, the count value is reset.
 Normally, when a person passes through a zone, one or two signal inputs are obtained, but if the temperature difference is small between the person and the background of the floor or wall, only one signal is obtained. Therefore, keep this point in mind when making the setting.

3. LED indicator selection function (Setting switch 3)

On : Alarm LEDs 1 and 2 (red) are normally off, and turn on at detection. (Default setting)
 Off : Alarm LEDs 1 and 2 (red) are normally off, and do not turn on at detection.

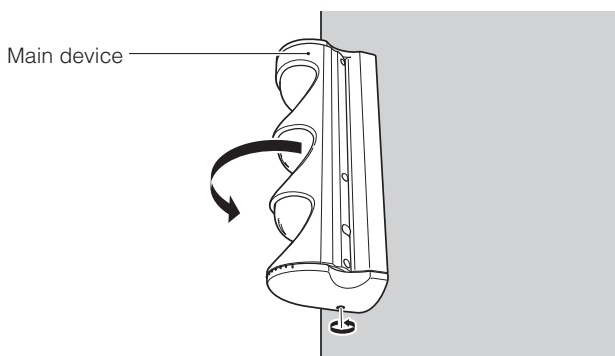
4. LED precaution and Anti-Masking LED indicator (Setting switch 4)

In normal conditions, the alarm LEDs 1 and 2 are alternately turned on. (once every 2.5 seconds)
 Upon detection of Anti-Masking, the alarm LEDs 1 and 2 start flashing simultaneously. (5 times a second)
 The alarm LEDs flash at different intervals between when operation is in normal conditions and when Anti-Masking is detected.
 On : The LED alarm is used. This function can be used even though LED indicator selection is off.
 Off : The LED alarm is not used. (Default setting)

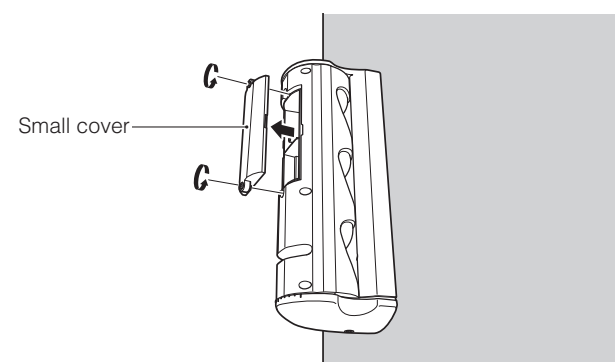
Mounting and removing the small cover

Removing

- 1 Loosen the lower cover screw by about 5 mm, and rotate the main device by 180 degrees.



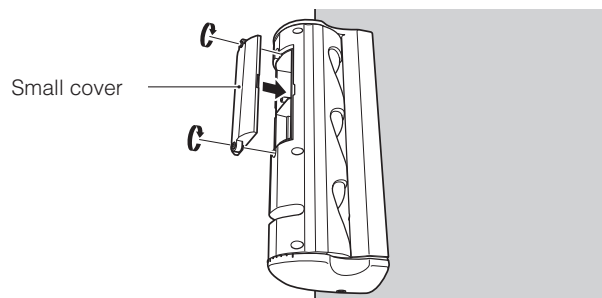
- 2 Loosen the two screws, and take off the small cover.



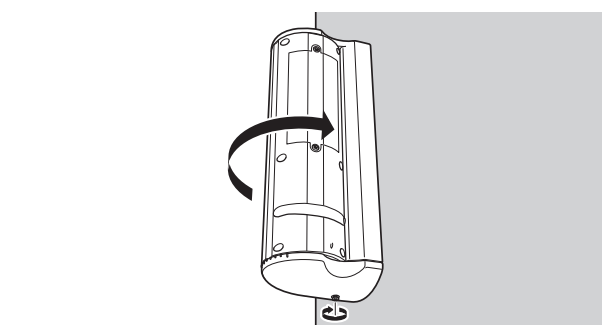
Mounting

- 1 Fit the small cover, and tighten and secure the two screws.

* The small cover can be mounted with the top and bottom in either direction.



- 2 Rotate the main device, align the alarm direction, and then tighten the lower cover screws to secure in place.



8. AUXILIARY FUNCTIONS

1. Detection system selection function

Wide mode: Install at a height from 2 to 3.0 m. In the default setting, the Wide mode is set.

Pet alley mode: Install at a height from 0.8 to 1.2 m. This is used when large pets may be falsely detected by the Wide mode.

2. Warmup function

Function selection: This function is always enabled regardless of the switch setting.

Operation: To stabilize the detection function of the detector, the detection operation is not performed for about 50 seconds after the power is on. During the warmup operation, alarm LEDs 1 and 2 (red) flash once a second.

3. Self-diagnostic function

This detects errors in the detector itself.

Function selection: This function is always enabled regardless of the switch setting.

Operation: When an error occurs in the element or signal amplification unit, alarm LEDs 1 and 2 (red) flash once a second, and continue to send the alarm output until the power is turned off. In this case, the device must be replaced.

The detector and the Anti-Masking function do not work while the self-diagnostic function is running.

4. Tamper function

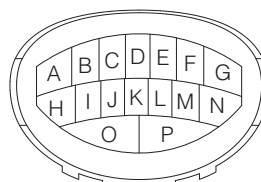
This detects opening and closing of the lower cover.

Function selection: This function is always enabled regardless of the switch setting.

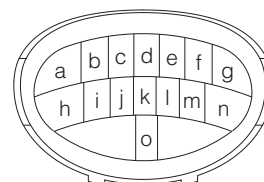
Operation: While the lower cover is opened, the tamper output is sent.

5. Masking function

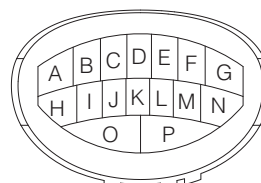
If causes of false alarm are in the detection area (such as trees and outdoor air-conditioning units) and causing malfunctions, mask the lens to disable that detection sector. Affix the masking tape by referring to the zone diagram shown in "12. Detection Area".



Lens 1 configuration



Lens 2 configuration



Lens 1' configuration

6. Anti-Masking function

This function detects masking performed for this device.

Function selection: This function is always enabled regardless of the switch setting.

Operation: When masking is performed for one minute or more, Anti-Masking is output from AM1 or AM2 on the terminal block.

If the setting switch 4 is ON, the alarm LEDs 1 and 2 flash five times a second when masking is performed for three seconds or more.

9. OPERATION CHECK ~ WALK TEST

- (1) The warmup function runs for 50 seconds after the power is turned on, and the detection operation is not performed. (The alarm LED flashes during this time.)
 - (2) Once the warmup is completed, walk through the detection area along the potential route of an intruder.
- If the alarm LED does not turn on, set the detection area, sensitivity, and pulse count again, and repeat the operation check.

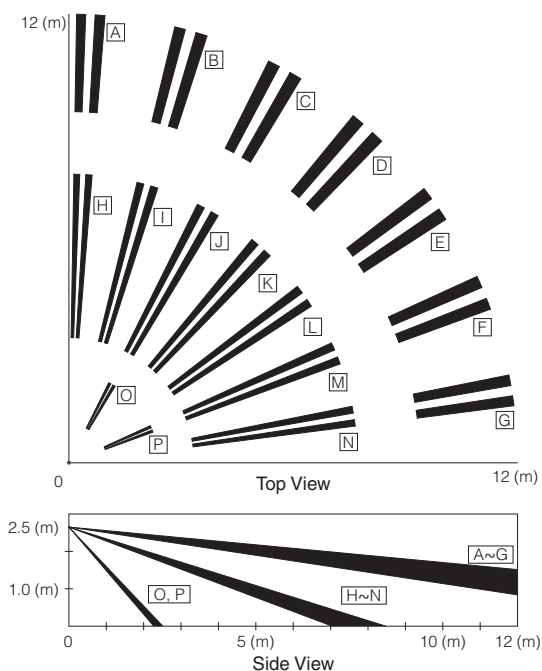
10. TROUBLESHOOTING

If this detector does not work correctly, be sure to check the supply voltage and polarity. If the detector is still not working correctly even though power is being supplied properly, find the cause and remedy of the problem by referring to the table below.

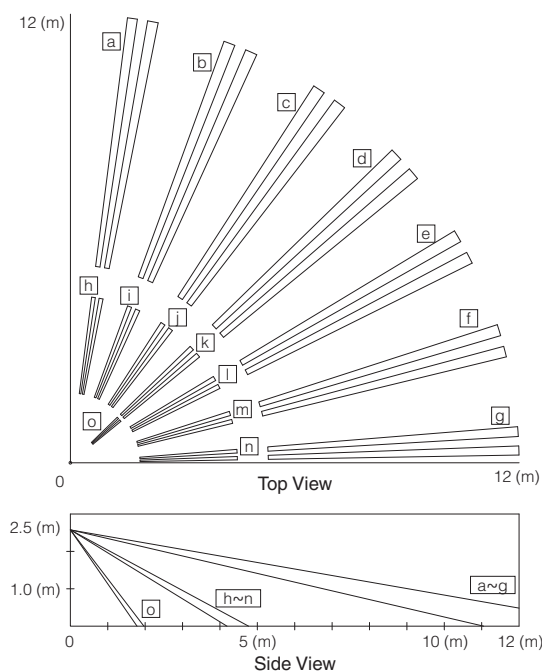
Symptom	Cause	Remedy
The detector does not work at all. (The alarm LED (red) does not turn on.) Sometimes, the detector does not work.	Glass, screen, or other obstacle is blocking the detection zone.	Move the obstacle, or readjust the detection area.
	The relay cable is not connected.	Connect the relay cable.
	The intruder does not pass through the detection zone.	Readjust the detector direction so that the intruder will pass through the detection zone.
The detector is activated even though there is no intruder. (The alarm LED (red) turns on.)	The detector is near a source of electrical noise, or the wiring is near a power source or power line.	Change the installation location. Change the wiring location.
	A sudden change in temperature has occurred.	Move the heat source or mask the correspond zone of the lens. Readjust the detection area.
	Sunlight, a car's headlights, or other light source has entered the background of the detector or detection area.	Readjust the detection area or mask the correspond zone of the lens.
	Trees, laundry, or other moving objects are within the detection area.	Remove the moving object from the detection area or mask the correspond zone of the lens. Readjust the detection area. Change the installation location.
Anti-Masking out remains even when masking is not performed.	The Anti-Masking function has not been initialized normally.	Turn the power off and then turn it back on.
The alarm LED (red) turns on, but the receiver alarm is not output.	The receiver is not in the alarm status.	Set the receiver to the alarm status.
The alarm LED (red) flashes (once a second) continuously.	The self-diagnostic function is activated due to the detector error. The detector and the Anti-Masking function do not work while the self-diagnostic function is running.	Replace the detector unit.

11. DETECTION AREA

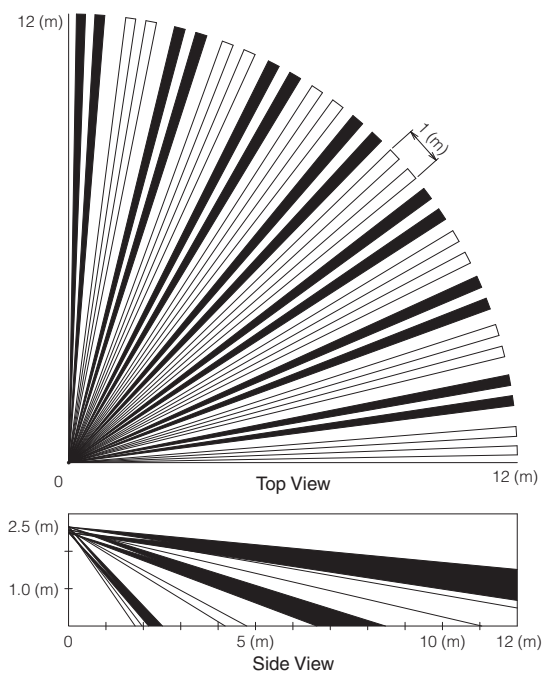
Lens 1,1' zone configuration diagram



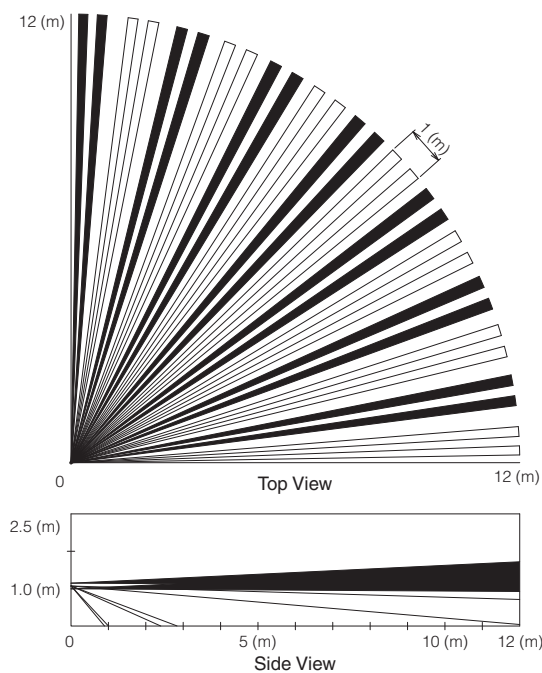
Lens 2 zone configuration diagram



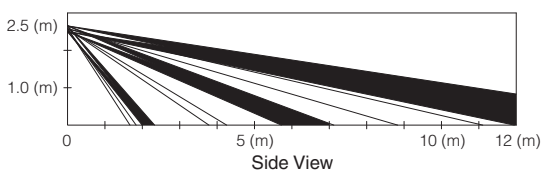
Wide Alarm Area Diagram



Pet Alley Alarm Area Diagram



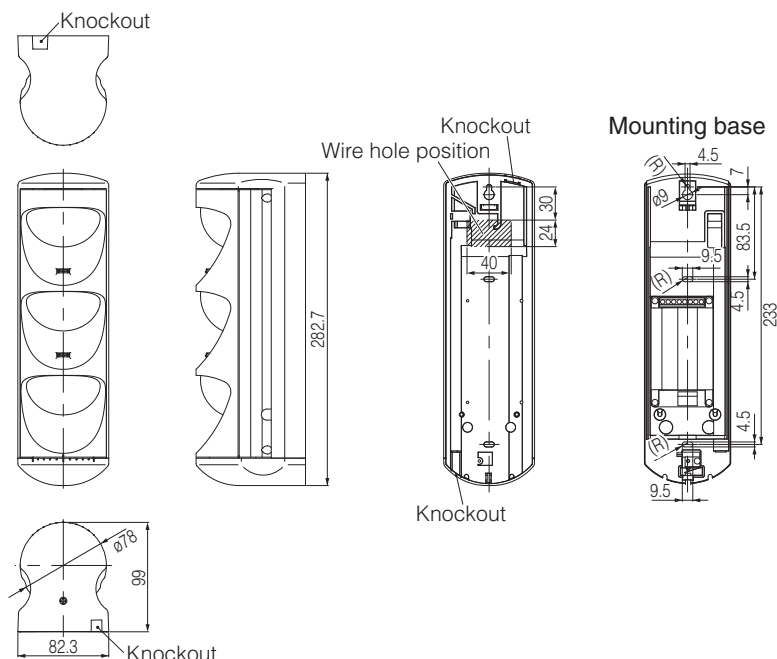
When the board is slid to the top (opposite direction from pet alley)



(The maximum alarm distance is 9 m.)

- Set the detector mounting height to 2.0 m to 3.0 m above the floor or ground for the wide mode and 0.8 m to 1.2 m above the floor or ground for the pet alley mode.
- The detection area can be adjusted $\pm 45^\circ$ horizontally, and the vertical direction can be adjusted by sliding the board.
- The detection zone consists of Lens1,1' and Lens2 zone configurations.

12. DIMENSIONS



13. SPECIFICATIONS

Product name	Intelligent outdoor detector	
Model	SIR10SA	
Power	9 – 28 V DC	
Current draw	35 mA (maximum)	
Operating temperature and humidity range	-25 ~ +50°C RH 95% or less	
Storage temperature and humidity range	-30 ~ +60°C RH 95% or less	
Alarm method	Wide mode	Pet alley mode
Installation height	2m ~ 3.0m	0.8m ~ 1.2m
Detection area	12m, 84°	
Detection zone (sector)	47 pairs(94 sectors)	29 pairs(58 sectors)
Detection method	Passive infrared system	
Indicator lights	Alarm LED 1=Red, Alarm LED 2=Red Self-diagnostic function :Alarm LEDs 1, 2 flashing (once a second) Warmup function :Alarm LEDs 1, 2 flashing (once a second) At detection :Alarm LEDs 1, 2 fully light Anti-Masking :Alarm LEDs 1, 2 flashing (5 times a second) LED precaution :Alarm LEDs 1, 2 turn on alternately	High ↑ Priority ↓ Low
Detection output	Non-voltage contact (1b) Contact operation :One-shot (3 seconds) Contact capacity :30 V DC 0.3 A (resistance load) Output resistance when closed :3 Ω or less	
Tamper output	Non-voltage contact (1b) Contact operation :When the lower cover is removed or opened Contact capacity :30 V DC 0.1 A (resistance load) Output resistance when closed :3 Ω or less	
Anti-Masking output	Non-voltage contact (1b) Contact operation :When masking is performed for one minute or more Contact capacity :30 V DC 0.3 A (resistance load) Output resistance when closed :3 Ω or less	
Detection speed	0.3 ~ 2.0 m/sec	
Detection sensitivity	1.5°C (temperature difference with background) Walk speed :1 m/sec Environment temperature :+35°C Sensitivity setting :100%	
Main device movable range	Horizontal direction ±45°	
Installation location	indoor/outdoor (IP55)	
Weight	800g	
Color	White DIC G-21	

14. OPTIONAL COMPONENTS

The optional components shown in the table right are available for this detector. Purchase them separately if needed.

Product number	Product name
PMK1	Pole mount kit

- The specifications of the optional components are subject to change without notice for improvements

15. MAINTENANCE

Daily inspection

- If the detector is dirty, wipe it off using a soft cloth with a small amount of soap solution. Never use thinner or alcohols.
- Perform an operation check on a regular basis about once a week. Also, check operation if storage box/house or walls/screens to block the detection zones.

Regular inspection

- Perform an operation check that includes that system about once a year. Be sure to also check the items below.
 - Is the supply voltage suitable?
 - Is the Alarm output working correctly (is the output resistance correct)?
 - Is the Tamper output working correctly (is the output resistance correct)?
 - Is the Anti-Masking output working correctly (is the output resistance correct)?

The specifications and design are subject to change without notice for incorporating improvements.

Atsumi guarantees the quality of our products for a period of one year based on provisions of the warranty. If any defects should occur in this product, please contact the dealer where you made the purchase.



ATSUMI ELECTRIC CO., LTD.

4-2-2 Shin-Miyakoda, Kitaku, Hamamatsu, Shizuoka 431 2103 Japan
Phone: (81)53-428-4116 Fax: (81)53-428-4119

**ATSUMI ELECTRIC CO., LTD.**4-2-2 Shin-Miyakoda, Kitaku, Hamamatsu, Shizuoka 431 2103 Japan
Phone: (81)53-428-4116 Fax: (81)53-428-4119Sistema de alarma de intrusión
Sistema automático de control**Detector inteligente para exteriores****SIR10SA**

Tri Watcher®

Manual de instalación

Gracias por utilizar el Sistema de alarma de intrusión de Atsumi: Detector inteligente para exteriores. Lea detenidamente este manual de instalación antes de la instalación para garantizar que ésta se realice correctamente. Le recomendamos que guarde este manual en un lugar seguro para consultarlo cuando sea necesario.

<Exención de responsabilidad>

Este detector es un dispositivo para la detección de intrusiones ilegales, no para la prevención de robos. El cliente debe utilizar este producto como parte de un sistema de seguridad integral. Atsumi no se responsabiliza por los daños que surjan debido a robos u otras causas.

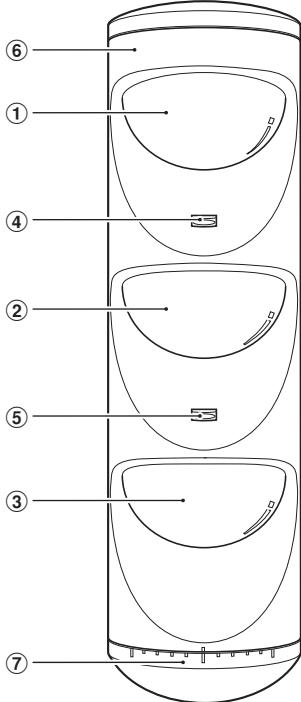
Español**1. COMPONENTES DEL PRODUCTO**

Los componentes del producto se muestran en la tabla a continuación. Compruebe que se hayan incluido todos los componentes antes de comenzar la instalación.

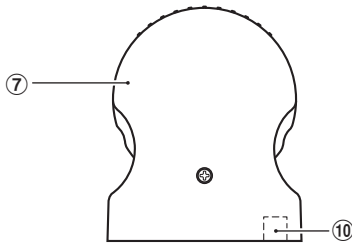
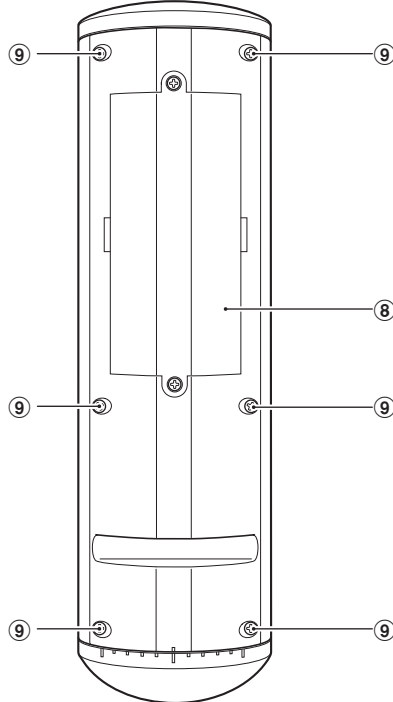
Componente	Cantidad
Dispositivo principal	1
Tornillos de instalación del dispositivo principal (diámetro nominal 4 x 30)	2
Cinta adhesiva para la lente 1	2
Tornillo de bloqueo (diámetro nominal M3x8)	1
Manual de instalación (este manual)	1
Cinta adhesiva para la lente 2	1

2. NOMBRES DE LAS PIEZAS Y SU FUNCIONAMIENTO

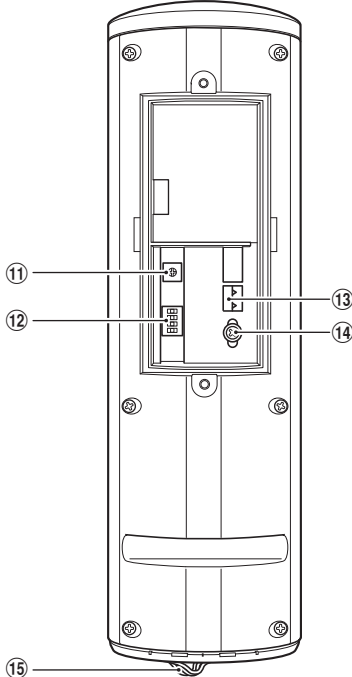
Parte frontal del dispositivo principal



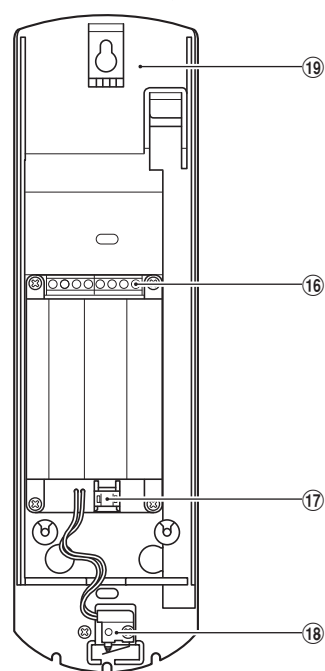
Parte trasera del dispositivo principal



Parte trasera del dispositivo principal



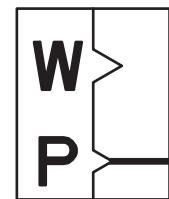
Base de montaje



- ① **Lente 1**
Esta lente sirve para absorber el calor en el área de detección.
- ② **Lente 2**
Esta lente sirve para absorber el calor en el área de detección.
- ③ **Lente 1'**
Esta lente sirve para absorber el calor en el área de detección.
- ④ **LED 1 de la alarma**
Este LED se ilumina o parpadea en rojo para indicar el estado operativo del dispositivo.
- ⑤ **LED 2 de la alarma**
Este LED se ilumina o parpadea en rojo para indicar el estado operativo del dispositivo.
- ⑥ **Cubierta**
Es la cubierta frontal del dispositivo.
- ⑦ **Cubierta inferior**
Es la cubierta inferior del dispositivo.
- ⑧ **Cubierta pequeña**
Ésta es la tapa de los interruptores de configuración.
- ⑨ **Tornillos de la cubierta**
Estos tornillos se utilizan para quitar la cubierta.
- ⑩ **Troquelado**
Rompa esta tapa Pre-marcada para el cableado de la pared.
- ⑪ **Volumen de sensibilidad**
Esto ajusta la sensibilidad de detección.
- ⑫ **Interruptor DIP**
Los interruptores DIP se usan para configurar las diferentes funciones del dispositivo.
- ⑬ **Índice del modo de alarma**
Este índice indica el modo de alarma.



Modo ancho

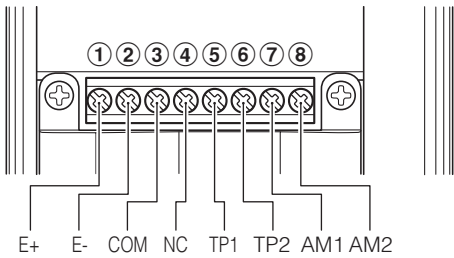


Modo de pasillo con mascotas

- ⑭ **Tornillo de fijación del tablero**
Este tornillo sirve para ajustar la placa en su lugar.
- ⑮ **Cable del relé**
Este cable conecta el dispositivo principal con la base de montaje.
- ⑯ **Terminales**
Éstos son terminales para la conexión de cables a otros equipos.
- ⑰ **Conector del cable del relé**
Sirve para conectar el cable del relé del dispositivo principal.
- ⑱ **Interruptor de seguridad**
Este interruptor detecta la apertura y cierre de la cubierta inferior.
- ⑲ **Base de montaje**
Se utiliza cuando el dispositivo se instala en una pared u otro objeto.

3. NOMBRES DE LOS TERMINALES Y SU FUNCIONAMIENTO

Terminales de la base de instalación



Símbolo y nombre del terminal	Funcionamiento
Entrada de la fuente de alimentación (①:E+, ②:E-)	Fuente de alimentación de 9 a 28 V CC de entrada. Tiene polaridad.
Salida de alarma (③:COM, ④:NC)	Ésta es la salida 1b sin tensión. La capacidad de contacto permitida es de 30 V CC/0,3 A (carga de la resistencia). *Cuando no se suministra alimentación, se abre el Contacto.
Salida de seguridad (⑤:TP1, ⑥:TP2)	Ésta es la salida 1b sin tensión del componente de contacto. La capacidad de contacto permitida es de 30 V CC/0,1 A (carga de la resistencia).
Salida de antienmascaramiento (⑦:AM1, ⑧:AM2)	Ésta es la salida 1b sin tensión. La capacidad de contacto permitida es de 30 V CC/0,3 A (carga de la resistencia). *Cuando no se suministra alimentación, se abre el Contacto.

4. MATERIALES Y MÉTODOS DE CABLEADO

PRECAUCIÓN

No realice el cableado cerca de equipos que sean una fuente de ruidos fuertes.
 No realice el cableado en paralelo a las fuentes de alimentación comerciales o líneas de alta tensión.
 No utilice cableado aéreo. Todas estas instalaciones pueden resultar en un funcionamiento incorrecto.

● Cableado de la línea de alta tensión

Para los materiales de cableado de los cables de entrada de energía, utilice cables que tengan una resistencia menor que el máximo permitido, que se encuentra en la fórmula a continuación.

Para simplificar el método de cálculo en este ejemplo, éste se describe para la condición donde todos los detectores están instalados en un lugar que está más alejado del dispositivo de fuente de alimentación (para que se minimice la resistencia permitida).

Método de cálculo para la distancia del cable en una dirección de la unidad de fuente de alimentación a este detector

$$\text{Valor máximo permitido de resistencia para materiales de cableado } R [\Omega/\text{km}] = \frac{V_c - V_s}{1,2 \times (2 \times L) \times i}$$

V_c: Tensión de salida de la unidad de fuente de alimentación [V]
 V_s: Tensión mínima de funcionamiento de este dispositivo = 9 V
 L: Longitud del cable desde este dispositivo hasta la unidad de alimentación (km)
 i: Consumo actual de este dispositivo = 0,035 A

Tabla de cables

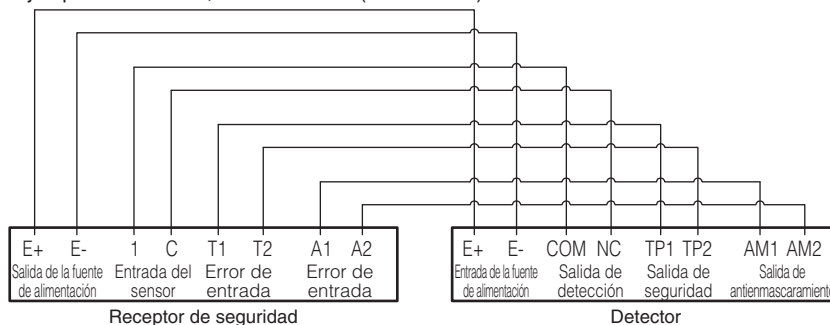
Cable unifilar (mm)	∅0,50	∅0,65	∅0,80	∅0,90	∅1,00	∅1,20
Cable unifilar (AWG)	24	22	20	19	18	16
Cable trenzado (mm ²)	0,20	0,40	0,50	0,75	0,90	1,30
Resistencia (Ω/km)	89	56	37	29	24	16

*Utilice un material de cableado entre AWG24 y AWG16.

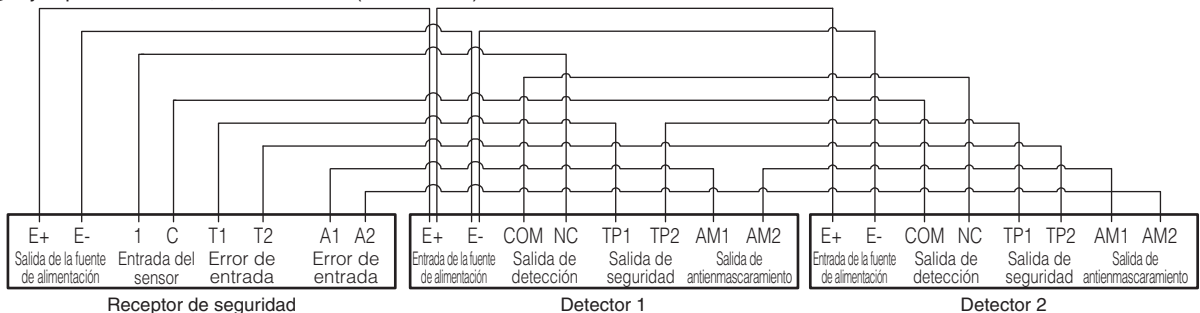
● Ejemplos de cable

Ejemplos de cableado SIR10SA

① Ejemplo de un canal, detector único (contacto 1b)

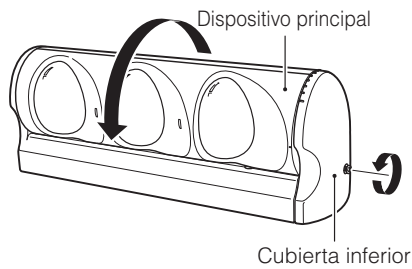


② Ejemplo de un canal, dos sensores (contacto 1b)

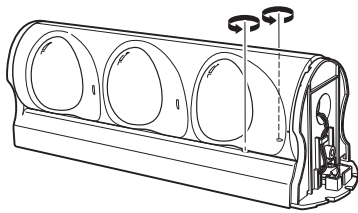


5. PROCEDIMIENTO DE INSTALACIÓN

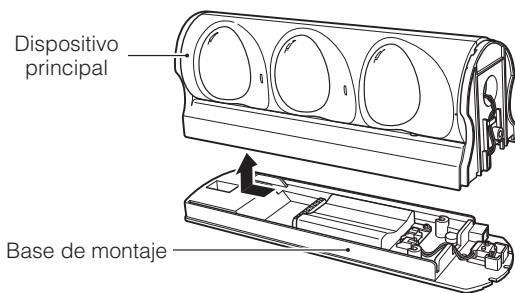
- 1** Quite la cubierta inferior y gire el dispositivo principal 90 grados.



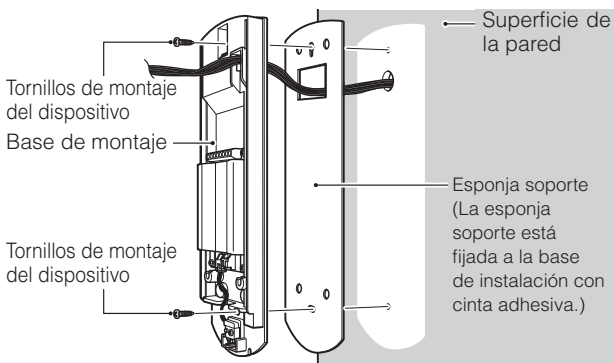
- 2** Afloje los dos tornillos.



- 3** Quite el dispositivo principal de la base de montaje.



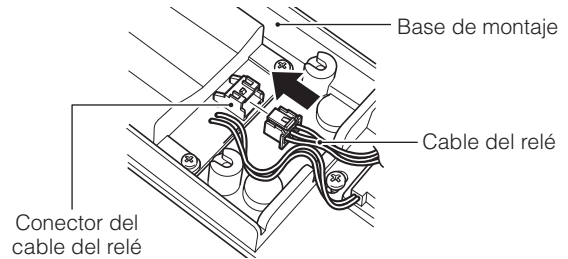
- 4** Use los tornillos de instalación del dispositivo para asegurar la base de instalación y la esponja a la superficie de la pared y, a continuación, conecte el cableado.



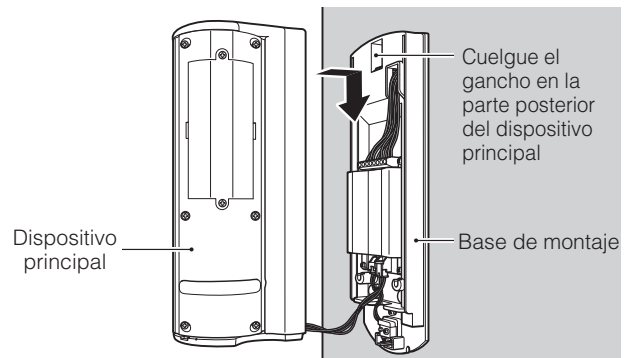
PRECAUCIÓN

Asegúrese de instalar el dispositivo principal de modo que quede paralelo a la superficie del suelo o el piso. Si está instalado en una inclinación, podría ocasionar un funcionamiento incorrecto o un desperfecto.

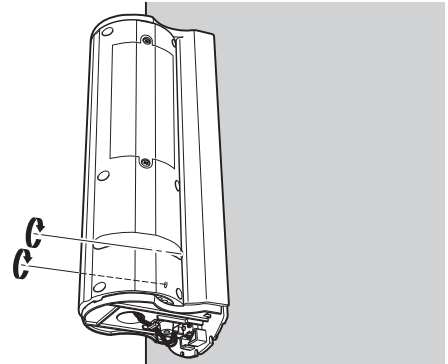
- 5** Conecte el cable del relé del dispositivo principal al conector de la base de montaje.



- 6** Ajuste el dispositivo principal.

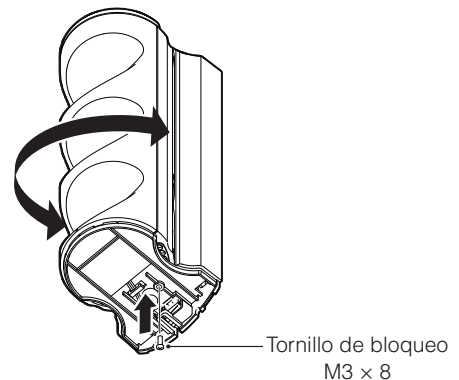


- 7** Ajuste los tornillos.



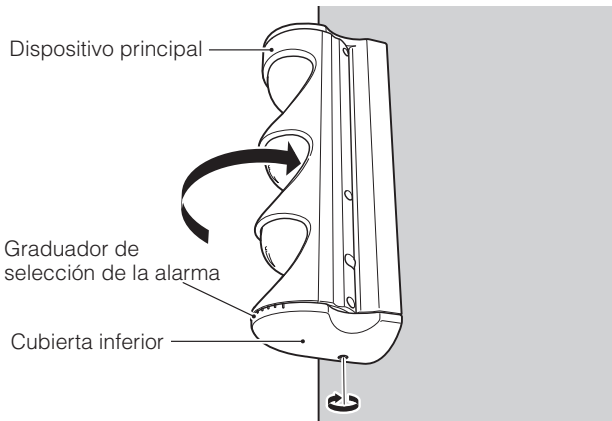
- 8** Sobre cómo utilizar el tornillo de bloqueo.

* El mecanismo de bloqueo de prevención de rotación será más fuerte si se usa el tornillo de bloqueo adjunto al decidir el área de detección del detector.



9 Alinee la dirección de la alarma y apriete el tornillo de la tapa inferior.

* Compruebe el índice de dirección de la alarma, para asegurarse de la dirección.



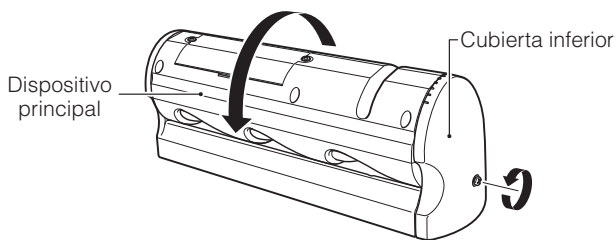
NOTAS

Si la salida de antienmascaramiento continúa incluso cuando no se ejecuta el enmascaramiento después de que la función de calentamiento haya finalizado, puede que la función de antienmascaramiento no se haya iniciado de forma correcta. En este caso, apague la alimentación y vuelva a conectarla de nuevo.

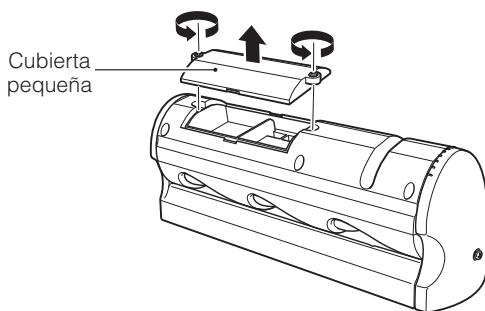
Puede que el LED de antienmascaramiento se ilumine mientras se está ejecutando la función de calentamiento, sin ser dicha iluminación indicativo de fallo.

6. USO EN MODO DE PASILLO CON MASCOTAS (El dispositivo está configurado por defecto en el modo ancho.)

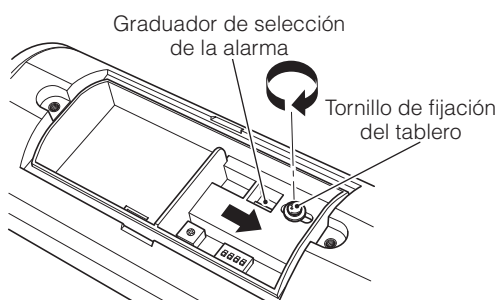
1 Afloje el tornillo de la cubierta inferior unos 5 mm y gire 180 grados.



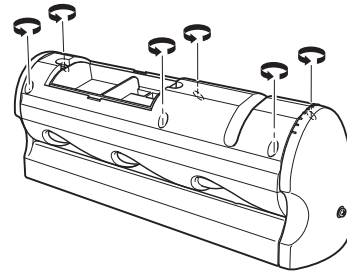
2 Afloje los dos tornillos y quite la cubierta pequeña.



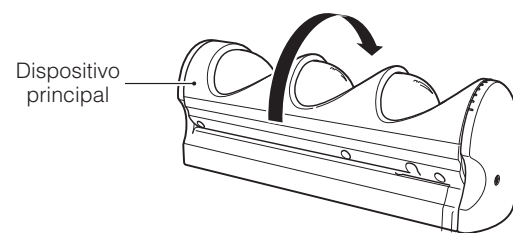
3 Afloje el tornillo de fijación del tablero, y deslícelo completamente en la dirección de la flecha. Compruebe que el índice de selección de la alarma esté en la posición "P" y, a continuación, apriete el tornillo de fijación del tablero.



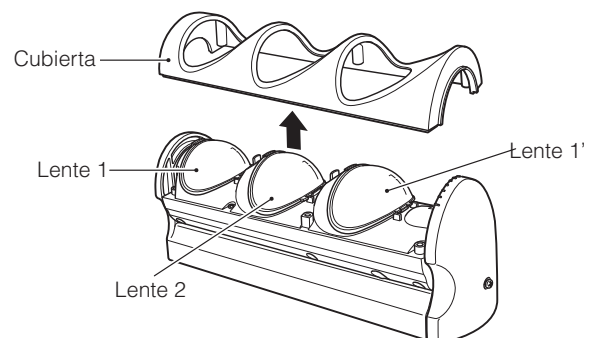
4 Afloje los seis tornillos de la cubierta.



5 Gire el dispositivo principal 180 grados de modo que quede hacia adelante.

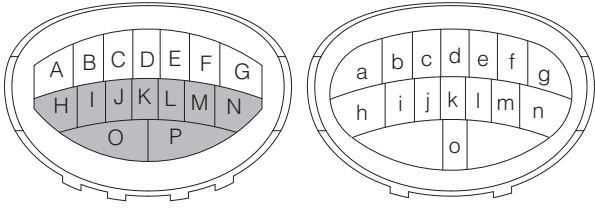


6 Quite la cubierta frontal.

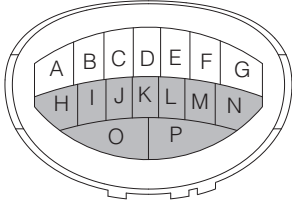


7 Quite la lente 1, 1' y fije cinta adhesiva al interior de la lente 1, 1'.

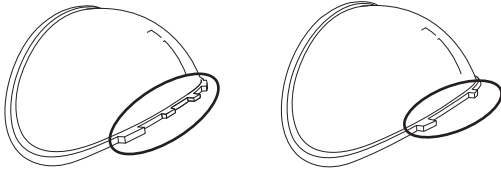
- Donde debe colocar la cinta adhesiva está marcado como "H" o "P" en la lente 1, 1'.



Configuración de la lente 1 Configuración de la lente 2

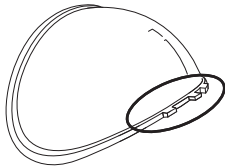


Configuración de la lente 1'



Lente 1

Lente 2



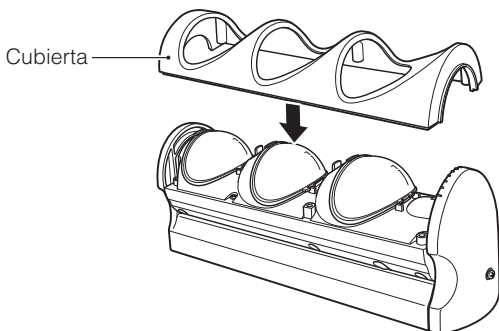
Lente 1'

PRECAUCIÓN

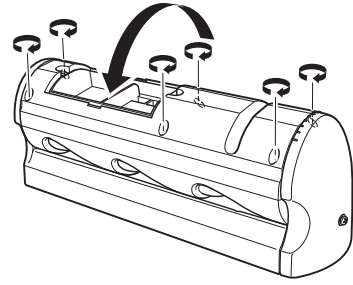
Las formas de proyección de las lentes 1, 1' y 2 son diferentes. Cuando monte las lentes, tenga cuidado de no confundirlas. Esto podría provocar un funcionamiento incorrecto o defectuoso.

Una vez que quitó la lente, no toque las piezas internas del dispositivo principal. Esto podría provocar un funcionamiento incorrecto o defectuoso.

8 Monte la cubierta frontal.

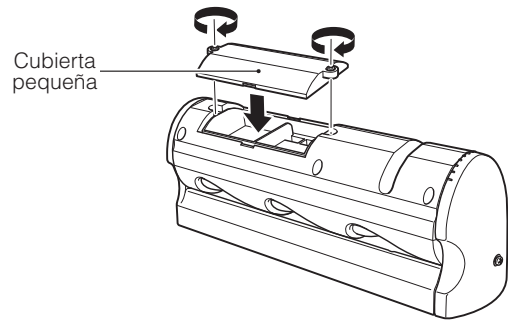


9 Gire el dispositivo principal 180 grados, y apriete los seis tornillos de la tapa.

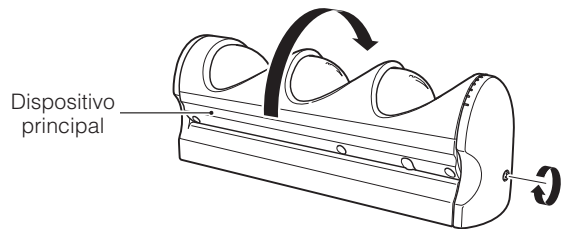


10 Vuelva a colocar la tapa pequeña y apriete los dos tornillos.

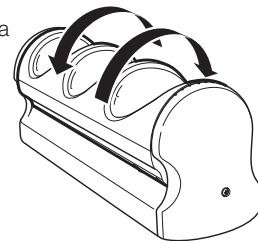
- * La tapa pequeña puede montarse en cualquier dirección.



11 Gire el dispositivo principal, alinee la dirección de la alarma y después ajuste los tornillos de la cubierta inferior para sujetarlo en su lugar.



Se puede rotar 180 grados hacia la izquierda.



Se puede rotar 135 grados hacia la derecha.

7. INTERRUPTORES DE AJUSTE

Realice el ajuste de los interruptores después de quitar la cubierta pequeña del dispositivo principal.



- Ajuste de volumen 1..... Sensibilidad
- Interruptores de ajuste 1 y 2.....Recuento de pulsos (Predeterminado: OFF, ON)
- Interruptor de ajuste 3Indicador LED (Predeterminado: ON)
- Interruptor de ajuste 4LED de precaución e indicador LED de antienmascaramiento (Predeterminado: OFF)

1. Función de selección de sensibilidad de detección (Volumen de sensibilidad)

Se puede ajustar la sensibilidad de detección del detector.

Rango: 50% - 100% - 150%

La sensibilidad de detección predeterminada es del 100%.

Funcionamiento: Cuando está ajustado en 100%, la sensibilidad de detección cuando se camina a 1 m/s en un ambiente de 35 °C es de 1,5 °C.

2. Función de recuento de pulsación (Interruptores de configuración 1 y 2)

La operación de detección se realiza por medio de un número de entradas de señales preestablecidas.

Selección de la función: Configure los interruptores de ajuste para seleccionar una de las cuatro funciones siguientes.

	Interruptor 1	Interruptor 2	N.º de señales
(Configuración predeterminada)	On	On	1
	Off	On	2
	On	Off	3
	Off	Off	4

Funcionamiento: Se cuenta el número de entradas de señal en 10 segundos y, si alcanzan un recuento preconfigurado, se realiza la operación de detección. Cuando pasan 10 segundos de la última señal de entrada, el valor del recuento se reinicia. Normalmente, cuando una persona pasa por una zona, se obtienen una o dos entradas de señal, pero si la diferencia de temperatura entre la persona y el fondo, ya sea una pared o el suelo, es pequeña, solamente se obtiene una señal. Por tanto, tenga este punto en cuenta cuando realice la configuración.

3. Función de selección del LED indicador (Interruptor de ajuste 3)

On : Los LED 1 y 2 de la alarma (rojos) suelen estar apagados y se encienden cuando detectan algo. (Configuración predeterminada)

Off : Los LED 1 y 2 de la alarma (rojos) suelen estar apagados y no se encienden cuando detectan algo.

4. LED de precaución e indicador LED de antienmascaramiento (Interruptor de ajuste 4)

En condiciones normales, los LED 1 y 2 de la alarma parpadean de forma alternativa. (una vez cada 2,5 segundos)

Tras la detección de antienmascaramiento, los LED 1 y 2 de la alarma parpadean de forma simultánea. (5 veces por segundo)

Los LED de la alarma se iluminan en intervalos diferentes dependiendo de si las condiciones son normales o si se ha detectado antienmascaramiento.

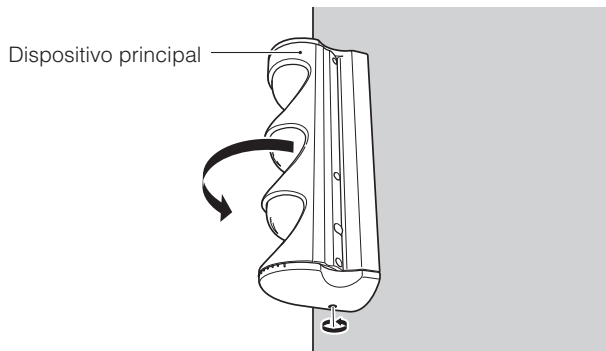
On : La alarma LED está en uso. Esta función puede utilizarse incluso cuando el indicador LED está apagado.

Off : La alarma LED no está en uso. (Configuración predeterminada)

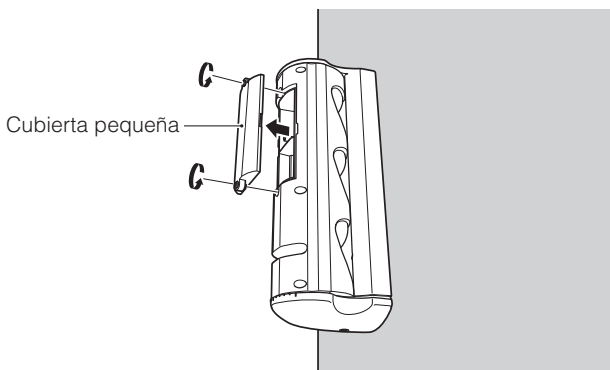
Montaje y Desmontaje de la cubierta pequeña

Remoción

- 1 Afloje el tornillo de la cubierta inferior unos 5 mm y gire 180 grados.



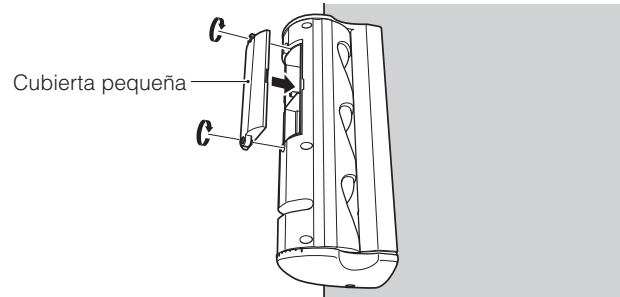
- 2 Afloje los dos tornillos y quite la cubierta pequeña.



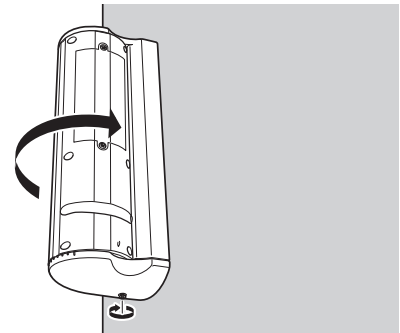
Montaje

- 1 Ajuste la cubierta pequeña, ajuste y asegure los dos tornillos.

* La cubierta pequeña puede montarse con la parte superior e inferior en cualquier dirección.



- 2 Gire el dispositivo principal, alinee la dirección de la alarma y después ajuste los tornillos de la cubierta inferior para sujetarlo en su lugar.



8. FUNCIONES AUXILIARES

1. Función de selección del sistema de detección

Modo ancho : instálelo a una altura de 2 a 3,0 m. En el ajuste por defecto está configurado el modo ancho.
 Modo de pasillo con mascotas : instálelo a una altura de 0,08 a 1,2 m. Se usa cuando el modo ancho puede detectar incorrectamente mascotas grandes.

2. Función de calentamiento

Selección de la función: Esta función siempre está activada sin importar la configuración del interruptor.
 Funcionamiento: Para estabilizar la función de detección del detector, no se realiza dicha función durante aproximadamente 50 segundos después de encendida la alimentación. Durante el calentamiento, los LED 1 y 2 de la alarma (rojos) parpadean una vez por segundo.

3. Función de autodiagnóstico

Esta función encuentra errores en el detector mismo.
 Selección de la función: Esta función siempre está activada sin importar la configuración del interruptor.
 Funcionamiento: Cuando se producen errores en el elemento o la unidad de amplificación de señal, los LED de alarma 1 y 2 (rojo) parpadean una vez durante un segundo, y siguen enviando la señal de alarma hasta que se apague la alimentación. En este caso, el dispositivo debe sustituirse.

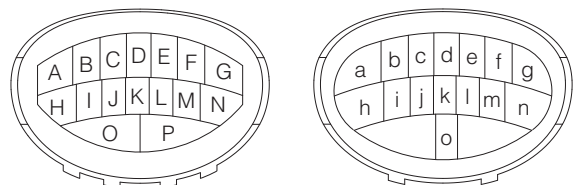
El detector y la función de antiensucamiento no funcionan cuando la función de autodiagnóstico se está ejecutando.

4. Tamper o Sabotaje

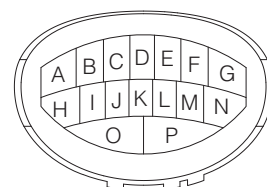
Esta función detecta la apertura y cierre de la cubierta inferior.
 Selección de la función : Esta función siempre está activada sin importar la configuración del interruptor.
 Funcionamiento : Mientras que la cubierta inferior se abre, se envía una señal de sabotaje.

5. Función de enmascaramiento

Si hay objetos en el área de detección (como árboles o unidades de aire acondicionado en el exterior) que puedan provocar falsas alarmas y un funcionamiento incorrecto, cubra la lente para desactivar ese sensor de detección. Coloque cinta adhesiva según el diagrama de la zona que se observa en "1.2 Área de detección".



Configuración de la lente 1 Configuración de la lente 2



Configuración de la lente 1'

6. Función de antienmascaramiento

Esta función detecta el enmascaramiento realizado sobre este dispositivo.

Selección de la función: Esta función siempre está activada sin importar la configuración del interruptor.

Funcionamiento : Cuando se realiza un enmascaramiento durante un minuto o más, el antienmascaramiento se transmite desde AM1 o AM2 al bloque de terminales.

Si el interruptor de configuración 4 está activado, los LED 1 y 2 de la alarma se iluminan cinco veces por segundo cuando el enmascaramiento se ha realizado durante tres segundos o más.

9. VERIFICACIÓN DEL FUNCIONAMIENTO DE LA PRUEBA DE RECORRIDO

- (1) La función de calentamiento se ejecuta durante 50 segundos después de encendido el dispositivo, y no se realiza la operación de detección. (El LED de alarma parpadea durante este tiempo.)
 - (2) Cuando finalice el calentamiento, camine a través del área de detección por los posibles caminos que seguiría un intruso.
- Si el LED de la alarma no se enciende, ajuste el área de detección, la sensibilidad y el recuento de pulsaciones y repita la verificación.

10. SOLUCIÓN DE PROBLEMAS

Si este detector no funciona correctamente, no se olvide de comprobar el voltaje de la alimentación y la polaridad. Si el detector sigue sin funcionar correctamente aunque se haya suministrado alimentación de forma correcta, encuentre la causa y la solución en la tabla a continuación.

Problema	Causa	Solución
El detector no funciona en absoluto. (El LED de la alarma rojo no se enciende.) El detector no funciona a veces.	La zona de detección está obstruida por un vidrio, una pantalla u otro objeto.	Mueva el obstáculo o reajuste el área de detección.
	El cable del relé no está conectado.	Conecte el cable del relé.
	El intruso no pasa por la zona de detección.	Reajuste la dirección del detector para que el intruso tenga que pasar por la zona de detección.
El detector está activado aunque no haya ningún intruso. (El LED de la alarma rojo se enciende.)	El detector se encuentra cerca de una fuente de interferencia eléctrica o el cableado está cerca de una fuente de alimentación o una línea eléctrica.	Cambie la ubicación de la instalación. Cambie la ubicación del cableado.
	Ha ocurrido un cambio repentino de temperatura	Mueva la fuente de calor o cubra la zona de lente correspondiente. Reajuste el área de detección.
	La luz solar, las luces de un automóvil u otra fuente de luz ha ingresado al entorno del detector o el área de detección.	Reajuste la zona de detección o cubra la zona de lente correspondiente.
	Hay árboles, ropa colgada u otros objetos en movimiento dentro del área de detección.	Retire el objeto móvil del área de detección o cubra la zona de lente correspondiente. Reajuste el área de detección. Cambie la ubicación de la instalación.
La salida de antienmascaramiento puede continuar aunque el enmascaramiento haya dejado de realizarse.	La función de antienmascaramiento no se ha iniciado de forma correcta.	Apague la alimentación y vuelva a conectarla de nuevo.
El LED de la alarma (rojo) se enciende, pero la alarma del receptor no emite.	El receptor no está en el estado de alarma.	Ajuste el receptor al estado de alarma.
El LED de la alarma parpadea continuamente (una vez cada segundo)	La función de autodiagnóstico se activa debido a un error del detector. El detector y la función de antienmascaramiento no funcionan cuando la función de autodiagnóstico se está ejecutando.	Sustituya la unidad del detector.

11. ÁREA DE DETECCIÓN

Diagrama de configuración de la zona de la lente 1, 1'

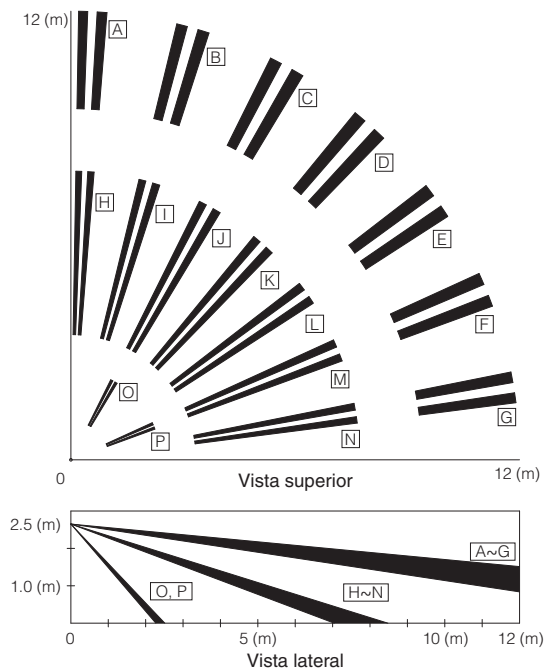


Diagrama de configuración de la zona de la lente 2

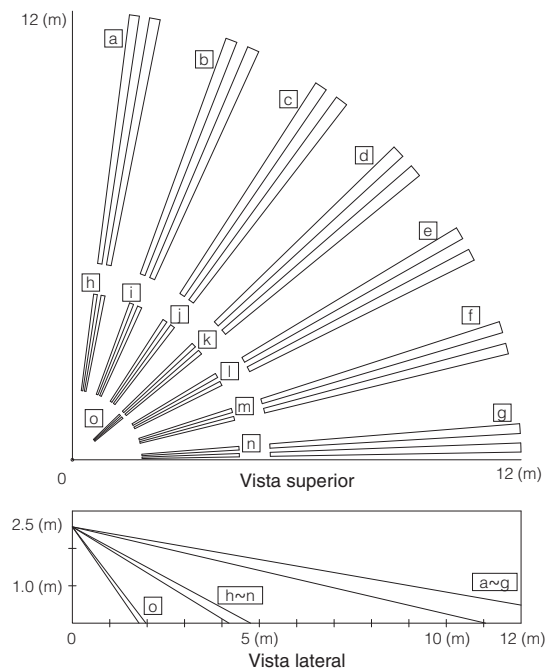


Diagrama del área de alarma ancha

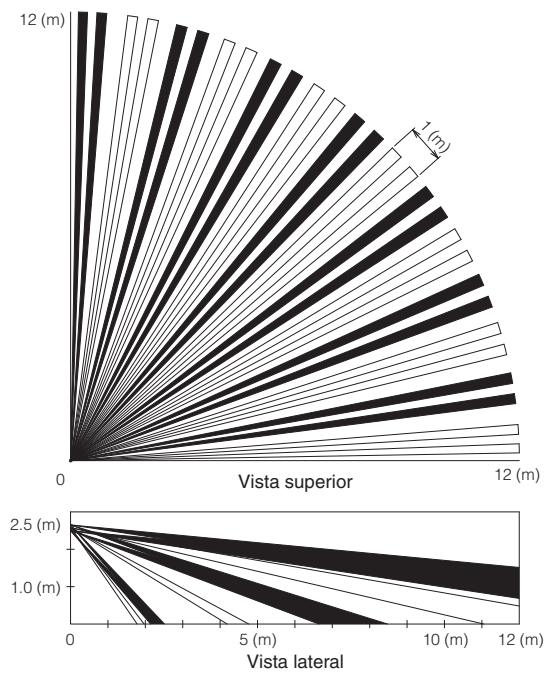
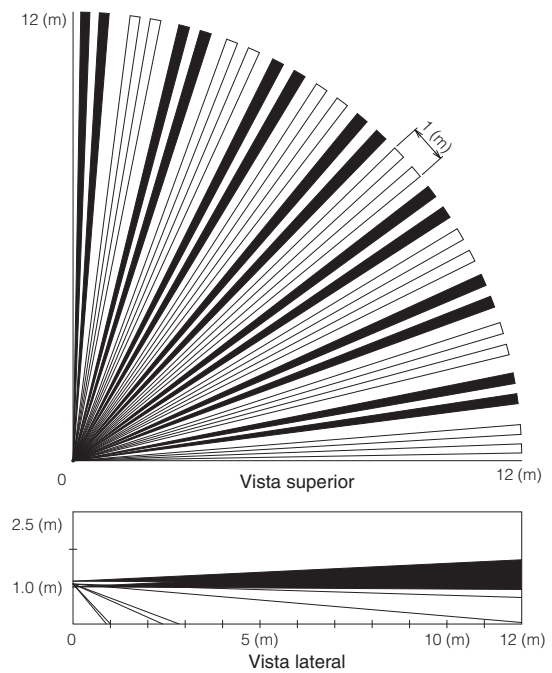
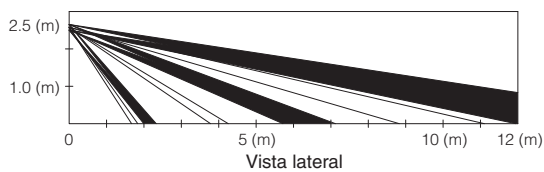


Diagrama del área de alarma de pasillo con mascotas



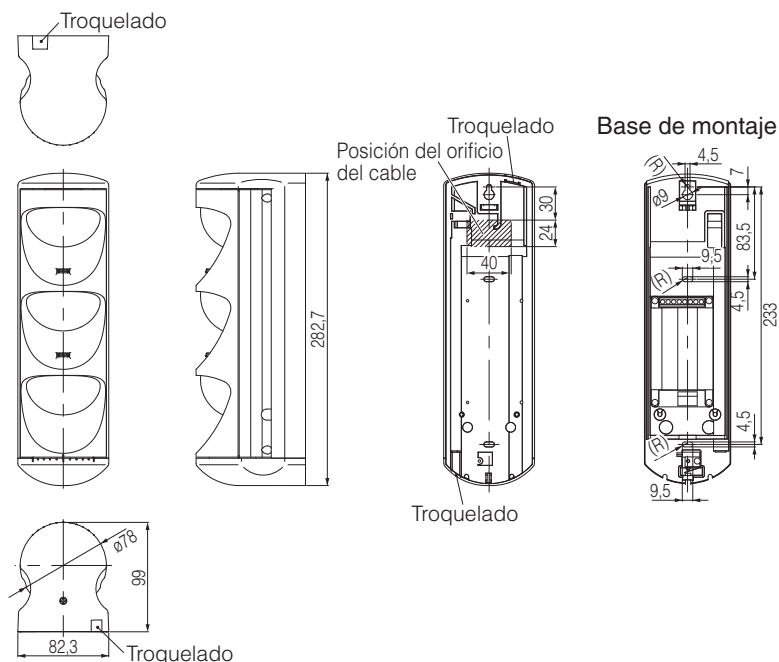
Cuando la placa se desliza hasta la parte superior (dirección opuesta de alarma no sensible a mascotas)



(La distancia máxima de la alarma es de 9 m.)

- Configure la altura de instalación del detector a 2,0 m o 3,0 m por encima del suelo o del terreno para el modo ancho y a 0,8 o 1,2 m por encima del suelo o del terreno para el modo de pasillo con mascotas.
- El área de detección puede ajustarse horizontalmente $\pm 45^\circ$, y la dirección vertical puede ajustarse deslizando el tablero.
- La zona de detección consta de las configuraciones de zona de las lentes 1, 1' y 2.

12. DIMENSIONES



13. ESPECIFICACIONES

Nombre del producto	Detector inteligente para exteriores	
Modelo	SIR10SA	
Alimentación	9 – 28 V CC	
Consumo de corriente	35 mA (máximo)	
Temperatura de funcionamiento y rango de humedad	-25 ~ +50 °C HR 95% o menos	
Temperatura de almacenamiento y rango de humedad	-30 ~ +60 °C HR 95% o menos	
Método de la alarma	Modo ancho	Modo de pasillo con mascotas
Altura de la instalación	2m ~ 3,0 m	0,8m ~ 1,2 m
Área de detección	12m, 84°	
Zona de detección (sector)	47 pares (94 sectores)	29 pares (58 sectores)
Método de detección	Sistema infrarrojo pasivo	
Luces indicadoras	LED de la alarma 1, = rojo LED de la alarma 2 = rojo Función de autodiagnóstico : Los LED 1 y 2 de la alarma parpadean una vez cada segundo Función de calentamiento : Los LED 1 y 2 de la alarma parpadean una vez cada segundo Al momento de detección : LED de alarma 1, 2 luz fija Antienmascaramiento : LED de la alarma 1, 2 parpadeando (5 veces por segundo) LED de precaución : Los LED 1 y 2 de la alarma se encienden de manera alternada.	Alta ↑ Prioridad ↓ Baja
Salida de detección	Contacto sin tensión (1b) Funcionamiento del contacto : Un impacto (3 segundos) Capacidad del contacto : 30 V CC 0,3 A (carga de resistencia) Resistencia de salida cuando está cerrado: 3 Ω o menos	
Sabotaje	Contacto sin tensión (1b) Funcionamiento del contacto : Cuando se quitó o se abrió la cubierta inferior Capacidad del contacto : 30 V CC 0,1 A (carga de resistencia) Resistencia de salida cuando está cerrado: 3 Ω o menos	
Salida de antienmascaramiento	Contacto sin tensión (1b) Funcionamiento del contacto : Cuando el antienmascaramiento se realiza durante un minuto o más Capacidad del contacto : 30 V CC 0,3 A (carga de resistencia) Resistencia de salida cuando está cerrado: 3 Ω o menos	
Velocidad de detección	0,3 ~ 2 m/seg	
Sensibilidad de detección	1,5 °C (diferencia de temperatura con el entorno) Velocidad de caminata : 1 m/seg Temperatura ambiente : +35 °C Ajuste de sensibilidad : 100%	
Rango de movimiento del dispositivo principal	Sentido horizontal ±45°	
Ubicación de la instalación	Interior/externo (IP55)	
Peso	800 g	
Color	Blanco DIC G-21	

14. COMPONENTES OPCIONALES

Los componentes adicionales que aparecen en la tabla a la derecha están disponibles para este detector. Se pueden adquirir por separado si los necesita.

Número del producto	Nombre del producto
PMK1	Juego de montaje para poste

- Las especificaciones de los componentes opcionales están sujetas a cambio sin notificación de las mejoras.

15. MANTENIMIENTO

Inspección diaria

- Si el detector está sucio, límpielo con un paño suave ligeramente humedecido con una solución jabonosa. Nunca utilice disolventes ni alcoholes.
- Realice una comprobación del funcionamiento de forma regular, aproximadamente una vez por semana. Además, compruebe el funcionamiento sin la cubierta de almacenamiento o las paredes bloquean las zonas de detección.

Inspección regular

- Realice una verificación que incluya el sistema una vez por año aproximadamente. Asegúrese de también verificar los siguientes puntos.
 - Es adecuado el voltaje de alimentación ?
 - Está funcionando correctamente la salida de alarma (Es correcta la resistencia de salida) ?
 - Está funcionando correctamente la salida de interferencia (Es correcta la resistencia de salida) ?
 - Está funcionando correctamente la salida de antienmascaramiento (Es correcta la resistencia de salida) ?

Las especificaciones y el diseño están sujetas a cambio sin previo aviso por la incorporación de mejoras. Atsumi garantiza la calidad de nuestros productos por un período de un año según las disposiciones de la garantía. Si se detectan defectos en este producto, comuníquese con el representante donde realizó la compra.



ATSUMI ELECTRIC CO., LTD.

4-2-2 Shin-Miyakoda, Kitaku, Hamamatsu, Shizuoka 431 2103 Japan
Phone: (81)53-428-4116 Fax: (81)53-428-4119



ATSUMI ELECTRIC CO., LTD.

4-2-2 Shin-Miyakoda, Kitaku, Hamamatsu, Shizuoka 431 2103 Japan
Phone: (81)53-428-4116 Fax: (81)53-428-4119

Systeme de detection d'intrusion
Systeme de surveillance automatique

Detecteur d'exterieur intelligent

SIR10SA

Tri Watcher®

Manuel d'installation

Nous vous remercions d'utiliser ce systeme de detection d'intrusion Atsumi : Detecteur d'exterieur intelligent. Veuillez lire attentivement ce manuel avant de proceder a l'installation pour garantir une installation correcte. Ensuite, conservez ce manuel en lieu sur pour future reference.

<Décharge de responsabilité>

Ce capteur est un dispositif conçu pour la détection des intrusions illicites, mais il ne s'agit pas d'un dispositif antivol. Ce produit doit être utilisé en réalité par le client comme élément d'un système de sécurité complet.

Atsumi décline toute responsabilité pour tout dommage résultant d'un vol ou d'autres causes.

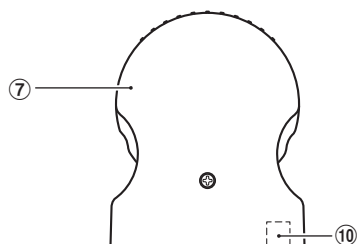
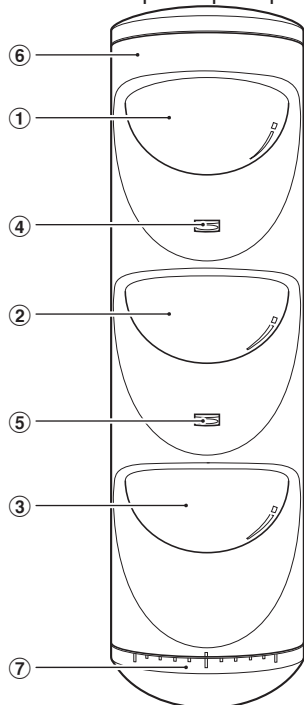
1. COMPOSANTS DU PRODUIT

Les composants du produit sont indiqués dans le tableau ci-dessous. Vérifiez que tous les composants sont inclus avant de commencer l'installation.

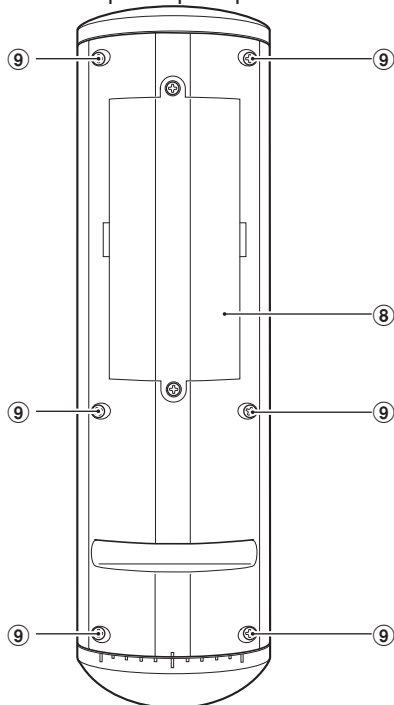
Composant	Quantité
Dispositif principal	1
Vis d'installation du dispositif principal (diamètre nominal 4 x 30)	2
Ruban-cache de l'objectif 1	2
Vis de verrouillage (diamètre nominal M3x8)	1
Manuel d'installation (ce manuel)	1
Ruban-cache de l'objectif 2	1

2. NOMENCLATURE ET FONCTION DES PIÈCES

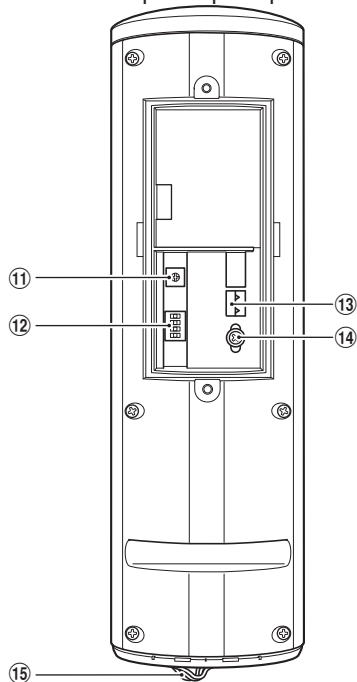
Avant du dispositif principal



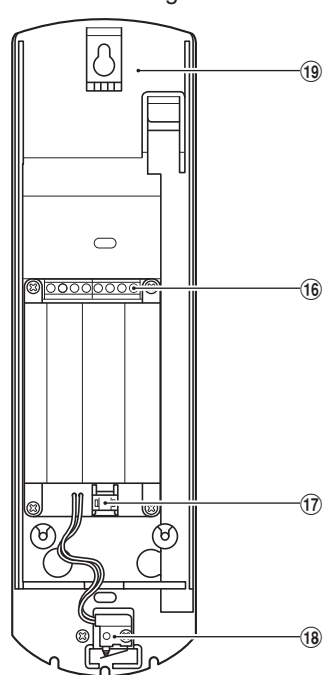
Arrière du dispositif principal



Arrière du dispositif principal



Base de montage



- ① **Objectif 1**
Cette lentille permet de capter la chaleur dans la zone de détection.
- ③ **Objectif 2**
Cette lentille permet de capter la chaleur dans la zone de détection.
- ③ **Objectif 1'**
Cette lentille permet de capter la chaleur dans la zone de détection.
- ④ **DEL d'alarme 1**
Ce voyant DEL s'allume ou clignote en rouge pour indiquer l'état de fonctionnement du dispositif.
- ⑤ **DEL d'alarme 2**
Ce voyant DEL s'allume ou clignote en rouge pour indiquer l'état de fonctionnement du dispositif.
- ⑥ **Couvercle**
Il s'agit du couvercle frontal du dispositif.
- ⑦ **Couvercle inférieur**
Il s'agit du couvercle inférieur du dispositif.
- ⑧ **Petit couvercle**
Il s'agit du couvercle des interrupteurs de réglage.
- ⑨ **Vis du couvercle**
Ces vis sont utilisées pour fixer le couvercle.
- ⑩ **Entrée défonçable**
Cassez cette ouverture défonçable pour raccorder le câblage au mur.
- ⑪ **Volume de sensibilité**
Permet d'ajuster la sensibilité de la détection.
- ⑫ **Commutateurs DIP**
Utilisés pour régler les différentes fonctions du dispositif.
- ⑬ **Indicateur du mode d'alarme**
Il indique le mode d'alarme.



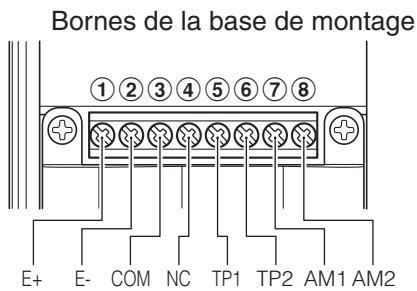
Mode étendu



Mode animaux domestiques

- ⑭ **Vis de fixation du panneau**
Il s'agit d'une vis pour la fixation de la plaque en place.
- ⑮ **Câble de relais**
Il s'agit du câble qui raccorde le dispositif principal à la base de montage.
- ⑯ **Bornes**
Bornes pour connecter les câbles à d'autres appareils.
- ⑰ **Connecteur du câble de relais**
Il s'agit du connecteur pour connecter le câble de relais en provenance du dispositif principal.
- ⑱ **Interrupteur antisabotage**
Il s'agit d'un interrupteur qui permet de détecter l'ouverture et la fermeture du couvercle inférieur.
- ⑲ **Base de montage**
Cet élément est utilisé pour le montage de ce dispositif sur un mur ou un autre objet.

3. NOMENCLATURE ET FONCTION DES BROCHES



Symbole/Nom de la borne	Fonction
Entrée d'alimentation (①:E+, ②:E-)	Il s'agit d'une entrée d'alimentation comprise entre 9 V et 28 V CC. Elle ne possède aucune la polarité.
Sortie d'alarme (③:COM, ④:NC)	C'est la sortie sans tension 1b. La capacité permise du contact est de 30 V CC / 0,3 A (charge résistive). *En cas de coupure de l'alimentation, la sortie s'ouvre.
Sortie antisabotage (⑤:TP1, ⑥:TP2)	C'est la sortie sans tension du contact 1b. La capacité permise du contact est de 30 V CC / 0,1 A (charge résistive).
Sortie anti-masque (⑦:AM1, ⑧:AM2)	C'est la sortie sans tension 1b. La capacité permise du contact est de 30 V CC / 0,3 A (charge résistive). *En cas de coupure de l'alimentation, la sortie s'ouvre.

4. MATÉRIELS ET MÉTHODES DE CÂBLAGE

ATTENTION!

Ne câblez pas le dispositif à proximité d'une forte source de bruit.
Ne câblez pas en parallèle sur des alimentations ou des lignes électriques commerciales.
N'utilisez pas de câblage aérien. Toutes ces installations pourraient provoquer un dysfonctionnement.

● Câblage de la ligne d'alimentation

Pour le câblage de l'entrée d'alimentation, utilisez des fils qui possèdent une résistance inférieure à la résistance maximale permise exprimée par la formule ci-dessous.

Pour simplifier la méthode de calcul dans cet exemple, on considère que tous les détecteurs sont installés à l'endroit le plus éloigné de l'unité d'alimentation (afin de réduire la résistance permise).

Méthode de calcul pour déterminer la longueur du fil dans une direction entre l'unité d'alimentation et ce détecteur

$$\text{Valeur de la résistance maximale permise pour le matériel de câblage R} [\Omega/\text{km}] = \frac{V_c - V_s}{1,2 \times (2 \times L) \times i}$$

V_c : tension de sortie de l'unité d'alimentation [V]
 V_s : tension minimale de fonctionnement de ce dispositif = 9 V
 L : longueur du câble entre le dispositif et la source d'alimentation (km)
 i : consommation du dispositif = 0,035 A

Tableau des fils

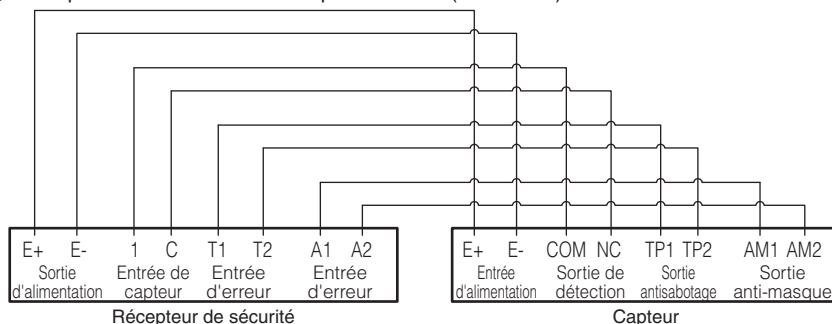
Fil simple (mm)	ø0,50	ø0,65	ø0,80	ø0,90	ø1,00	ø1,20
Fil simple (AWG)	24	22	20	19	18	16
Fil torsadé (mm ²)	0,20	0,40	0,50	0,75	0,90	1,30
Résistance (Ω/km)	89	56	37	29	24	16

* Utilisez du matériel de câblage compris entre AWG24 et AWG16.

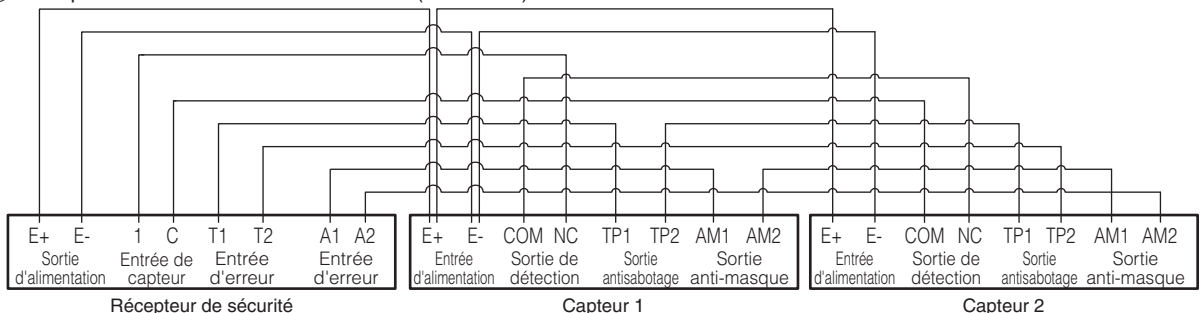
● Exemples de fil

Exemples de câblage SIR10SA

① Exemple d'un canal avec un unique détecteur (contact 1b)

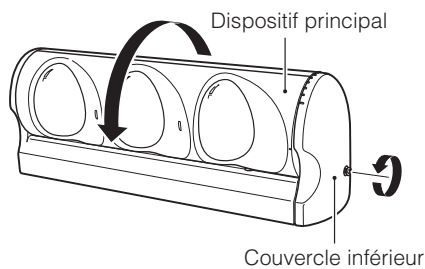


② Exemple d'un canal avec deux détecteurs (contact 1b)

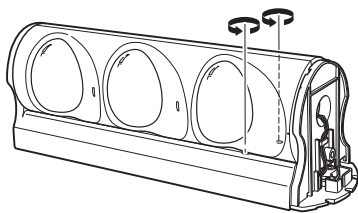


5. PROCÉDURE D'INSTALLATION

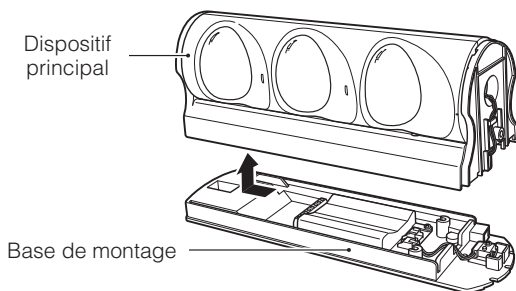
- 1** Enlevez le couvercle inférieur et faites pivoter le dispositif principal de 90 degrés.



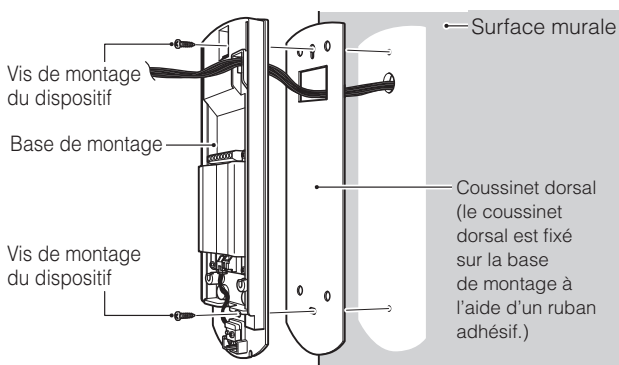
- 2** Dévissez les deux vis.



- 3** Enlevez le dispositif principal de la base de montage.



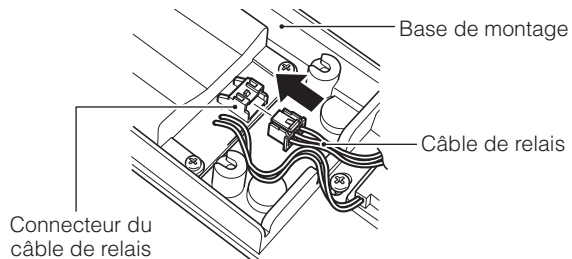
- 4** Utilisez les vis de montage du dispositif pour fixer au mur la base de montage et le coussinet dorsal et connectez le câblage.



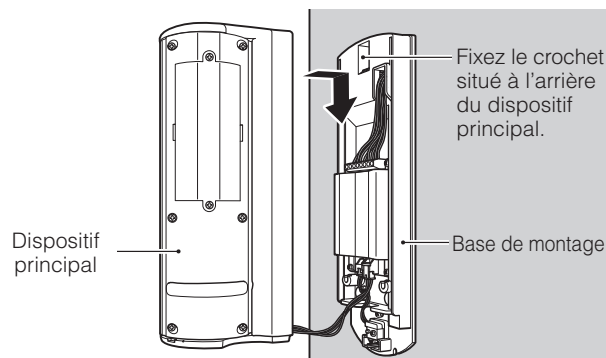
ATTENTION!

Assurez-vous d'installer le dispositif de montage de manière à ce qu'il soit parallèle au sol ou au plancher. S'il est installé avec une inclinaison, un dysfonctionnement ou une panne pourrait se produire.

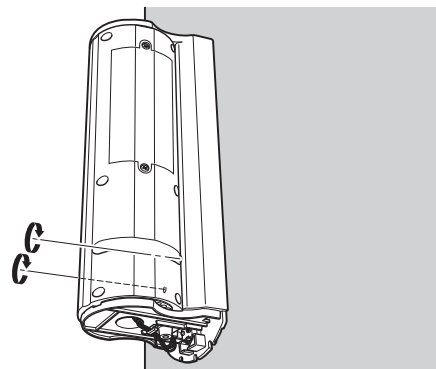
- 5** Raccordez le câble de relais du dispositif principal au connecteur de la base de montage.



- 6** Fixez le dispositif principal.

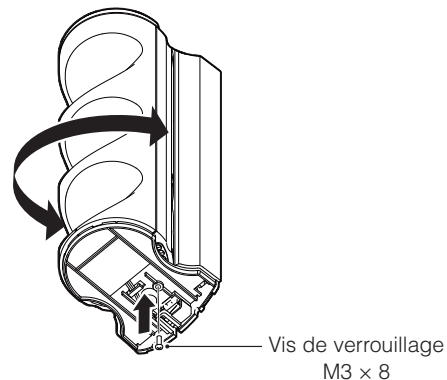


- 7** Serrez les vis.



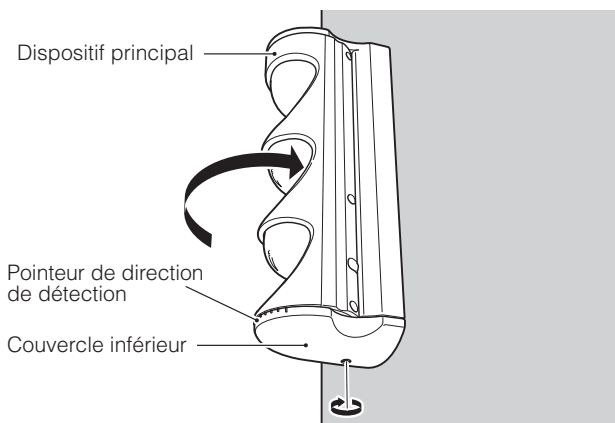
- 8** Utilisation de la vis de verrouillage.

* Le mécanisme de verrouillage de la partie rotative sera renforcé en utilisant la vis de verrouillage jointe au moment de sélectionner la zone de détection du détecteur.



9 Orientez la direction de l'alarme et serrez la vis du couvercle inférieur.

* Vérifiez l'indicateur de direction de l'alarme pour vous assurer de la direction.



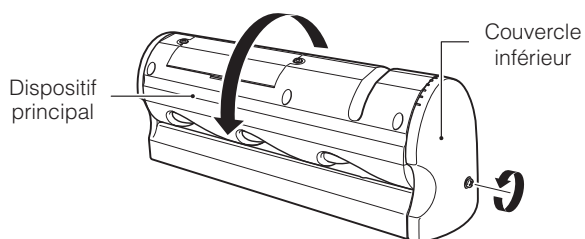
REMARQUES

Si la sortie anti-masque est maintenue, même lorsqu'aucun masque n'est mis en place après la fin de la fonction de mise en route, la fonction anti-masque n'a peut-être pas été initialisée normalement. Dans ce cas, coupez l'alimentation puis rétablissez-la.

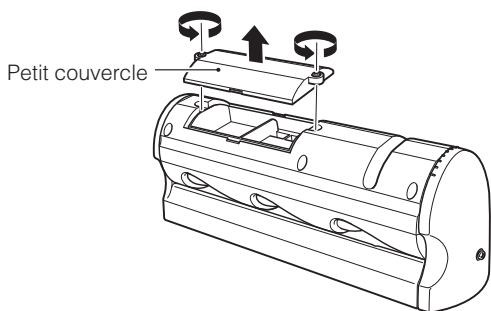
La DEL anti-masque peut être allumée pendant que la fonction de mise en route s'exécute, mais cela ne constitue pas un signe de dysfonctionnement.

6. UTILISATION DU MODE ANIMAUX DOMESTIQUES (Le dispositif est réglé par défaut sur le mode étendu).

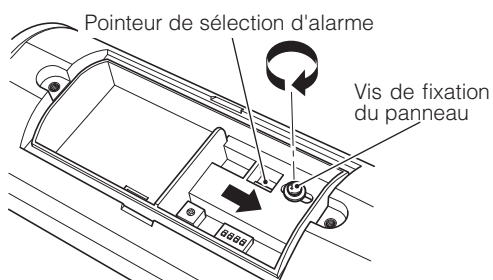
1 Dévissez la vis du couvercle inférieur d'environ 5 mm et faites pivoter le châssis de 180 degrés.



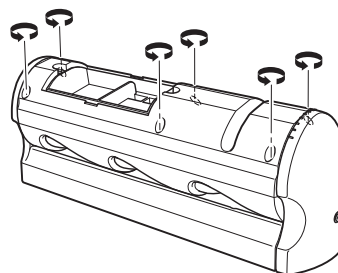
2 Dévissez les deux vis et enlevez le petit couvercle.



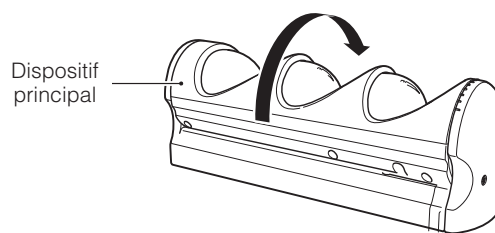
3 Desserrez la vis de fixation du panneau et faites coulisser dans le sens de la flèche. Vérifiez que l'indicateur d'alarme se trouve sur la position « P », puis resserrez la vis de fixation du panneau.



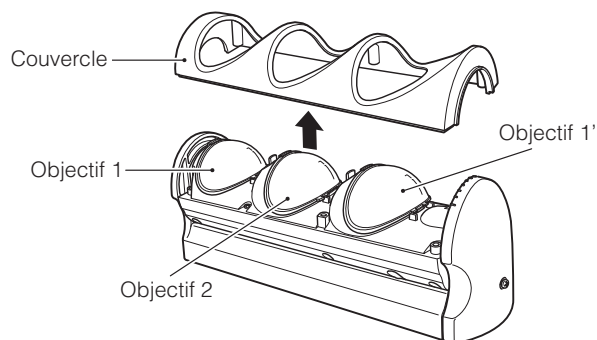
4 Dévissez les six vis du couvercle.



5 Faites pivoter le dispositif principal de 180 degrés de manière à ce qu'il soit dirigé vers l'avant.

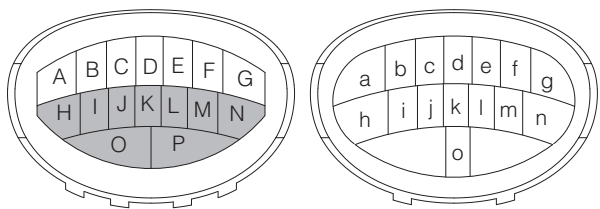


6 Enlevez le couvercle frontal.

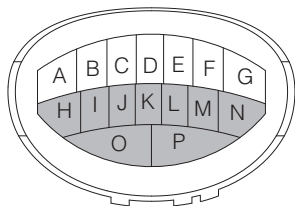


7 Enlevez l'objectif 1, 1' et collez du ruban-cache à l'intérieur de l'objectif 1, 1'.

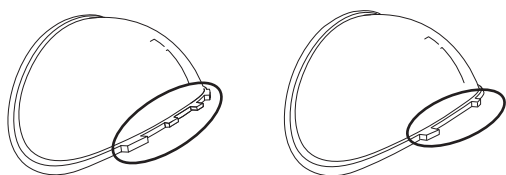
- Les emplacements à cacher sont de « H » à « P » sur l'objectif 1, 1'.



Configuration de l'objectif 1 Configuration de l'objectif 2

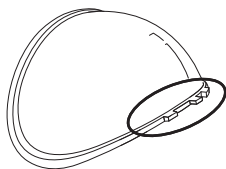


Configuration de l'objectif 1'



Objectif 1

Objectif 2



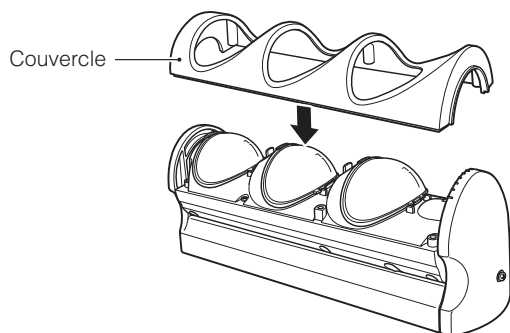
Objectif 1'

ATTENTION!

La forme des protubérances des lentilles 1, 1' et 2 est différente. Lors du montage des objectifs, faites attention de ne pas les confondre. Cela pourrait provoquer un dysfonctionnement ou une panne.

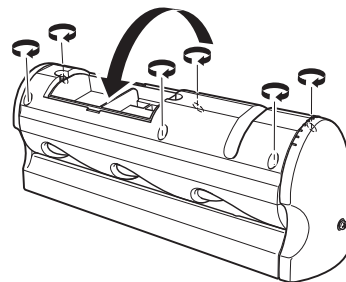
Après avoir démonté l'objectif, ne touchez pas les pièces internes du dispositif principal. Cela pourrait provoquer un dysfonctionnement ou une panne.

8 Montez le couvercle frontal.



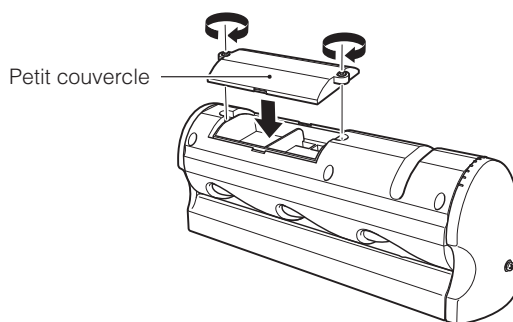
Couvercle

9 Faites pivoter le dispositif principal de 180 degrés et resserrez les six vis du couvercle.



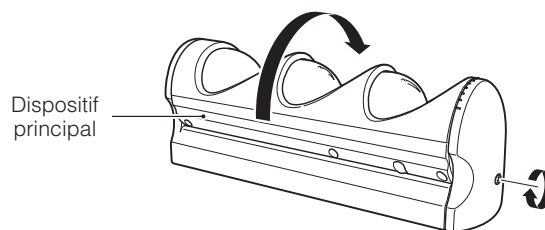
10 Remettez le petit couvercle en place et resserrez les deux vis.

- * Le petit couvercle peut être monté dans les deux sens.



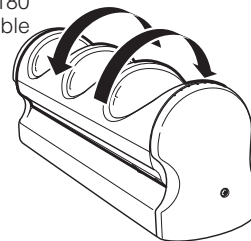
Petit couvercle

11 Faites pivoter le dispositif principal, alignez la direction de détection, puis serrez les vis du couvercle inférieur pour le fixer.



Dispositif principal

Une rotation de 180 degrés est possible vers la gauche.



Une rotation de 135 degrés est possible vers la droite.

7. COMMUTATEURS DE CONFIGURATION

Configurez les commutateurs après avoir enlevé le petit couvercle du dispositif principal.



- Réglage du volume 1.....Sensibilité
- Commutateurs de configuration 1 et 2 Compteur d'impulsion (défaut : ARRÊT, MARCHE)
- Commutateur de configuration 3 Indicateur DEL (défaut : MARCHE)
- Commutateur de configuration 4 DEL de précaution et indicateur DEL anti-masque (défaut : ARRÊT)

1. Fonction de sélection de la sensibilité de détection (Volume de sensibilité)

La sensibilité de détection du détecteur est ajustable.
 Plage : 50% - 100% - 150%
 La sensibilité de détection est de 100 % par défaut.
 Fonctionnement: Lorsqu'elle est réglée sur 100 %, la sensibilité de détection est de 1,5°C pour un déplacement à 1 m/s sous 35°C.

2. Fonction du compteur d'impulsion (Commutateurs de configuration 1 et 2)

La détection se déclenche en fonction d'un nombre prédéfini d'entrées de signal.
 Sélection de fonction : réglez les commutateurs de configuration pour sélectionner l'un des quatre types ci-dessous.

	Commutateur 1	Commutateur 2	Nbre de signaux
(Réglage par défaut)	Marche	Marche	1
	Arrêt	Marche	2
	Marche	Arrêt	3
	Arrêt	Arrêt	4

Fonctionnement: Le nombre d'entrées de signal en 10 secondes est comptabilisé. S'il atteint un nombre prédéfini, le processus de détection se déclenche. 10 secondes après la dernière entrée de signal, la valeur du compteur est réinitialisée.
 Normalement, lorsqu'une personne pénètre dans une zone, cela correspond à un ou deux signaux mais si l'écart de température est faible entre la personne et le mur ou le sol en arrière plan, un seul signal est obtenu. Par conséquent, pensez-y lors de la configuration de ce réglage.

3. Fonction de sélection de l'indicateur DEL (Commutateur de configuration 3)

Marche : les DEL 1 et 2 de l'alarme (rouges) sont normalement éteintes et elles s'allument lors de la détection. (Réglage par défaut)
 Arrêt : les DEL 1 et 2 de l'alarme (rouges) sont normalement éteintes et elles ne s'allument pas lors de la détection.

4. DEL de précaution et indicateur DEL anti-masque (Commutateur de configuration 4)

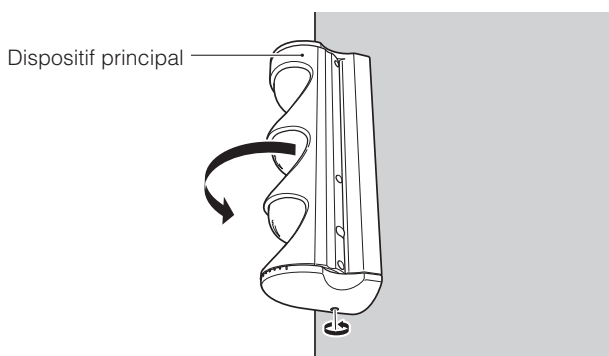
Dans des conditions normales, les DEL 1 et 2 de l'alarme s'allument alternativement. (une fois toutes les 2,5 secondes)
 Lors de la détection d'anti-masque, les DEL 1 et 2 de l'alarme se mettent à clignoter simultanément. (5 fois par seconde)
 Les DEL de l'alarme clignotent à intervalles différents si le fonctionnement s'effectue dans des conditions normales ou si un anti-masque est détecté.
 Marche : l'alarme DEL est utilisée. Cette fonction peut être utilisée même lorsque l'indicateur LED est éteint.
 Arrêt : l'alarme DEL n'est pas utilisée. (Réglage par défaut)

Français

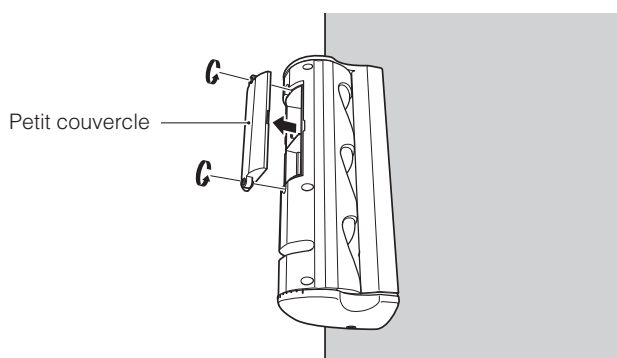
Montage et démontage du petit couvercle

Démontage

- 1 Dévissez la vis du couvercle inférieur d'environ 5 mm et faites pivoter le châssis de 180 degrés.



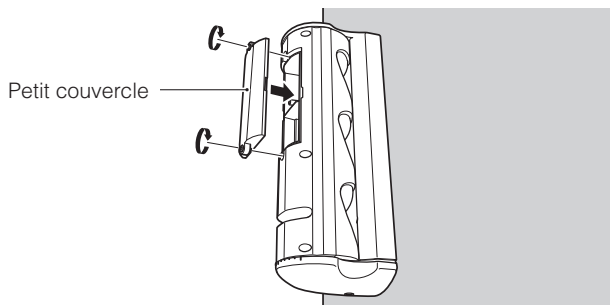
- 2 Dévissez les deux vis et enlevez le petit couvercle.



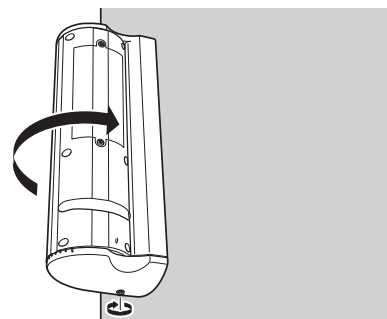
Montage

- 1 Fixez le petit couvercle et serrez les deux vis.

* Le petit couvercle peut être monté avec le haut et le bas dans n'importe quel sens.



- 2 Faites pivoter le dispositif principal, alignez la direction de détection, puis serrez les vis du couvercle inférieur pour le fixer.



8. FONCTIONS AUXILIAIRES

1. Fonction de sélection du système de détection

Mode étendu : installez à une hauteur comprise entre 2 m et 3 m. Le mode étendu est défini par défaut.

Mode animaux domestiques : installez à une hauteur comprise entre 0,8 m et 1,2 m. Ce mode est utilisé quand des animaux de grande taille peuvent être détectés à tort en mode étendu.

2. Fonction de mise en route

Sélection de fonction : cette fonction est toujours activée, quel que soit le réglage du commutateur.

Fonctionnement : Pour stabiliser la fonction de détection du détecteur, la détection est inactive pendant environ 50 secondes après la mise sous tension. Pendant la mise en route, les DEL 1 et 2 de l'alarme (rouges) clignotent toutes les secondes.

3. Fonction d'autodiagnostic

Cette fonction détecte les erreurs du capteur lui-même.

Sélection de fonction : cette fonction est toujours activée, quel que soit le réglage du commutateur.

Fonctionnement : Lorsqu'une erreur se produit dans l'élément ou l'unité d'amplification de signal, les voyants d'alarme DEL 1 et 2 clignotent en rouge une fois par seconde et continuent à envoyer la sortie d'alarme jusqu'à ce que l'alimentation soit coupée. Dans ce cas, le dispositif doit être remplacé.

Le détecteur et la fonction anti-masque ne fonctionnent pas tant que la fonction d'autodiagnostic s'exécute.

4. Fonction antisabotage

Cette fonction détecte l'ouverture et la fermeture du couvercle inférieur.

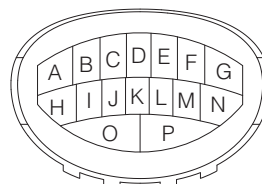
Sélection de fonction : cette fonction est toujours activée, quel que soit le réglage du commutateur.

Fonctionnement : lorsque le couvercle inférieur est ouvert, la sortie antisabotage est activée.

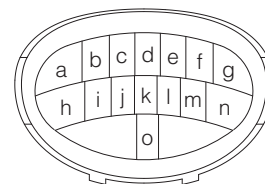
5. Fonction masque

En cas de présence d'éléments dans la zone de détection (comme des arbres et des unités extérieures de climatisation) pouvant déclencher de fausses alarmes ou générer des défaillances, masquez la lentille afin de désactiver la détection de ce secteur.

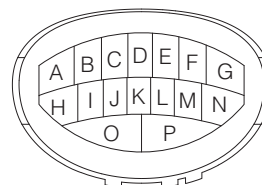
Collez du ruban-cache conformément au diagramme de zone indiqué dans « 12. Espace de détection ».



Configuration de l'objectif 1



Configuration de l'objectif 2



Configuration de l'objectif 1'

6. Fonction anti-masque

La fonction détecte le masque mis en place pour ce dispositif.

Sélection de fonction : cette fonction est toujours activée, quel que soit le réglage du commutateur.

Fonctionnement: lorsque le masque est mis en place pendant une minute ou plus, l'anti-masque est émis depuis AM1 ou AM2 sur le bloc de bornes.

Si l'interrupteur de réglage 4 est sur MARCHE, les DEL 1 et 2 de l'alarme clignotent cinq fois par seconde lorsqu'un masque est mis en place pendant trois secondes ou plus.

9. DE LA VÉRIFICATION DU FONCTIONNEMENT AU TEST DE MARCHE

- (1) La fonction de mise en route s'exécute pendant 50 secondes après la mise sous tension et la détection est inopérante. (La DEL de l'alarme clignote pendant cette période.)
- (2) Une fois la mise en route terminée, traversez l'espace de détection sur le parcours potentiel d'un intrus.
 - Si la DEL de l'alarme ne s'allume pas, reconfigurez l'espace de détection, la sensibilité et le compteur d'impulsion, puis répétez la vérification du fonctionnement.

10. DÉPANNAGE

En cas de dysfonctionnement du détecteur, vérifiez la tension délivrée et la polarité. Si le détecteur est correctement alimenté et que le dysfonctionnement persiste, veuillez vous référer au tableau des problèmes et solutions ci-dessous.

Symptôme	Cause	Solution
Le détecteur ne fonctionne pas du tout. (La DEL de l'alarme (rouge) ne s'allume pas.) Parfois, le détecteur ne fonctionne pas.	Une vitre, un écran ou d'autres obstacles bloquent la zone de détection.	Déplacez l'obstacle ou reconfigurez l'espace de détection.
	Le câble de relais n'est pas connecté.	Connectez le câble de relais.
	L'intrus ne passe pas dans la zone de détection.	Réajustez la direction du détecteur de manière à ce que tout intrus passe dans la zone de détection.
Le capteur est activé même en l'absence d'intrusion. (La DEL de l'alarme (rouge) est allumée)	Le capteur est situé à proximité d'une source de bruit électrique, ou bien le câblage passe à côté d'une source ou d'une ligne d'alimentation.	Modifiez l'emplacement de l'installation. Modifiez l'emplacement du câblage.
	Un brusque changement de température s'est produit.	Déplacez la source de chaleur ou masquez la zone correspondante de la lentille. Reconfigurez l'espace de détection.
	Les rayons du soleil, des phares automobiles ou d'autres sources lumineuses ont atteint l'arrière-plan du capteur ou l'espace de détection.	Réajustez la zone de détection ou masquez la zone correspondante de la lentille.
	Des arbres, du linge ou d'autres objets se déplacent dans l'espace de détection.	Déplacez les objets mobiles de la zone de détection ou masquez la zone correspondante de la lentille. Reconfigurez l'espace de détection. Modifiez l'emplacement de l'installation.
La sortie anti-masque est maintenue même lorsqu'aucun masque n'est mis en place.	La fonction anti-masque n'a pas été correctement initialisée.	Coupez l'alimentation puis rétablissez-la.
La DEL de l'alarme (rouge) s'allume, mais l'alarme du récepteur n'est pas activée.	Le récepteur n'est pas en état de détection.	Configurez le récepteur en état de détection.
La DEL de l'alarme (rouge) clignote (une fois par seconde) en permanence.	La fonction d'autodiagnostic est activée du fait d'une erreur du détecteur. Le détecteur et la fonction anti-masque ne fonctionnent pas tant que la fonction d'autodiagnostic s'exécute.	Remplacez le détecteur.

11. ESPACE DE DÉTECTION

Diagramme de configuration de la zone de l'objectif 1, 1'

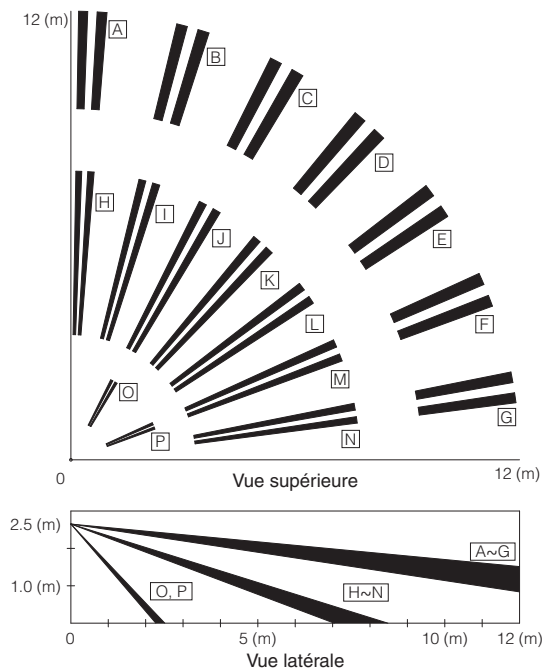


Diagramme de configuration de la zone de l'objectif 2

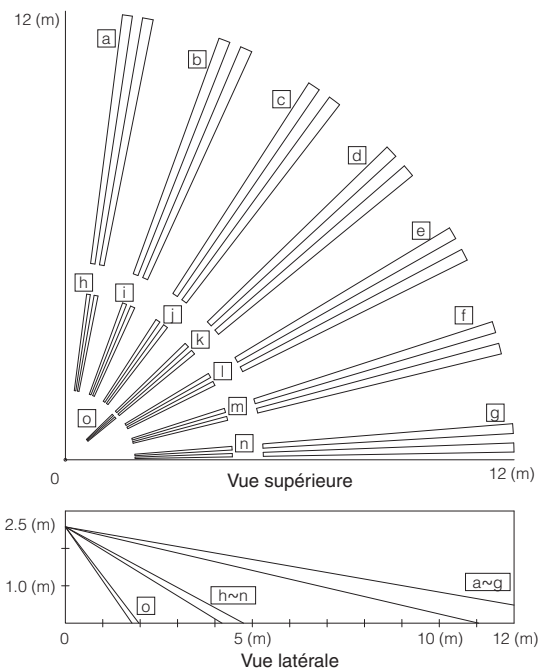


Schéma de la zone d'alarme en mode étendu

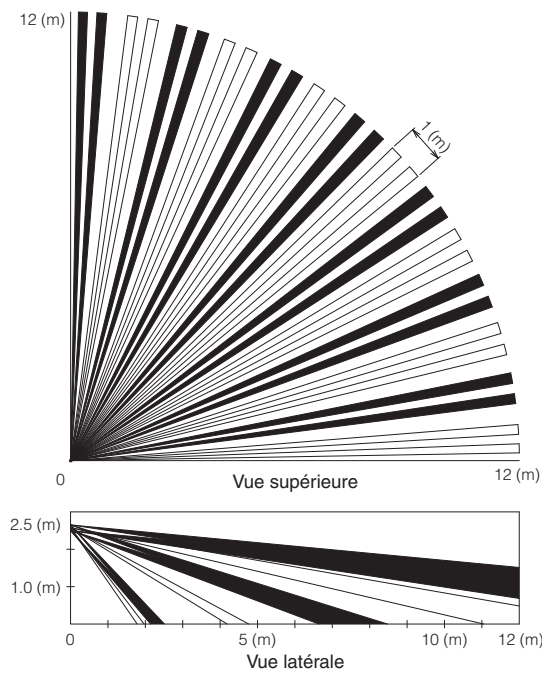
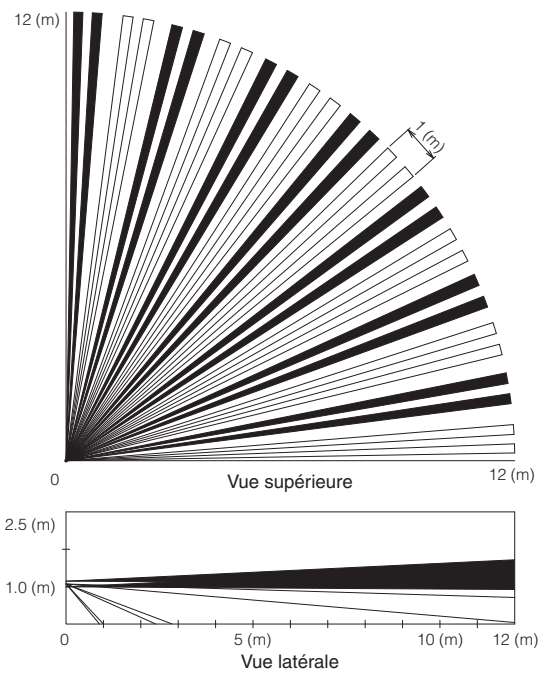
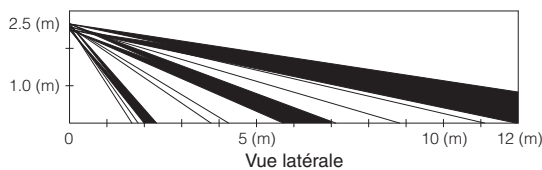


Schéma de la zone d'alarme en mode animaux domestiques



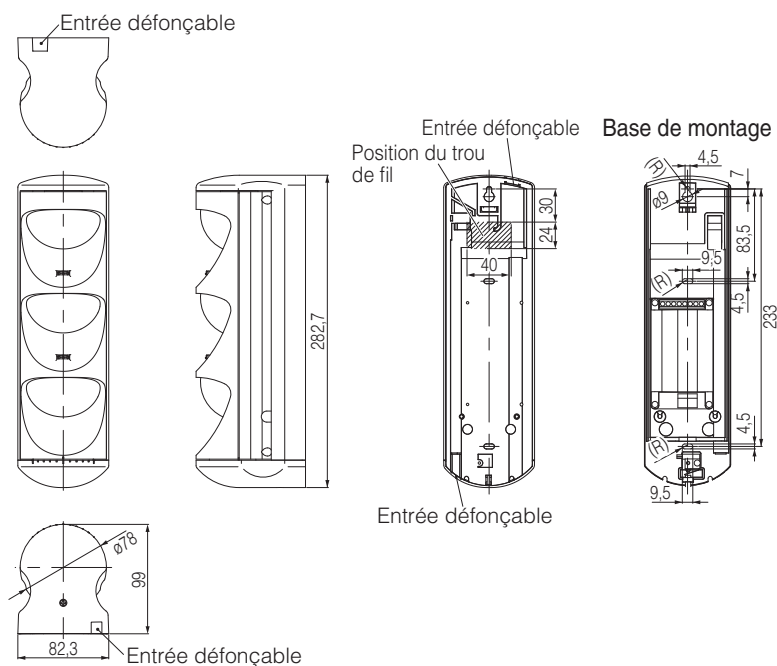
Lorsque la plaque est glissée vers le haut (sens opposé à celui de l'alarme animal)



(La distance maximale d'alarme est de 9 m.)

- Positionnez le détecteur à une hauteur comprise entre 2 m et 3 m au-dessus du sol pour le mode étendu et à une hauteur comprise entre 0,8 m et 1,2 m au-dessus du sol pour le mode animaux domestiques.
- La zone de détection peut être ajustée horizontalement à $\pm 45^\circ$ et la direction verticale peut être ajustée en faisant coulisser le panneau.
- La zone de détection comprend les configurations de zone des lentilles 1, 1' et 2.

12. DIMENSIONS



13. CARACTÉRISTIQUES TECHNIQUES

Nom du produit	Capteur thermique d'extérieur	
Modèle	SIR10SA	
Alimentation	9 – 28 V CC	
Consommation de courant électrique	35 mA (maximum)	
Plage d'humidité et de température de fonctionnement	-25 ~ +50°C HR de 95 % ou moins	
Plage d'humidité et de température de stockage	-30 ~ +60°C HR de 95 % ou moins	
Méthode d'alarme	Mode étendu	Mode animaux domestiques
Hauteur d'installation	2m ~ 3,0m	0,8m ~ 1,2m
Espace de détection	12m, 84°	
Zone de détection (secteur)	47 paires (94 secteurs)	29 paires (58 secteurs)
Méthode de détection	Système infrarouge passif	
Voyants indicateurs	DEL de l'alarme 1 = rouge, DEL de l'alarme 2 = rouge Fonction autodiagnostic : Les DEL 1 et 2 de l'alarme clignotantes (une fois par seconde) Fonction de mise en route: Les DEL 1 et 2 de l'alarme clignotantes (une fois par seconde) En détection : Voyants d'alarme DEL 1, 2 allumés Anti-masque : Les DEL 1 et 2 de l'alarme clignotent (5 fois par seconde) LED de précaution : Les DEL 1 et 2 de l'alarme allumées alternativement	Haute ↑ Priorité ↓ Basse
Sortie de détection	Contact sans tension (1b) Fonctionnement du contact : un coup (3 secondes) Capacité du contact : 30 V CC 0,3 A (charge de résistance) Résistance de sortie si fermé: 3 Ω ou moins	
Sortie antisabotage	Contact sans tension (1b) Fonctionnement du contact : Lorsque le couvercle inférieur est enlevé ou ouvert Capacité du contact : 30 V CC 0,1 A (charge de résistance) Résistance de sortie si fermé: 3 Ω ou moins	
Sortie anti-masque	Contact sans tension (1b) Fonctionnement du contact : Lorsqu'un masque est mis en place pendant une minute ou plus Capacité du contact : 30 V CC 0,3 A (charge de résistance) Résistance de sortie si fermé: 3 Ω ou moins	
Vitesse de détection	0,3 ~ 2,0 m/s	
Sensibilité de détection	1,5°C (différence de température avec l'arrière-plan) Vitesse de marche : 1 m/s Température ambiante : +35°C Réglage de sensibilité : 100%	
Plage de déplacement du dispositif principal	Sens horizontal ±45°	
Emplacement d'installation	Intérieur/extérieur (IP55)	
Poids	800g	
Couleur	Blanc DIC G-21	

14. COMPOSANTS OPTIONNELS

Les composants en option présentés dans le tableau à droite sont disponibles pour ce détecteur. Vous pouvez les acheter séparément si besoin.

Numéro du produit	Nom du produit
PMK1	Kit de montage sur poteau

- Les caractéristiques des composants en option peuvent être modifiées sans préavis à des fins d'amélioration.

15. MAINTENANCE

Inspection quotidienne

- Si le détecteur est sale, nettoyez-le à l'aide d'un chiffon doux imprégné de quelques gouttes d'eau savonneuse. N'utilisez jamais de diluant ou d'alcool.
- Vérifiez régulièrement (environ une fois par semaine) l'état de fonctionnement. Vérifiez également si des cartons, bâtiments ou des cloisons/murs bloquent les zones de détection.

Inspection régulière

- Effectuez une vérification de fonctionnement incluant ce système une fois par an. Assurez-vous de vérifier également les points ci-dessous.
 - La tension délivrée convient-elle ?
 - La sortie d'alarme fonctionne-t-elle correctement (la résistance de sortie est-elle correcte) ?
 - La sortie autoprotection fonctionne-t-elle correctement (la résistance de sortie est-elle correcte) ?
 - La sortie anti-masque fonctionne-t-elle correctement (la résistance de sortie est-elle correcte) ?

Les caractéristiques techniques et la conception sont soumises à modification sans préavis pour des raisons d'amélioration. Atsumi garantit la qualité de ses produits pendant une année conformément aux dispositions de la garantie. Si ce produit présente un quelconque défaut, veuillez contacter le fournisseur qui vous l'a vendu.



ATSUMI ELECTRIC CO., LTD.

4-2-2 Shin-Miyakoda, kitaku, Hamamatsu, Shizuoka 431 2103 Japan
Phone: (81)53-428-4116 Fax: (81)53-428-4119

Sistema di allarme anti intrusione
Sistema di monitoraggio automatico

Rilevatore intelligente esterno

SIR10SA

Tri Watcher®

Manuale d'installazione

Grazie per avere scelto questo sistema di allarme anti intrusione Atsumi: Rilevatore intelligente da esterno. Accertarsi di leggere con attenzione il manuale di installazione prima di installare il prodotto, al fine di garantire l'installazione corretta del suddetto. Conservare questo manuale in un luogo sicuro per riferimento in caso di necessità.

<Avvertenze>

Questo sensore è un dispositivo che rileva intrusione illegale, e non è un dispositivo anti furto. Questo prodotto dovrebbe essere utilizzato come parte di un completo sistema di sicurezza.

Atsumi non è responsabile per danni derivanti da furto o altro cause legate all'uso del prodotto.

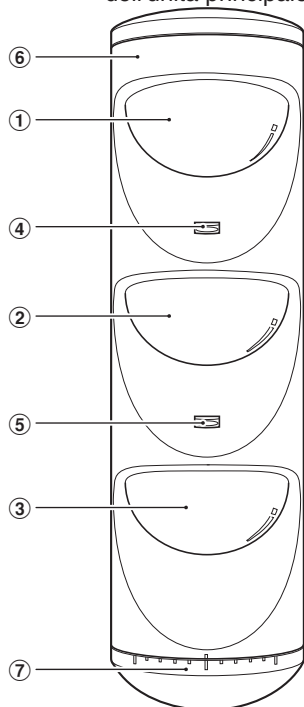
1. COMPONENTI DEL PRODOTTO

I componenti del prodotto sono mostrati nella tabella seguente. Accertarsi che siano presenti tutti i componenti prima di iniziare l'installazione.

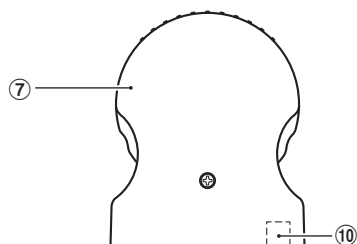
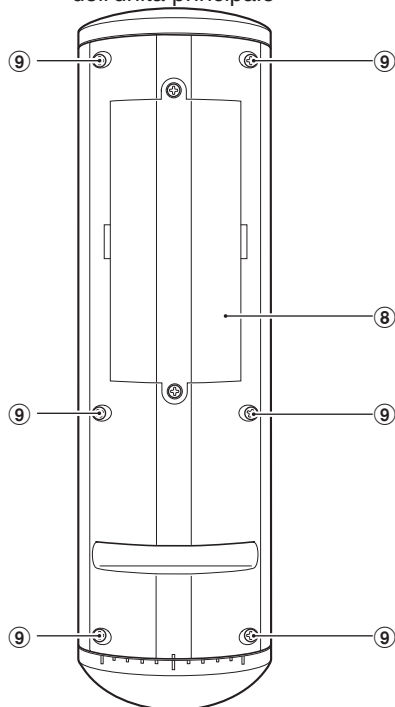
Componente	Quantità
Unità principale	1
Viti per l'installazione dell'unità principale (diametro nominale 4 x 30)	2
Nastro adesivo anti-luce per lente 1	2
Vite di blocco (Diametro nominale M3x8)	1
Manuale d'installazione (questo manuale)	1
Nastro adesivo anti-luce per lente 2	1

2. NOMI DELLE PARTI E RELATIVO FUNZIONAMENTO

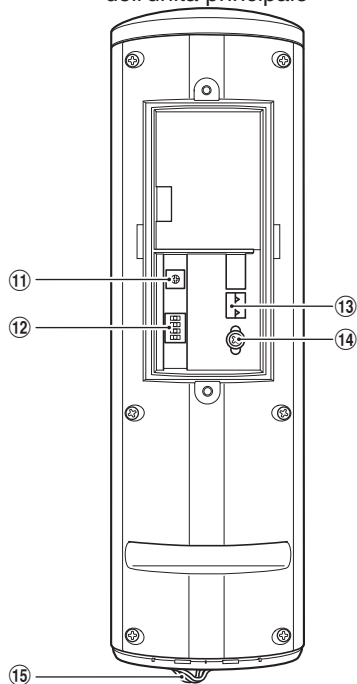
Lato anteriore dell'unità principale



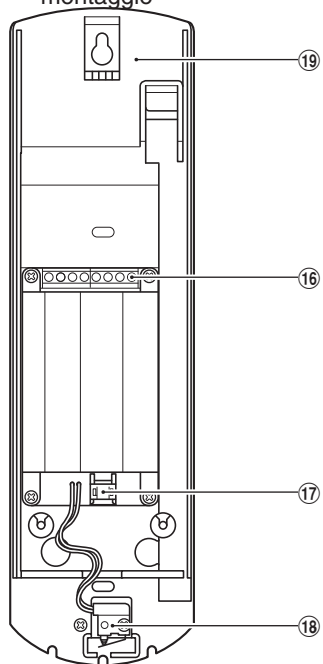
Lato posteriore dell'unità principale



Lato posteriore dell'unità principale



Base di montaggio



- ① **Lente 1**
Lente per la raccolta del calore nell'area di rilevamento.
- ② **Lente 2**
Lente per la raccolta del calore nell'area di rilevamento.
- ③ **Lente 1'**
Lente per la raccolta del calore nell'area di rilevamento.
- ④ **LED di allarme 1**
Questo LED si illumina o lampeggia di rosso per indicare lo stato operativo del dispositivo.
- ⑤ **LED di allarme 2**
Questo LED si illumina o lampeggia di rosso per indicare lo stato operativo del dispositivo.
- ⑥ **Coperchio**
Questo è il coperchio frontale del dispositivo.
- ⑦ **Coperchio inferiore**
Questo è il coperchio inferiore del dispositivo.
- ⑧ **Coperchio piccolo**
Coperchio degli interruttori di impostazione.
- ⑨ **Vite del coperchio**
Queste viti vengono utilizzate per la rimozione del coperchio.
- ⑩ **Espulsore**
Romperlo questo punto di uscita per eseguire il cablaggio a parete.
- ⑪ **Volume sensibilità**
Regola la sensibilità di rilevamento.
- ⑫ **Interruttore DIP**
I commutatori di tipo dip-switch sono usati per impostare le varie funzioni del dispositivo.
- ⑬ **Indice modo Allarme**
L'indice del modo Allarme.



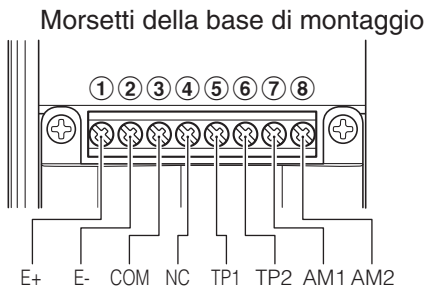
Modo Wide



Modo Pet Alley

- ⑭ **Vite per il fissaggio tavola**
Questa vite serve per fissare la scheda.
- ⑮ **Cavo relé**
Questo è un cavo che serve per la connessione del dispositivo principale e della base di montaggio.
- ⑯ **Terminali**
Morsetti per il collegamento di cavi ad altre apparecchiature.
- ⑰ **Connettore del cavo di rilascio**
Questo connettore serve per collegare il cavo di rilascio al dispositivo principale.
- ⑱ **Interruttore Tamper**
Questo interruttore rileva l'apertura e la chiusura del coperchio inferiore.
- ⑲ **Base di montaggio**
Essa è utilizzata se il dispositivo viene montato su una parete o altro oggetto.

3. NOMI DEI TERMINALI E RELATIVO FUNZIONAMENTO



Simbolo/nome del terminale	Funzionamento
Ingresso alimentazione (①:E+, ②:E-)	Alimentazione di 9,0 V - 28,0 V DC. Non ha il polarità.
Uscita di allarme (③:COM, ④:NC)	Questa è l'uscita pulita 1b. La capacità di contatto ammissibile è 30 V DC/0.3 A (carico del resistore). * In assenza di alimentazione, l'uscita si apre.
Uscita Tamper (⑤:TP1, ⑥:TP2)	Questa è l'uscita pulita del componente di contatto 1b. La capacità di contatto ammissibile è 30 V DC/0.1 A (carico del resistore).
Uscita Anti-Masking (⑦:AM1, ⑧:AM2)	Questa è l'uscita pulita 1b. La capacità di contatto ammissibile è 30 V DC/0.3 A (carico del resistore). * In assenza di alimentazione, l'uscita si apre.

4. MATERIALI E METODI DI CABLAGGIO

ATTENZIONE

Non eseguire il cablaggio vicino ad un apparecchio che rappresenta una forte fonte di rumore.
Non eseguire il cablaggio in parallelo ad alimentazioni commerciali o linee di alimentazione.
Non utilizzare un collegamento antenna. Tutte queste installazioni potrebbero determinare un malfunzionamento.

● Cablaggio della linea di alimentazione

Per il materiale di cablaggio della linea di ingresso alimentazione, utilizzare cavi che abbiano una resistenza inferiore rispetto alla resistenza massima ammissibile utilizzando la seguente formula.

Per semplificare il metodo di calcolo in questo esempio, il metodo è stato descritto in base ad una condizione in cui tutti i rilevatori sono installati il più lontano possibile dal dispositivo di alimentazione (in modo che la resistenza ammissibile sia ridotta).

Metodo di calcolo per distanza del cavo in una direzione dall'unità di alimentazione a questo rilevatore

$$\text{Valore massimo della resistenza ammissibile per materiale del cavo } R [\Omega/\text{km}] = \frac{V_c - V_s}{1,2 \times (2 \times L) \times i}$$

V_c: Voltaggio di uscita dell'unità di alimentazione [V]
V_s: Voltaggio minimo di esercizio di questo dispositivo = 9 V
L: La lunghezza del filo da questo dispositivo all'unità di alimentazione (km)
i: Consumo di corrente del dispositivo = 0,035 A

Tabella cavi

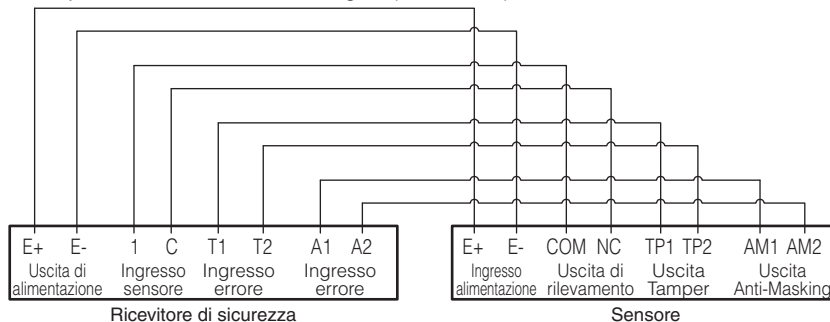
Cavo singolo (mm)	∅0,50	∅0,65	∅0,80	∅0,90	∅1,00	∅1,20
Cavo singolo (AWG)	24	22	20	19	18	16
Cavo arrotolato (mm ²)	0,20	0,40	0,50	0,75	0,90	1,30
Resistenza (Ω/km)	89	56	37	29	24	16

*Utilizzare il materiale cavi che va da AWG24 a AWG16.

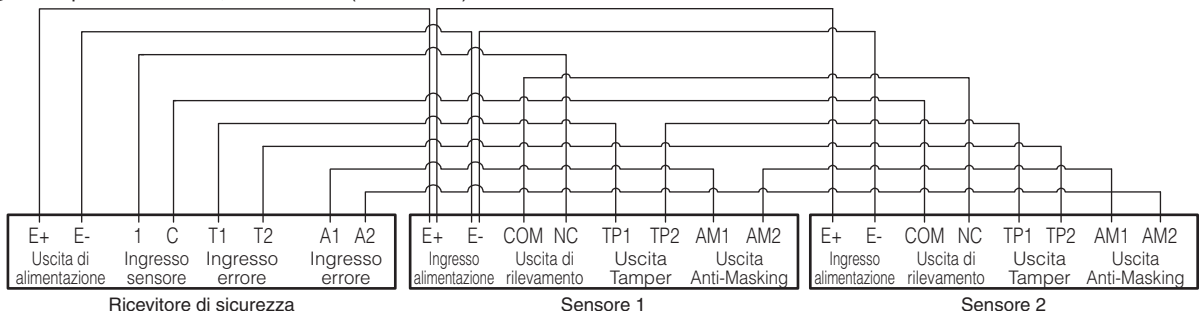
● Esempi di cavi

Esempi di cavi SIR10SA

① Esempio di una zona, rilevatore singolo (contatto 1b)

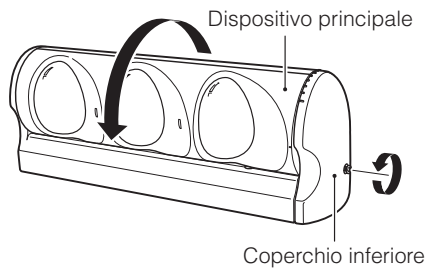


② Esempio di un canale, due sensori (contatto 1b)

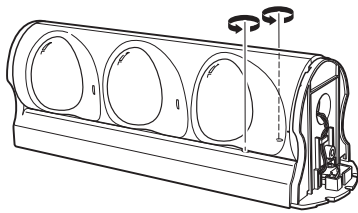


5. PROCEDURA DI INSTALLAZIONE

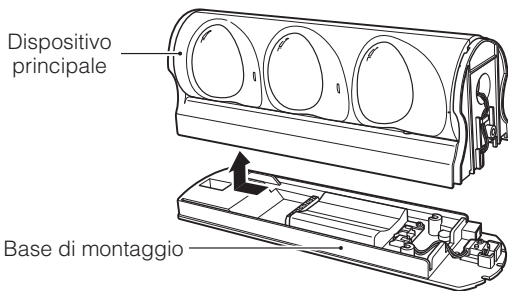
- 1** Rimuovere il coperchio inferiore e ruotare il dispositivo principale di 90 gradi.



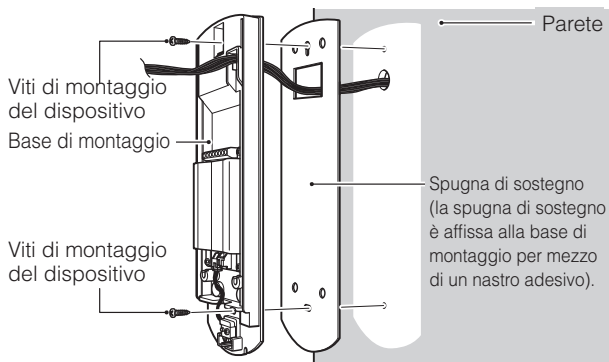
- 2** Svitare le due viti.



- 3** Rimuovere il dispositivo principale dalla base di montaggio.



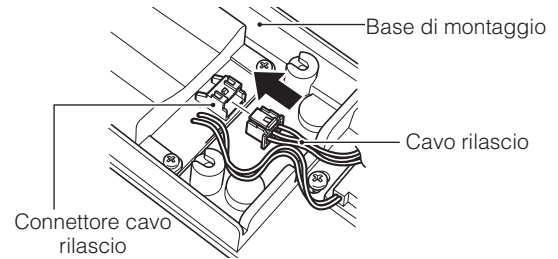
- 4** Usare le viti di montaggio del dispositivo per fissare la base di montaggio e la spugna di sostegno alla superficie della parete e collegare il cablaggio.



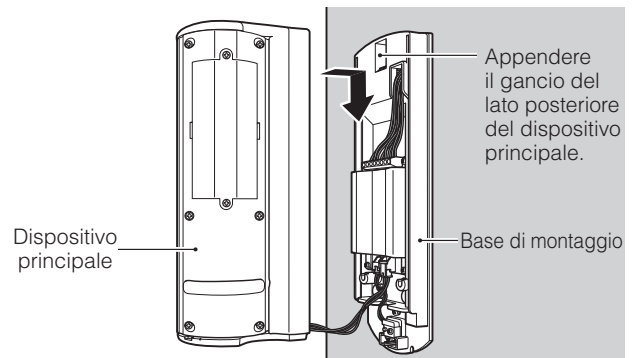
ATTENZIONE

Far attenzione a installare il dispositivo principale in modo che sia parallela alla terra o pavimento. Se è installato in modo inclinato, potrebbe determinarsi un malfunzionamento o un guasto.

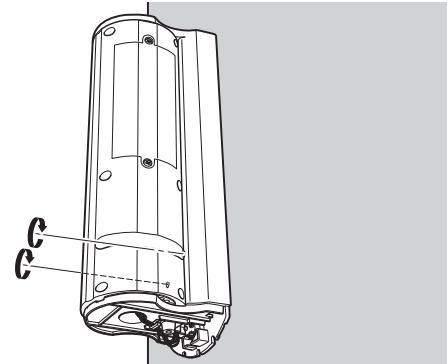
- 5** Collegare il cavo di rilascio del dispositivo principale al connettore della base di montaggio.



- 6** Fissare dispositivo principale.

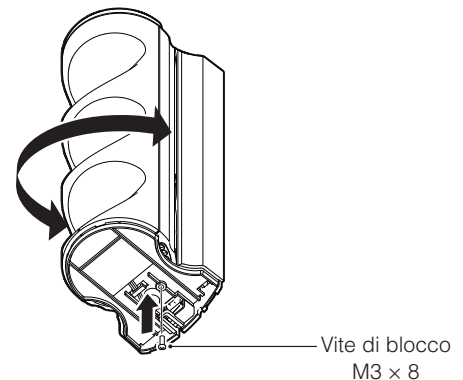


- 7** Stringere le viti.



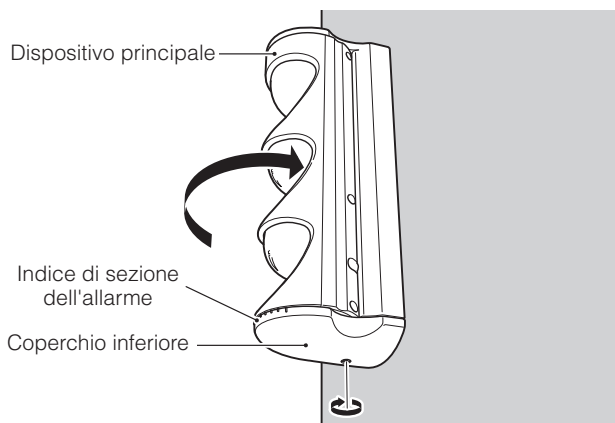
- 8** Come utilizzare la vite di blocco.

* Un meccanismo di blocco della protezione girevole diventa più resistente utilizzando una vite di blocco apposta al momento della definizione dell'area di rilevamento del rilevatore.



9 Allineare la direzione di allarme e serrare la vite del coperchio inferiore.

* Verificare l'indice di direzione allarme per verificare la direzione.



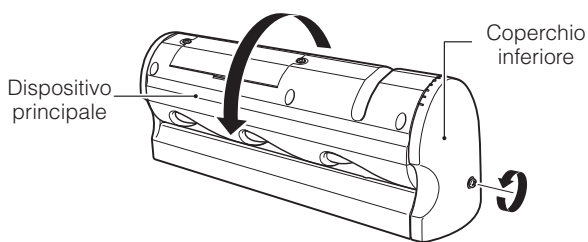
NOTE

Se l'uscita Anti-Masking rimane attiva anche in assenza di mascheramento al termine della funzione di riscaldamento, l'uscita Anti-Masking potrebbe non essere stata inizializzata correttamente. In tal caso, spegnere e riaccendere il dispositivo.

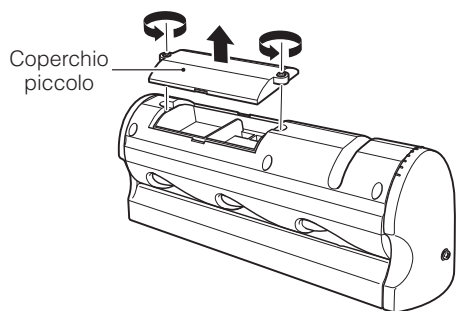
Il LED Anti-Masking potrebbe accendersi quando la funzione di riscaldamento è in esecuzione. Ciò non indica un'anomalia.

6. UTILIZZO COME MODO PET ALLEY (In base alle impostazioni predefinite il dispositivo è impostato sul modo Wid)

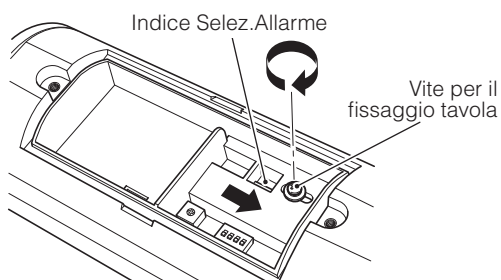
1 Svitare la vite del coperchio inferiore di circa 5 mm e ruotare di 180 gradi.



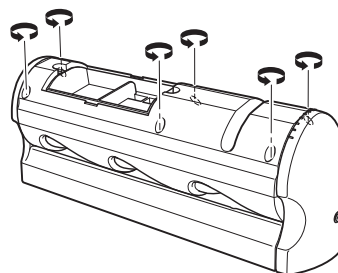
2 Svitare le viti e rimuovere il coperchio piccolo.



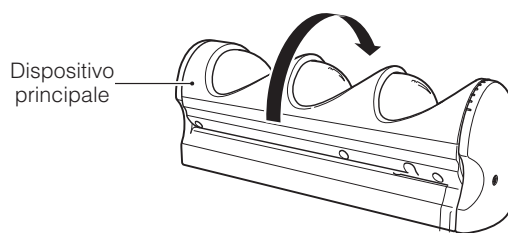
3 Allentare la vite per il fissaggio tavola e far scivolare completamente lungo la direzione della freccia. Verificare che l'indice di selezione dell'allarme sia nella posizione "P", quindi serrare la vite per il fissaggio tavola.



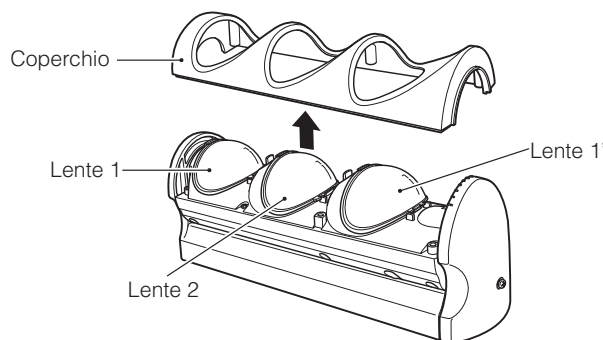
4 Svitare le sei viti del coperchio.



5 Ruotare il dispositivo principale di 180 gradi in modo che sia rivolta in avanti.

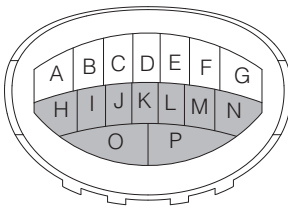


6 Rimuovere il coperchio frontale.

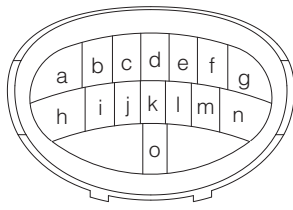


7 Rimuovere la lente 1, 1' e mettere del nastro adesivo anti-riflettente all'interno della lente 1, 1'.

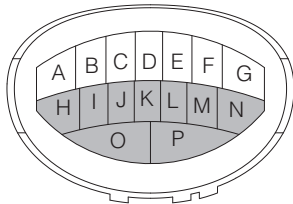
● I punti riflettenti sono "H" e "P" sulla lente 1, 1'.



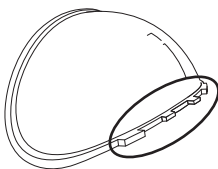
Configurazione lente 1



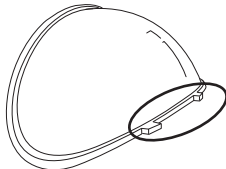
Configurazione lente 2



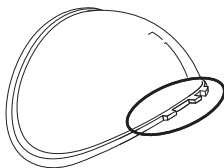
Configurazione lente 1'



Lente 1



Lente 2



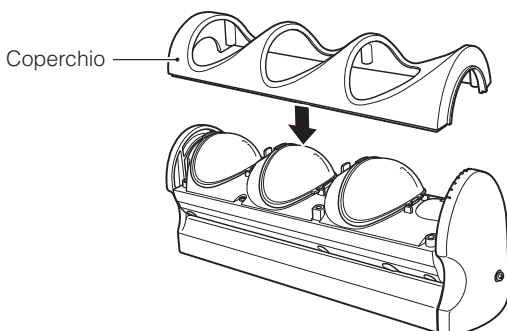
Lente 1'

ATTENZIONE

La forma delle proiezioni sulla lente 1, 1' e 2 è differente. Quando si montano le lenti, far attenzione a non confonderle. Ciò potrebbe determinare malfunzionamento o guasto.

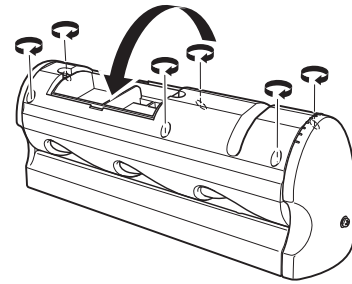
Dopo aver rimosso la lente, non toccare le parti interne del dispositivo principale. Ciò potrebbe determinare malfunzionamento o guasto.

8 Montare il coperchio frontale.



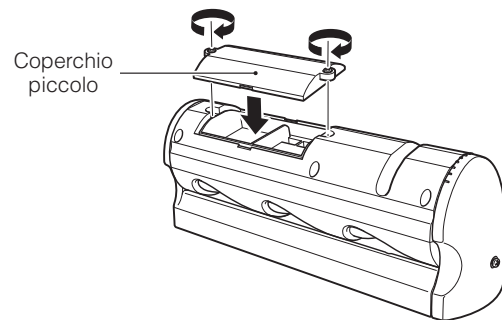
Coperchio

9 Ruotare il dispositivo principale di 180°, quindi serrare le sei viti del coperchio.



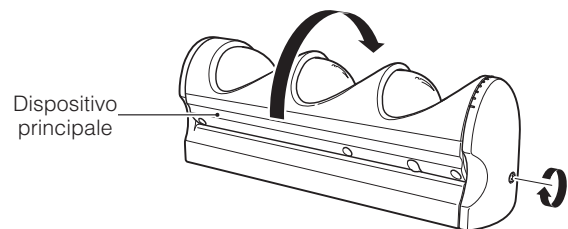
10 Spostare indietro il coperchio piccolo e serrare le due viti.

* Il coperchio piccolo può essere montato in entrambe le direzioni.



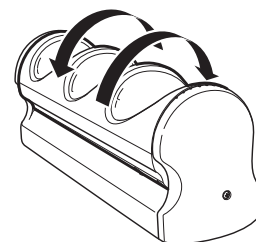
Coperchio piccolo

11 Ruotare il dispositivo principale, allineare la direzione dell'allarme, quindi stringere le viti del coperchio inferiore per metterlo a posto.



Dispositivo principale

È possibile ruotare di 180° verso sinistra.



È possibile ruotare di 135° verso destra.

7. INTERRUITORI DI REGOLAZIONE

Eseguire le impostazioni dopo aver rimosso il coperchio piccolo dall'unità principale.



Vol.1

- Volume di regolazione 1 Sensibilità
- Interruttori di regolazione 1 e 2..... Contatore impulso (Preimpostato: DISATTIVO, ATTIVO)
- Interruttore di regolazione 3..... LED Indicatore (Preimpostato: ATTIVO)
- Interruttore di regolazione 4..... Precauzione LED e indicatore LED Anti-Masking (Preimpostato: DISATTIVO)



ON OFF

1. Funzione di selezione della sensibilità di rilevamento (Volume sensibilità)

È possibile regolare la sensibilità di rilevamento del rilevatore.
 Margine: 50% - 100% - 150%
 La sensibilità di rilevamento preimpostata è 100%.
 Funzionamento: Se impostato su 100%, la sensibilità di rilevamento quando si cammina a 1 m/s in un ambiente a 35°C è 1,5°C.

2. Funzione contatore impulso (Interruttori i regolazione 1 e 2)

Il funzionamento del rilevamento viene eseguito da un numero preimpostato di ingressi segnali.
 Selezione della funzione : Impostare gli interruttori di regolazione per selezionarne uno dei seguenti quattro tipi.

	Interruttore 1	Interruttore 2	N. di segnali
(Impostazione predefinita)	Attivo	Attivo	1
	Disattivo	Attivo	2
	Attivo	Disattivo	3
	Disattivo	Disattivo	4

Funzionamento: Viene contato il numero di ingressi segnale entro 10 secondi e se i suddetti raggiungono una cifra preimpostata, sarà eseguito il rilevamento. Una volta trascorsi 10 secondi dall'ultimo ingresso segnale, il valore del contatore viene ripristinato.
 In genere, quando una persona attraversa una zona sono emessi uno o due segnali; tuttavia, se la differenza di temperatura tra la persona e lo sfondo del pavimento o parete è lieve, sarà emesso un solo segnale. Quindi, tener presente ciò al momento dell'impostazione.

3. Funzione di selezione indicatore LED (Interruttore di regolazione 3)

Attivo : I LED di allarme 1 e 2 (rosso) sono generalmente spenti e si accendono al rilevamento. (Impostazione predefinita)
 Disattivo: I LED di allarme 1 e 2 (rosso) sono generalmente spenti e non si accendono al rilevamento.

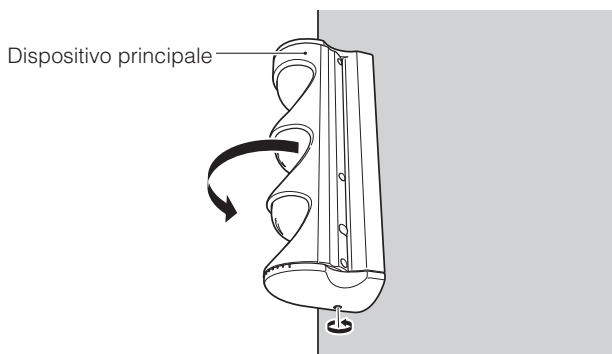
4. Precauzione LED e indicatore LED Anti-Masking (Interruttore di regolazione 4)

In condizioni normali, i LED di allarme 1 e 2 si accendono alternativamente. (una volta ogni 2,5 secondi)
 Quando si rileva Anti-Masking, i LED di allarme 1 e 2 iniziano a lampeggiare simultaneamente. (5 volte al secondo)
 I LED di allarme lampeggiano in modo diverso a seconda di quando il funzionamento è in condizioni normali e quando si rileva Anti-Masking.
 Attivo : Il LED di allarme è utilizzato. Questa funzione può essere usata anche se l'indicatore LED è spento.
 Disattivo: Il LED di allarme non è usato. (Impostazione predefinita)

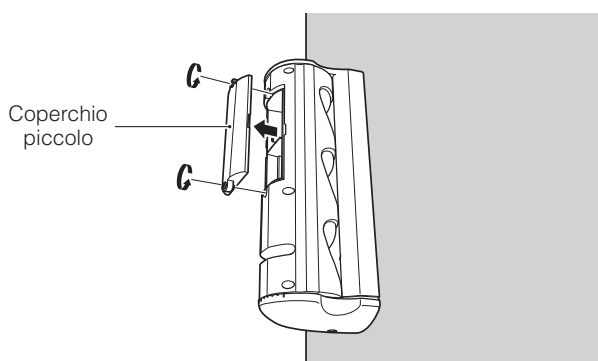
Montaggio e rimozione del coperchio piccolo

Rimozione

- 1 Svitare la vite del coperchio inferiore di circa 5 mm e ruotare di 180 gradi.



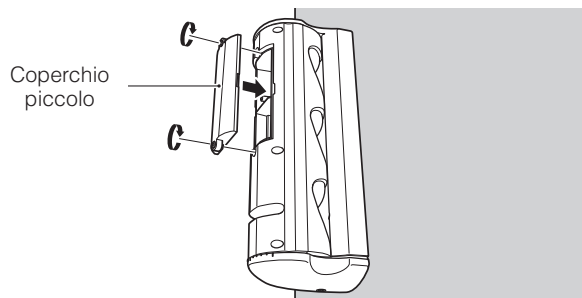
- 2 Svitare le viti e rimuovere il coperchio piccolo.



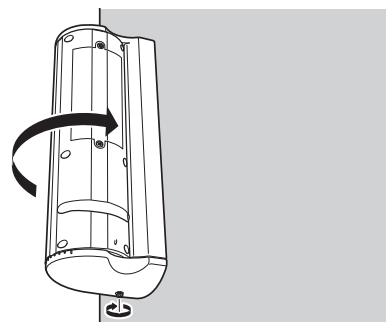
Montaggio

- 1 Posizionare il coperchio piccolo e stringere le due viti.

* Il coperchio piccolo può essere rimosso con la parte superiore e inferiore in entrambe le direzioni.



- 2 Ruotare il dispositivo principale, allineare la direzione dell'allarme, quindi stringere le viti del coperchio inferiore per metterlo a posto.



8. FUNZIONI AUSILIARIE

1. Funzione di selezione del sistema di rilevamento

Modo Wide : installare a un'altezza compresa tra 2 d 3,0 m. In base alle impostazioni predefinite è selezionato il modo Wide.

Modo Pet Alley : installare a un'altezza compresa tra 0,8 e 1,2 m. Questa modalità è usata quando animali domestici di grandi dimensioni possono essere rilevati erroneamente dal modo Wide.

2. Funzione riscaldamento

Selezione della funzione: Questa funzione è sempre attiva indipendentemente dall'interruttore di regolazione.

Funzionamento : Per stabilizzare la funzione di rilevamento del rilevatore, il rilevamento non viene eseguito per circa 50 secondi dall'accensione dell'alimentazione. Durante la fase di riscaldamento, i LED di allarme 1 e 2 (rossi) eseguono un lampeggio al sec.

3. Funzione autodiagnostica

Questa funzione rileva errori nel stesso.

Selezione della funzione Questa funzione è sempre attiva indipendentemente dall'interruttore di regolazione.

Funzionamento : In caso di errore nell'elemento o nell'unità di amplificazione del segnale, i LED allarme 1 e 2 (rosso) lampeggiano una volta al secondo e continuano a inviare l'uscita di allarme fino allo spegnimento dell'alimentazione. In tal caso, il dispositivo deve essere sostituito.

Il rilevatore e la funzione Anti-Masking non funzionano quando è in esecuzione la funzione di diagnostica automatica.

4. Funzione Tamper

Questa funzione rileva l'apertura o chiusura del coperchio inferiore.

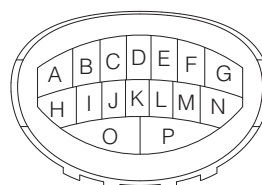
Selezione della funzione: Questa funzione è sempre attiva indipendentemente dall'interruttore di regolazione.

Funzionamento : Mentre viene aperto il coperchio inferiore, l'uscita tamper viene inviata.

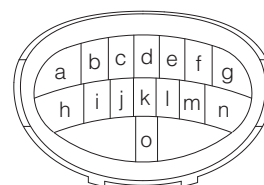
5. Funzione riflettente

Se nell'area di rilevamento sono presenti cause di falso allarme (come alberi e impianti di condizionamento esterni), che provocano dei guasti, mascherare le lenti per disattivare il settore di rilevamento interessato.

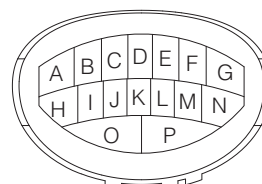
Mettere del nastro adesivo riflettente facendo riferimento al diagramma delle zone mostrato in "12. Area di rilevamento".



Configurazione lente 1



Configurazione lente 2



Configurazione lente 1'

6. Funzione Anti-Masking

Questa funzione rileva il mascheramento eseguito per questo dispositivo.

Selezione della funzione: Questa funzione è sempre attiva indipendentemente dall'interruttore di regolazione.

Funzionamento: Quando il mascheramento viene eseguito per almeno un minuto, Anti-Masking viene emesso da AM1 o AM2 sulla morsettiera.

Se l'interruttore di regolazione 4 è su ON, i LED di allarme 1 e 2 lampeggiano cinque volte al secondo quando viene eseguito il mascheramento per almeno tre secondi.

9. CONTROLLO DEL FUNZIONAMENTO IN WALK TEST

- (1) La funzione di riscaldamento dura 50 secondi dopo l'accensione, e il rilevamento non viene eseguito. (Il LED di allarme lampeggia durante questo periodo.)
 - (2) Una volta completato il riscaldamento, camminare per tutta l'area di rilevamento lungo l'eventuale percorso di un intruso.
- Se il LED di allarme non si accende, impostare nuovamente l'area di rilevamento, la sensibilità e il contatore impulsi, quindi ripetere il controllo.

10. RISOLUZIONE DI GUASTI

Se il rilevatore non funziona correttamente, verificare la tensione di alimentazione e la polarità. Se il rilevatore continua a non funzionare correttamente anche se l'alimentazione viene fornita correttamente, trovare la causa ed eliminare il problema facendo riferimento alla tabella seguente.

Problema	Causa	Soluzione
Il rilevatore non funziona affatto. (Il LED di allarme (rosso) non si accende.) A volte il rilevatore non funziona.	Erba, schermo o altri ostacoli stanno bloccando l'area di rilevamento.	Spostare l'ostacolo o regolare nuovamente l'area di rilevamento.
	Il cavo relé non è connesso.	Collegare il cavo relé.
	L'intruso non attraversa l'area di rilevamento.	Regolare nuovamente la direzione del rilevatore in modo che l'intruso attraversi la zona di rilevamento.
Il sensore è attivato anche se non vi è un intruso. (Il LED di allarme (rosso) si accende.)	Il sensore è vicino ad una fonte di rumore elettrico, o i cavi sono vicini ad una fonte di alimentazione o linea di alimentazione.	Cambiare il luogo di installazione. Cambiare il luogo del cablaggio.
	Si è verificato un cambiamento improvviso nella temperatura.	Spostare la fonte di calore o mascherare la zona corrispondente della lente. Regolare nuovamente l'area di rilevamento.
	Luce solare, i fari di una macchina, o altre fonti luminose sono entrate nell'ambiente del sensore o area di rilevamento.	Regolare nuovamente l'area di rilevamento o mascherare la zona corrispondente della lente.
	Alberi, biancheria o altri oggetti in movimento sono entro l'area di rilevamento.	Rimuovere l'oggetto in movimento dall'area di rilevamento o mascherare la zona corrispondente della lente. Regolare nuovamente l'area di rilevamento. Cambiare posizione.
L'uscita Anti-Masking rimane anche quando non viene eseguito il mascheramento.	La funzione Anti-Masking non è stata inizializzata normalmente.	Spegnere e riaccendere il dispositivo.
Il LED di allarme (rosso) si accende, ma l'allarme del ricevitore non si attiva.	Il ricevitore non è in stato di allarme.	Regolare il ricevitore in stato di allarme.
Il LED di allarme (rosso) lampeggia di continuo (una volta al secondo).	La funzione di diagnostica automatica è attivata a causa dell'errore del rilevatore. Il rilevatore e la funzione Anti-Masking non funzionano quando è in esecuzione la funzione di diagnostica automatica.	Sostituire il rilevatore.

11. AREA DI RILEVAMENTO

Diagramma di configurazione aree lente 1,1'

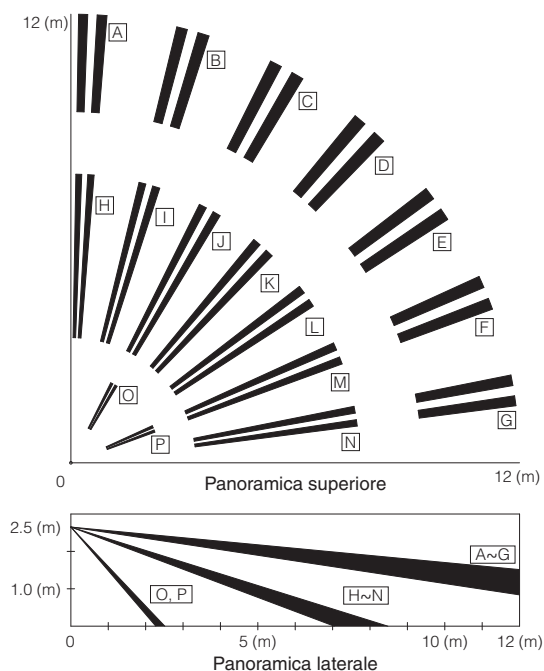
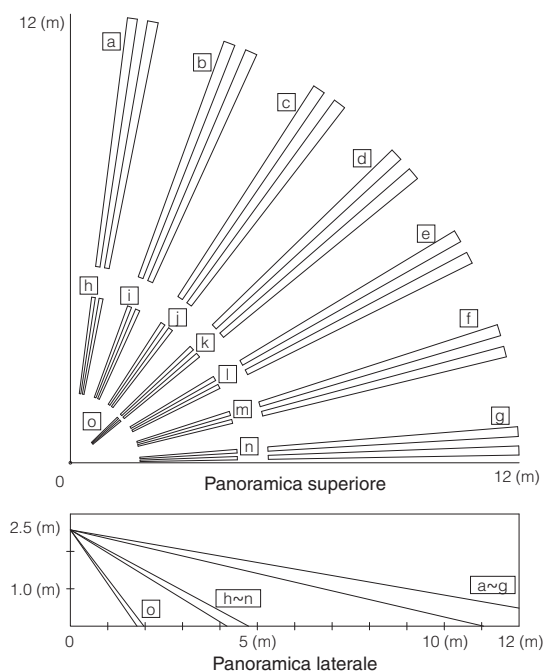
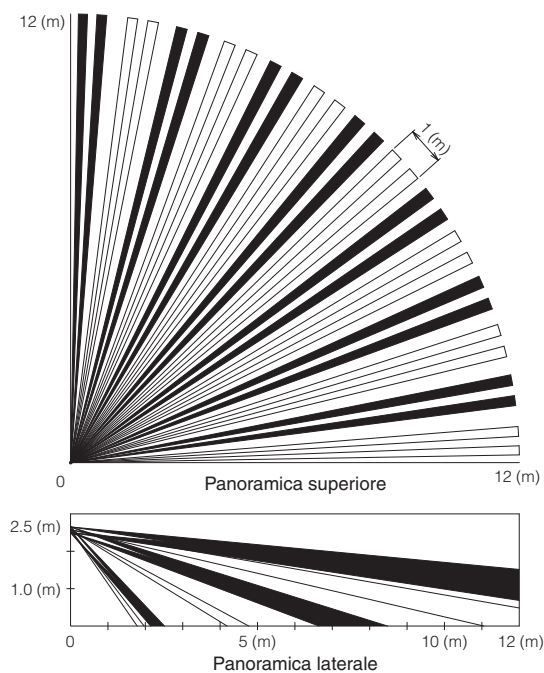


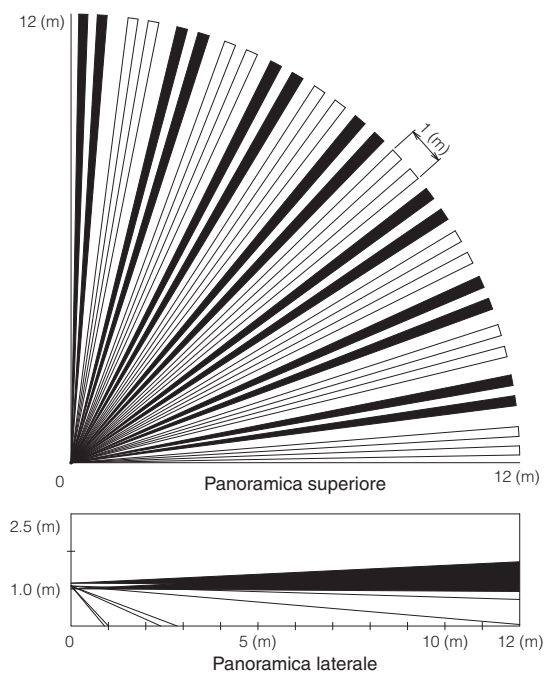
Diagramma di configurazione aree lente 2



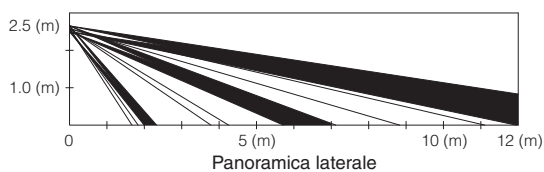
Schema area allarme Wide



Schema area allarme Pet Alley



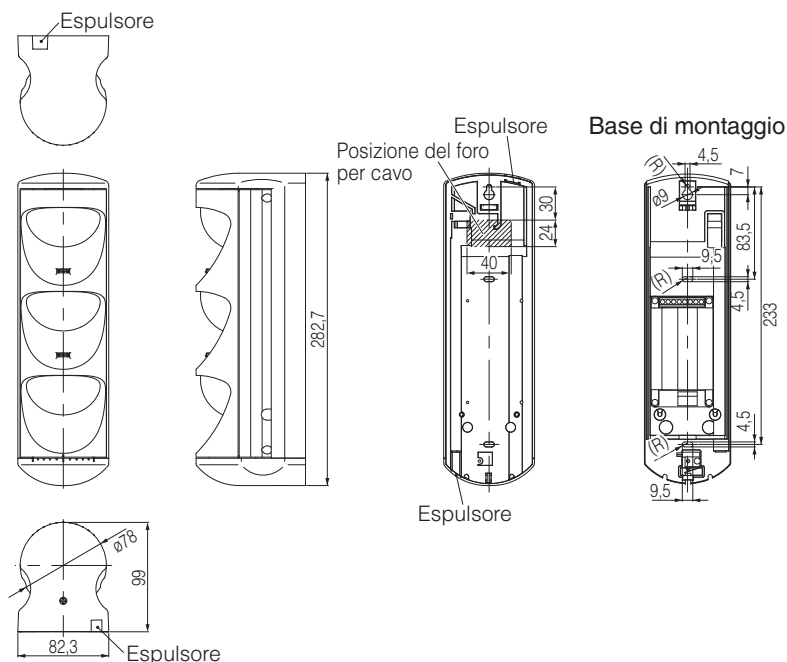
Quando la scheda viene spostata verso l'alto (in direzione opposta dal percorso dell'animale)



(La distanza massima dell'allarme è di 9 m.)

- Impostare l'altezza di montaggio del rilevatore tra 2,0 e 3,0 m sopra il pavimento o il terreno per il modo Wide e 0,8 e 1,2 m per il modi Pet Alley.
- L'area di rilevamento è regolabile entro un raggio di $\pm 45^\circ$ in senso orizzontale, mentre la direzione verticale è regolabile facendo scivolare la tavola.
- L'area di rilevamento è costituita dalle configurazioni della zona Lens1, 1' e Lens2.

12. DIMENSIONI



13. SPECIFICHE TECNICHE

Nome prodotto	Rilevatore intelligente esterno	
Modello	SIR10SA	
Alimentazione	9 – 28 V DC	
Consumo	35 mA (massimo)	
Margine temperatura di esercizio e umidità	da - 25 ~ +50°C	RH 95% o inferiore
Margine temperatura di stoccaggio e umidità	da - 30 ~ +60°C	RH 95% o inferiore
Metodo di allarme	Modo Wide	Modo Pet Alley
Altezza di installazione	2m ~ 3,0m	0,8m ~ 1,2m
Area di rilevamento	12m, 84°	
Zona di rilevamento (settore)	47 paia (94 settori)	29 paia (58 settori)
Metodo di rilevamento	Sistema a d infrarossi passivo	
Luci dell'indicatore	LED di allarme 1=Rosso, LED di allarme 2=Rosso Funzione auto diagnostica : LED di allarme 1, 2 lampeggianti (una volta al secondo) Funzione riscaldamento : LED di allarme 1, 2 lampeggianti (una volta al secondo) Al rilevamento : LED allarme, 1, 2 pienamente acceso Anti-Masking : LED di allarme 1, 2 lampeggianti (5 volte al secondo) Precauzione LED : I LED di allarme 1, 2 si accendono alternativamente	Alta ↑ Priorità ↓ Bassa
Uscita di rilevamento	Contatto non-voltaggio (1b) Funzione di contatto : One-Shot (da 3 secondi) Capacità di contatto : 30 V DC/0.3 A (carico di resistenza) Resistenza d'uscita quando chiuso : 3 Ω o inferiore	
Uscita Tamper	Contatto non-voltaggio (1b) Funzione di contatto : Quando il coperchio inferiore è rimosso o aperto Capacità di contatto : 30 V DC/0.1 A (carico di resistenza) Resistenza d'uscita quando chiuso : 3 Ω o inferiore	
Uscita Anti-Masking	Contatto non-voltaggio (1b) Funzione di contatto : Quando si esegue il mascheramento per almeno un minuto Capacità di contatto : 30 V DC/0.3 A (carico di resistenza) Resistenza d'uscita quando chiuso : 3 Ω o inferiore	
Velocità di rilevamento	Da 0,3 ~ 2,0 m/sec	
Sensibilità di rilevamento	1.5°C (differenza di temperatura con l'ambiente) Velocità di cammino : 1 m/sec Temperatura dell'ambiente : +35°C Regolazione della sensibilità : 100%	
Margine di movimento dispositivo principale	Direzione orizzontale ±45°	
Lungo dell'installazione	Interno/esterno (IP55)	
Peso	800g	
Colore	Bianco DIC G-21	

14. COMPONENTI OPZIONALI

I componenti opzionali indicati nella tabella sulla destra sono disponibili per questo rilevatore. Acquistarli separatamente se necessario.

Numero prodotto	Nome prodotto
PMK1	Kit di montaggio

- Le specifiche dei componenti opzionali sono soggette a modifiche senza preavviso.

15. MANUTENZIONE

Ispezione giornaliera

- Se il rilevatore è sporco, pulirlo con un panno morbido leggermente imbevuto di una soluzione saponata. Non utilizzare solventi o alcool.
- Eseguire regolarmente un controllo del funzionamento una volta la settimana. Verificare inoltre il funzionamento se scatole/alloggiamenti o pareti/schermi bloccano le zone di rilevamento.

Ispezione regolare

- Eseguire un controllo di funzionamento del sistema almeno una volta all'anno. Assicurarsi di controllare quanto segue:
 - La tensione di alimentazione è adatta?
 - L'uscita di allarme funziona correttamente (la resistenza dell'uscita è corretta)?
 - L'uscita di manomissione funziona correttamente (la resistenza dell'uscita è corretta)?
 - L'uscita Anti-Masking funziona correttamente (la resistenza dell'uscita è corretta)?

Design e specifiche tecniche sono soggetti a modifiche senza preavviso.

Atsumi garantisce la qualità dei prodotti per un periodo di un anno su presentazione della garanzia. Se dovessero presentarsi difetti nel prodotto, contattare il rivenditore presso il quale è stato acquistato il prodotto.



ATSUMI ELECTRIC CO., LTD.

4-2-2 Shin-Miyakoda, Kitaku, Hamamatsu, Shizuoka 431 2103 Japan
Phone: (81)53-428-4116 Fax: (81)53-428-4119