

## Camera Accessories Selection

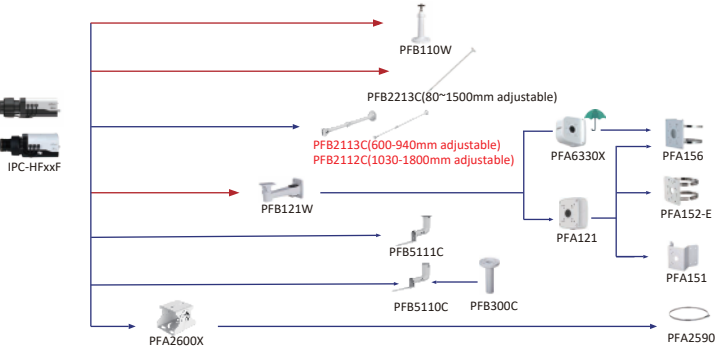
Guide you how to install all the cameras



### Selection of Box Camera

| Shape     | IP Camera  | CVI Camera   |
|-----------|--|--|
| IPC-HFxxF | IPC-HF7442F-Z-X<br>IPC-HF7842F-Z-X<br>IPC-HF71242F-Z-X<br>IPC-HF7442F-Z-S2<br>IPC-HF7842F-Z-S2 | IPC-HF541F-ZE<br>IPC-HF5241F-ZE<br>IPC-HF5842F-ZE<br>IPC-HF5442F-ZE<br>IPC-HF542F-ZE<br>IPC-HF5452F-ZE<br>IPC-HF552F-ZE<br>IPC-HF582F-ZE |

Camera Adapter Wall/Plane Mount Ceiling Mount Junction Box Pole/Corner Mount



### Selection of Lens(610 Series)

| Shape     | Box Camera   | Lens   |
|-----------|--|--|
| IPC-HFxxF | IPC-HF7442F-Z-X<br>IPC-HF7842F-Z-X<br>IPC-HF7442F-Z-S2<br>IPC-HF7842F-Z-S2           | PLZ21CO-P PFL010542-A12PE<br>PLZ20CO-P PFL1040-K9PE<br>PFL1575-A12D PFL1040-K9M<br>PFL1640-L12PE PFL1640-L12P<br>PFL1040-A12PE   |
|           | IPC-HF71242F-Z-X   | PFL1040-A12PE PFL010542-A12PE<br>PLZ21CO-P PFL1575-A12D<br>PLZ20CO-P PFL1640-L12PE<br>PFL1640-L12P   |
| IPC-HFxxF | IPC-HF5241F-ZE<br>IPC-HF5541F-ZE   | PFL1040-A12PE PFL2712-E6D<br>PLZ21CO-P PFL010542-A12PE<br>PLZ20CO-P PFL1040-K9PE<br>PFL1575-A12D PFL0820-G3M<br>PFL1640-L12PE PFL1040-K9M<br>PFL1040-A12PE PFL0550-E6D |
|           | IPC-HF5842F-ZE<br>IPC-HF5442F-ZE<br>IPC-HF5452F-ZE<br>IPC-HF552F-ZE<br>IPC-HF582F-ZE | PFL1040-A12PE<br>PFL010542-A12PE<br>PFL1040-K9PE<br>PFL1040-K9M<br>PFL1640-L12PE   |

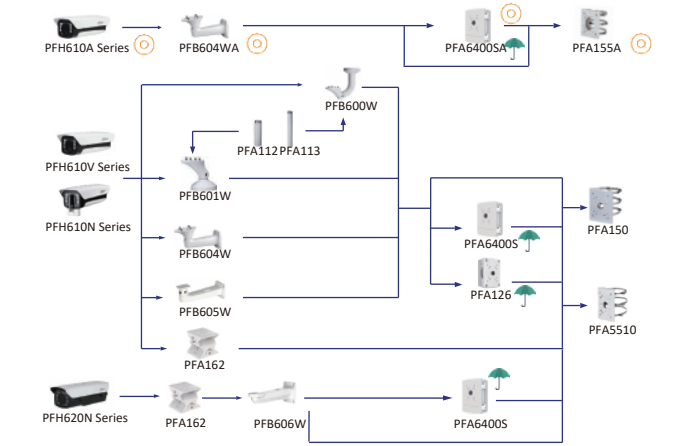
Attention: The matching of electric cameras and lenses involves procedures, please consult and confirm separately

## Selection of Box Camera



| Series         | PFH610N Series                   | PFH610V Series  | PFH610A Series  | PFH620N Series |
|----------------|----------------------------------|---|---|----------------|
| PFH610N Series | PFH610N-IR-W-POE<br>PFH610N-IR-W | PFH610V<br>PFH610V-H<br>PFH610V-H-POE<br>PFH610V-IR-POE<br>PFH610V-IR | PFA610A<br>PFH610A-H<br>PFH610A-H-POE<br>PFH610A-IR-POE<br>PFH610A-IR-W-POE<br>PFH610A-IR | PFH620N-IR     |

Housing Wall/Plane Mount Ceiling Mount Junction Box Pole/Corner Mount

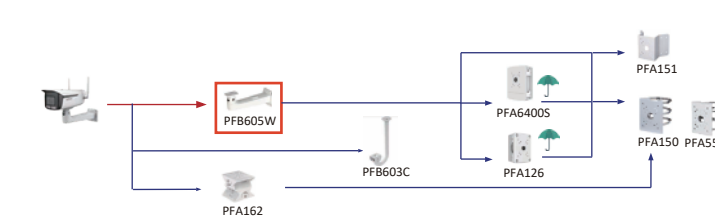


## Selection of Bullet Camera



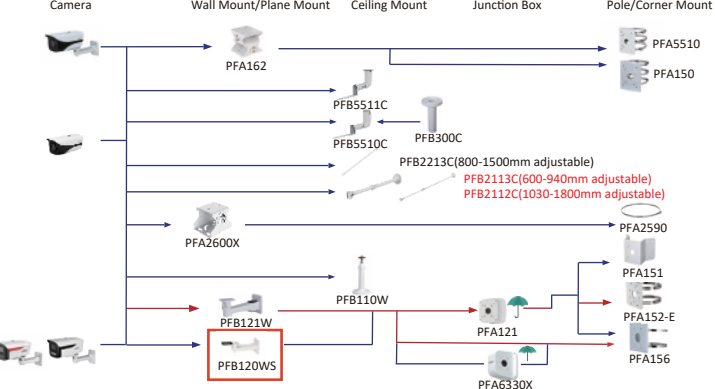
| Shape  | IP Camera                                   | CVI Camera |
|--------|---|------------|
| Camera | IPC-HFW5842DK1-Z-SG<br>IPC-HFW5842DK1-Z4-SG |            |

Camera Wall/Plane Mount Ceiling Mount Junction Box Pole/Corner Mount



| Shape  | IP Camera  | CVI Camera |
|--------|--|------------|
| Camera | IPC-HFW1230M-A-I1-B-S5<br>IPC-HFW1230M-A-I2-B-S5<br>IPC-HFW2231M-AS-I2-B-S2                  |            |
| Camera | IPC-HFW2249M-AS-LED-B<br>IPC-HFW2449M-AS-LED-B   |            |
| Camera | IPC-HFW2249M-S-B-PRO<br>IPC-HFW2449M-S-B-PRO<br>IPC-HFW2649M-S-B-PRO<br>IPC-HFW2849M-S-B-PRO |            |
| Camera | IPC-HFW3441M-AS-SFC-I2   |            |

Camera Wall Mount/Plane Mount Ceiling Mount Junction Box Pole/Corner Mount



## Selection of Bullet Camera



| Shape  | IP Camera   | CVI Camera |
|--------|---|------------|
| Camera | IPC-HFW3441DG-AS-4G-EAU-B<br>IPC-HFW3441DG-AS-4G-LA-B |            |
| Camera | IPC-HFW2431DG-4G-SP-EAU<br>IPC-HFW2431DG-4G-SP-LA     |            |

Camera Wall Mount Ceiling Mount Junction Box Pole/Corner Mount



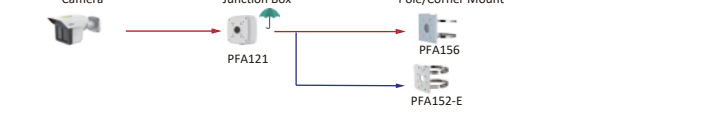
| Shape  | IP Camera                | CVI Camera |
|--------|--------------------------|------------|
| Camera | IPC-PFW5849-A180-E2-ASTE |            |

Camera Junction Box Pole/Corner Mount

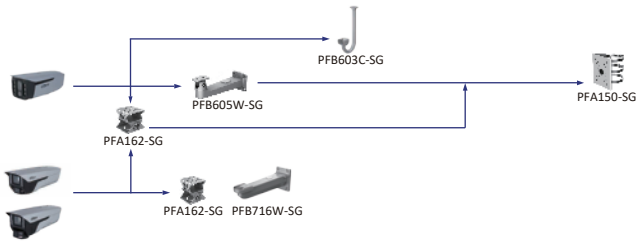


| Shape  | IP Camera            | CVI Camera |
|--------|----------------------|------------|
| Camera | IPC-MFW5241T2-E3-ASE |            |

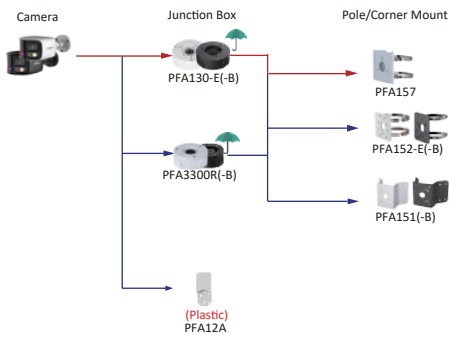
Camera Junction Box Pole/Corner Mount



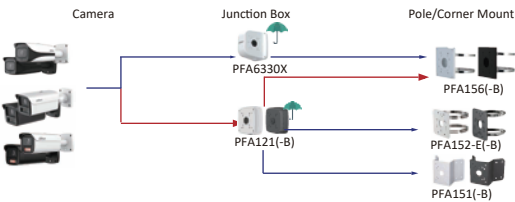
| Shape  | IP Camera  | CVI Camera        |
|--------|--|-------------------|
|        | IPC-MFW7442K1-Z4-T40<br>IPC-MFW7442K1-Z7-T40<br>IPC-MFW7842K1-Z4-T20<br>IPC-MFW7842K1-Z7-T20 |                   |
|        | IPC-MFW7449Y-Z7-T44<br>IPC-MFW7849Y-Z4-T44   |                   |
|        | IPC-MFW7449Y-Z7-T8A<br>IPC-MFW7849Y-Z4-T8A   |                   |
| Camera | Wall Mount/Plane Mount   | Ceiling Mount     |
|        |  | Junction Box      |
|        |  | Pole/Corner Mount |



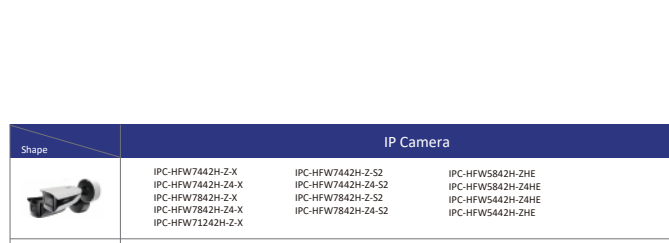
| Shape  | IP Camera               | CVI Camera        |
|--------|-------------------------|-------------------|
|        | IPC-PFW3849S-A180-AS-PV |                   |
| Camera | Junction Box            | Pole/Corner Mount |



| Shape | IP Camera   | CVI Camera   |
|-------|---|--|
|       | IPC-HFW5842E-ZE<br>IPC-HFW5842E-Z4E<br>IPC-HFW5442E-ZE<br>IPC-HFW5442E-Z4E<br>IPC-HFW5442E-ZHE<br>IPC-HFW5842E-ZHE<br>IPC-HFW5541E-ZE<br>IPC-HFW5541E-Z5E           |  |
|       | IPC-HFW54592-ZHE-PV-PRO<br>IPC-HFW56592-ZHE-PV-PRO<br>IPC-HFW58592-ZHE-PV-PRO   |  |
|       | IPC-HFW5459E1-ZE-IL<br>IPC-HFW5559E1-ZE-IL<br>IPC-HFW5859E1-ZE-IL   |  |
|       | IPC-HFW5541E-ZHE<br>IPC-HFW5241E-ZE<br>IPC-HFW5241E-Z5E<br>IPC-HFW5241E-Z12E<br>IPC-HFW5831E-Z5E<br>IPC-HFW5831E-ZE<br>IPC-HFW5442E-ZE-OPAT<br>IPC-HFW5541E-ZE-OPAT | HAC-HFW3231E-Z12-DP-VP-S2<br>HAC-HFW3231E-Z-DP-VP-S2 |



| Shape  | IP Camera              | CVI Camera        |
|--------|------------------------|-------------------|
|        | IPC-HFW8449I-Z-PV      |                   |
| Camera | Wall Mount/Plane Mount | Ceiling Mount     |
|        |                        | Junction Box      |
|        |                        | Pole/Corner Mount |



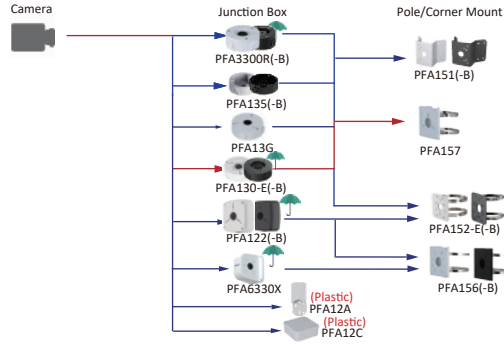
| Shape  | IP Camera  | CVI Camera   |
|--------|--|--|
|        | IPC-HFW7442H-Z-X<br>IPC-HFW7442H-Z4-X<br>IPC-HFW7842H-Z-X<br>IPC-HFW7842H-Z4-X<br>IPC-HFW71242H-Z-X  |  |
|        | IPC-HFW74592I-Z-PV-X<br>IPC-HFW74592I-Z10-PV-X<br>IPC-HFW78592I-Z-PV-X<br>IPC-HFW78592I-Z4-PV-X<br>IPC-HFW78592I-Z7-PV-X                     |  |
|        | IPC-HFW7442H-Z-S2<br>IPC-HFW7442H-Z4-S2<br>IPC-HFW7842H-Z-S2<br>IPC-HFW7842H-Z4-S2   | IPC-HFW5842H-ZHE<br>IPC-HFW5842H-Z4HE<br>IPC-HFW5442H-Z4HE<br>IPC-HFW5442H-ZHE |
|        | IPC-HFW74592I-Z-PV-X-ATC<br>IPC-HFW74592I-Z10-PV-X-ATC<br>IPC-HFW78592I-Z-PV-X-ATC<br>IPC-HFW78592I-Z4-PV-X-ATC<br>IPC-HFW78592I-Z7-PV-X-ATC |  |
| Camera |  | Pole/Corner Mount  |



| Shape | IP Camera   | CVI Camera   |
|-------|---|--|
|       | IPC-HFW3449T1-AS-PV-PRO<br>IPC-HFW3649T1-AS-PV-PRO<br>IPC-HFW3849T1-AS-PV-PRO   |  |
|       | IPC-HFW2241T-AS<br>IPC-HFW2441T-AS<br>IPC-HFW2841T-AS<br>IPC-HFW2541T-AS<br>IPC-HFW2541T-ZS/ZAS   |  |
|       | IPC-HFW5449T-ASE-LED<br>IPC-HFW2249T-AS-IL<br>IPC-HFW2449T-AS-IL<br>IPC-HFW2549T-AS-IL<br>IPC-HFW2649T-AS-IL<br>IPC-HFW2849T-AS-IL  |  |
|       | IPC-HFW5241T-ASE<br>IPC-HFW5241T-SE<br>IPC-HFW5842T-ASE<br>IPC-HFW5842T-SE<br>IPC-HFW5442T-ASE<br>IPC-HFW5442T-SE<br>IPC-HFW5541T-ASE<br>IPC-HFW5541T-SE<br>IPC-HFW4241T-ZAS<br>IPC-HFW4441T-ZAS<br>IPC-HFW4541T-ZAS<br>IPC-HFW4841T-ZAS<br>IPC-HFW4241T-AS   |  |
|       | IPC-HFW4441T-AS<br>IPC-HFW4541T-AS<br>IPC-HFW4841T-AS<br>IPC-HFW4831T-ASE<br>IPC-HFW3241T-ZAS-S2<br>IPC-HFW3441T-ZAS-S2<br>IPC-HFW3541T-ZAS-S2<br>IPC-HFW3841T-ZAS-S2<br>IPC-HFW3241T-ZS-S2<br>IPC-HFW3441T-ZS-S2<br>IPC-HFW3541T-ZS-S2<br>IPC-HFW3841T-ZS-S2<br>IPC-HFW1230T-ZS-S5<br>IPC-HFW1431T-ZS-S4 | HAC-HFW2501TU-Z-A-POC-S2<br>HAC-HFW2501TU-A-POC-S2<br>HAC-HFW2241TU-Z-A-POC-S2<br>HAC-HFW2241TU-A-POC-S2<br>HAC-HFW2802TU-Z-A-S2<br>HAC-HFW2802TU-Z-A-DP-S2<br>HAC-HFW2802TU-A<br>HAC-HFW2501TU-Z-A-S2<br>HAC-HFW2501TU-Z-A-DP-S2<br>HAC-HFW2501TU-A-S2<br>HAC-HFW2241TU-Z-A-S2<br>HAC-HFW2241TU-Z-A-DP-S2<br>HAC-HFW2241TU-A-S2 |
|       |   | HAC-HFW2509TU-A-LED<br>HAC-HFW2249TU-A-LED<br>HAC-HFW1509TU-Z-A-LED-S2<br>HAC-HFW1509TU-Z-A-LED-S3   |
|       | IPC-HFW3441T-AS-P   |  |
|       | IPC-HFW5449T1-ZE-LED(S2)<br>IPC-HFW5849T1-ASE-LED(S2)<br>IPC-HFW5449T1-ASE-D2<br>IPC-HFW3449T1-AS-PV(S5)<br>IPC-HFW3549T1-AS-PV(S5)<br>IPC-HFW3849T1-AS-PV(S5)  |  |
|       | IPC-HFW3449T1-ZAS-PV(S5)<br>IPC-HFW3549T1-ZAS-PV(S5)<br>IPC-HFW3849T1-ZAS-PV(S5)  |  |
|       |   | HAC-ME1509TH-A-PV-S2<br>HAC-ME1509TH-A-PV<br>HAC-ME1239TH-A-PV   |
|       |   | HAC-HFW1801TM-IL-S3<br>HAC-HFW1500TM-IL-A-S3<br>HAC-HFW1231TM-IL-A-S3<br>HAC-HFW1200TM-A-S6<br>HAC-HFW1239TM-A-LED-S3  |
|       |   | HAC-HFW1800TH-IL<br>HAC-HFW1500TH-IL-S3<br>HAC-HFW1200TH-IL-A-S6<br>HAC-HFW1200TH-IL-A-S5<br>HAC-HFW1200TH-IL-A-POC-S2<br>HAC-HFW1801TH-IL-S3  |
|       | IPC-HFW5449T1-ZE-PV(-Black)<br>IPC-HFW5649T1-ZE-PV(-Black)<br>IPC-HFW5849T1-ZE-PV(-Black)<br>IPC-HFW5449T1-ASE-PV(-Black)<br>IPC-HFW5649T1-ASE-PV(-Black)<br>IPC-HFW5849T1-ASE-PV(-Black)   | IPC-HFW5459T1-ASE-PV-PRO<br>IPC-HFW5659T1-ASE-PV-PRO<br>IPC-HFW5859T1-ASE-PV-PRO   |

| Shape | IP Camera   | CVI Camera   |
|-------|---|--|
|       | IPC-HFW3449T1-AS-PV-PRO<br>IPC-HFW3649T1-AS-PV-PRO<br>IPC-HFW3849T1-AS-PV-PRO   |  |
|       | IPC-HFW2241T-AS<br>IPC-HFW2441T-AS<br>IPC-HFW2841T-AS<br>IPC-HFW2541T-AS<br>IPC-HFW2541T-ZS/ZAS   |  |
|       | IPC-HFW5449T-ASE-LED<br>IPC-HFW2249T-AS-IL<br>IPC-HFW2449T-AS-IL<br>IPC-HFW2549T-AS-IL<br>IPC-HFW2649T-AS-IL<br>IPC-HFW2849T-AS-IL  |  |
|       | IPC-HFW5241T-ASE<br>IPC-HFW5241T-SE<br>IPC-HFW5842T-ASE<br>IPC-HFW5842T-SE<br>IPC-HFW5442T-ASE<br>IPC-HFW5442T-SE<br>IPC-HFW5541T-ASE<br>IPC-HFW5541T-SE<br>IPC-HFW4241T-ZAS<br>IPC-HFW4441T-ZAS<br>IPC-HFW4541T-ZAS<br>IPC-HFW4841T-ZAS<br>IPC-HFW4241T-AS   |  |
|       | IPC-HFW4441T-AS<br>IPC-HFW4541T-AS<br>IPC-HFW4841T-AS<br>IPC-HFW4831T-ASE<br>IPC-HFW3241T-ZAS-S2<br>IPC-HFW3441T-ZAS-S2<br>IPC-HFW3541T-ZAS-S2<br>IPC-HFW3841T-ZAS-S2<br>IPC-HFW3241T-ZS-S2<br>IPC-HFW3441T-ZS-S2<br>IPC-HFW3541T-ZS-S2<br>IPC-HFW3841T-ZS-S2<br>IPC-HFW1230T-ZS-S5<br>IPC-HFW1431T-ZS-S4 | HAC-HFW2501TU-Z-A-POC-S2<br>HAC-HFW2501TU-A-POC-S2<br>HAC-HFW2241TU-Z-A-POC-S2<br>HAC-HFW2241TU-A-POC-S2<br>HAC-HFW2802TU-Z-A-S2<br>HAC-HFW2802TU-Z-A-DP-S2<br>HAC-HFW2802TU-A<br>HAC-HFW2501TU-Z-A-S2<br>HAC-HFW2501TU-Z-A-DP-S2<br>HAC-HFW2501TU-A-S2<br>HAC-HFW2241TU-Z-A-S2<br>HAC-HFW2241TU-Z-A-DP-S2<br>HAC-HFW2241TU-A-S2 |
|       |   | HAC-HFW2509TU-A-LED<br>HAC-HFW2249TU-A-LED<br>HAC-HFW1509TU-Z-A-LED-S2<br>HAC-HFW1509TU-Z-A-LED-S3   |
|       | IPC-HFW3441T-AS-P   |  |
|       | IPC-HFW5449T1-ZE-LED(S2)<br>IPC-HFW5849T1-ASE-LED(S2)<br>IPC-HFW5449T1-ASE-D2<br>IPC-HFW3449T1-AS-PV(S5)<br>IPC-HFW3549T1-AS-PV(S5)<br>IPC-HFW3849T1-AS-PV(S5)  |  |
|       | IPC-HFW3449T1-ZAS-PV(S5)<br>IPC-HFW3549T1-ZAS-PV(S5)<br>IPC-HFW3849T1-ZAS-PV(S5)  |  |
|       |   | HAC-ME1509TH-A-PV-S2<br>HAC-ME1509TH-A-PV<br>HAC-ME1239TH-A-PV   |
|       |   | HAC-HFW1801TM-IL-S3<br>HAC-HFW1500TM-IL-A-S3<br>HAC-HFW1231TM-IL-A-S3<br>HAC-HFW1200TM-A-S6<br>HAC-HFW1239TM-A-LED-S3  |
|       |   | HAC-HFW1800TH-IL<br>HAC-HFW1500TH-IL-S3<br>HAC-HFW1200TH-IL-A-S6<br>HAC-HFW1200TH-IL-A-S5<br>HAC-HFW1200TH-IL-A-POC-S2<br>HAC-HFW1801TH-IL-S3  |
|       | IPC-HFW5449T1-ZE-PV(-Black)<br>IPC-HFW5649T1-ZE-PV(-Black)<br>IPC-HFW5849T1-ZE-PV(-Black)<br>IPC-HFW5449T1-ASE-PV(-Black)<br>IPC-HFW5649T1-ASE-PV(-Black)<br>IPC-HFW5849T1-ASE-PV(-Black)   | IPC-HFW5459T1-ASE-PV-PRO<br>IPC-HFW5659T1-ASE-PV-PRO<br>IPC-HFW5859T1-ASE-PV-PRO   |

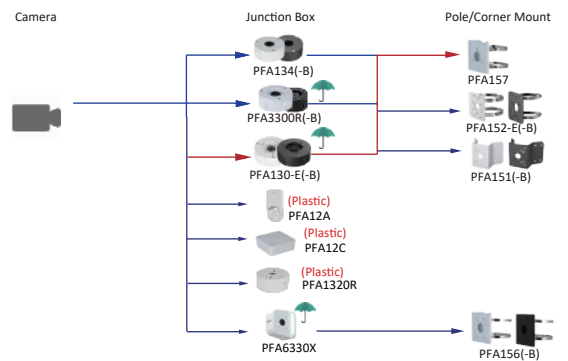
| Shape | IP Camera  | CVI Camera   |
|-------|--|--|
|       |  | HAC-HFW1801R-Z-A-S2<br>HAC-HFW1801R-Z-A-DP-S2<br>HAC-HFW1500R-Z-IRE6-S2<br>HAC-HFW1500R-Z-IRE6-A-S2<br>HAC-HFW1500R-Z-IRE6-A-DP-S2<br>HAC-HFW1500R-Z-IRE6-A-POC-S2<br>HAC-HFW1200R-Z-IRE6-A-POC-S5 |
|       |  | HAC-HFW1509MH-A-LED-S3<br>HAC-HFW1239MH-A-LED-S3   |
|       |  | HAC-HFW1200D-S6  |
|       | IPC-HFW1230T1-ZS-S5<br>IPC-HFW1431T1-ZS-S4   | HAC-B3A51-Z-S2<br>HAC-B3A21-Z  |
|       | IPC-HFW3249T-ZAS-IL<br>IPC-HFW3449T-ZAS-IL<br>IPC-HFW3649T-ZAS-IL<br>IPC-HFW3849T-ZAS-IL     | IPC-HFW3249T-ZS-IL<br>IPC-HFW3449T-ZS-IL<br>IPC-HFW3649T-ZS-IL<br>IPC-HFW3849T-ZS-IL   |
|       | IPC-HFW5449T1-ASE-PV(-Black)<br>IPC-HFW5649T1-ASE-PV(-Black)<br>IPC-HFW5849T1-ASE-PV(-Black) |  |
|       | IPC-HFW5459T-ASE-IL<br>IPC-HFW559T-ASE-IL<br>IPC-HFW589T-ASE-IL                              |  |



| Shape | IP Camera   | CVI Camera   |
|-------|---|--|
|       | IPC-HFW5541E-ASE<br>IPC-HFW5241E-ASE<br>IPC-HFW5842E-ASE<br>IPC-HFW542E-ASE<br>IPC-HFW4241E-AS<br>IPC-HFW4441E-AS<br>IPC-HFW4541E-AS<br>IPC-HFW4841E-AS<br>IPC-HFW3241E-AS-S2<br>IPC-HFW3441E-AS-S2<br>IPC-HFW3541E-AS-S2 | IPC-HFW3841E-AS-S2<br>IPC-HFW3241E-S-S2<br>IPC-HFW3441E-S-S2<br>IPC-HFW3541E-S-S2<br>IPC-HFW3841E-S-S2<br>IPC-HFW3249E-AS-LED<br>IPC-HFW3249E-AS-NI<br>IPC-HFW3449E-AS-LED<br>IPC-HFW3449E-AS-LED<br>IPC-HFW3449E-AS-NI<br>IPC-HFW3549E-AS-LED |
|       | IPC-HFW5449E-SF-LED   |  |
|       |   | HAC-HFW1200TLM-IL-T<br>HAC-HFW1500TLM-IL-T   |
|       |   | HAC-HFW1801T-A-S3<br>HAC-HFW1801T-S3<br>HAC-HFW1800T<br>HAC-HFW1800T-A   |
|       |   | HAC-HFW2509T-A-LED<br>HAC-HFW2249T-A-LED-S2<br>HAC-HFW1809T-A-LED<br>HAC-HFW1509T-A-LED-S3   |
|       |   | HAC-HFW1231TLM-I6-A<br>HAC-HFW1231TLM-I6   |
|       |   | HAC-HFW1809TLM-A-LED<br>HAC-HFW1801TLM-IL-A-S2<br>HAC-HFW1509TLM-A-LED-S3<br>HAC-HFW1509TLM-LED-S3<br>HAC-HFW1500TLM-IL-A-S2   |
|       |   | HAC-HFW1239TLM-IL-A-S3<br>HAC-HFW1239TLM-A-LED-S3<br>HAC-HFW1231TLM-I6-A<br>HAC-HFW1209TLM-IL-A-S6   |
|       |   | HAC-HFW2501CM-A-POC-S2<br>HAC-HFW2241CM-A-POC-S2<br>HAC-HFW1500CM-A-POC-S2<br>HAC-HFW1200CM-A-POC-S5<br>HAC-HFW2802CM-A<br>HAC-HFW2501CM-A-S2<br>HAC-HFW2241CM-A-S2  |
|       | IPC-HFW4231S-S<br>IPC-HFW4531S-S<br>IPC-HFW2241S-S<br>IPC-HFW241S-S<br>IPC-HFW2541S-S   | IPC-HFW2841S-S<br>IPC-HFW2230S-S-S2<br>IPC-HFW2541S-S  |
|       | IPC-HFW2249S-S-IL<br>IPC-HFW2449S-S-IL<br>IPC-HFW2549S-S-IL<br>IPC-HFW2649S-S-IL  | IPC-HFW2849S-S-IL<br>IPC-HFW2249S-S-LED<br>IPC-HFW2449S-S-LED  |
|       | IPC-HFW1230DS-SAW<br>IPC-HFW1430DS-SAW  | IPC-HFW1230DT-STW<br>IPC-HFW1430DT-STW   |
|       | IPC-HFW1230S-S5<br>IPC-HFW1330S-S5<br>IPC-HFW1431S-S4   |  |
|       | IPC-HFW1530S-S6<br>IPC-HFW1830S-S6<br>IPC-HFW1430S-A-S5   | IPC-HFW1430S-S5<br>IPC-HFW1439S-A-LED-S4<br>IPC-HFW1239S-A-LED-S5  |

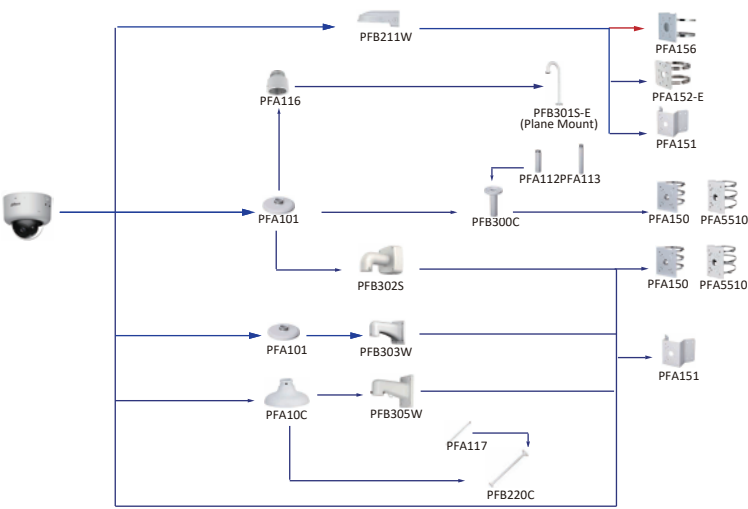
| Shape | IP Camera  | CVI Camera   |
|-------|--|--|
|       | IPC-HFW2249TL-S-PRO<br>IPC-HFW2449TL-S-PRO   | IPC-HFW2649TL-S-PRO<br>IPC-HFW2849TL-S-PRO   |
|       |  | HAC-B2A21-U<br>HAC-B2A51-U   |
|       | IPC-HFW2249TL-S-PV<br>IPC-HFW2449TL-S-PV<br>IPC-HFW2549TL-S-PV   |  |
|       | IPC-HFW1639TC-A-IL<br>IPC-HFW1839TC-A-IL   |  |
|       | IPC-HFW3249E-AS-IL<br>IPC-HFW3449E-AS-IL<br>IPC-HFW3649E-AS-IL<br>IPC-HFW3849E-AS-IL   | IPC-HFW3249E-S-IL<br>IPC-HFW3449E-S-IL<br>IPC-HFW3649E-S-IL<br>IPC-HFW3849E-S-IL                   |
|       |  | HAC-ME1800B-L<br>HAC-ME1500B-L-S2<br>HAC-ME1200B-L-S6  |
|       |  | HAC-ME1800B-LS<br>HAC-ME1200B-LS-S6  |
|       |  | HAC-ME1500D-LS-S2<br>HAC-ME1200D-LS-S6   |
|       | IPC-HFW4231TL1<br>IPC-HFW4531TL1<br>IPC-HFW4231TL1-S   | IPC-HFW4531TL1-S<br>IPC-HFW1439TL1-A-IL<br>IPC-HFW1239TL1-A-IL                                     |
|       |  | HAC-HFW1200TL-S6<br>HAC-HFW1800TL  |
|       |  | HAC-HFW1231C-A<br>HAC-HFW1200C-A-S6<br>HAC-HFW1200C-S6   |
|       |  | HAC-HFW1509C-LED-S3<br>HAC-HFW1509C-A-LED-S3<br>HAC-HFW1239C-IL-A-S3<br>HAC-HFW1239C-A-LED-S3      |
|       |  | HAC-HFW1209CL-A-LED-S3<br>HAC-HFW1209CL-IL-A-S6  |
|       | IPC-HFW1239S1-LED-S5<br>IPC-HFW1239S1-A-LED-S5<br>IPC-HFW1439S1-A-LED-S4<br>IPC-HFW1439S1-LED-S4<br>IPC-HFW1431S1-A-S4<br>IPC-HFW1230S1-A-S5 | IPC-HFW1230S1-S5<br>IPC-HFW1330S1-S5<br>IPC-HFW1431S1-S4<br>IPC-HFW1430S1-A-S5<br>IPC-HFW1430S1-S5 |
|       | IPC-HFW1230S1-SAW<br>IPC-HFW1430S1-SAW   |  |
|       | HAC-HFW1800R   |  |
|       |  | HAC-B1A51-U<br>HAC-B1A21-U<br>HAC-B1A51-U-IL<br>HAC-B1A21-U-IL                                     |
|       | IPC-HFW1239TC1-LED<br>IPC-HFW1439TC1-LED   | IPC-HFW1239TC1-A-LED<br>IPC-HFW1439TC1-A-LED   |
|       | IPC-HFW1230TC-A  | IPC-HFW1431TC-A  |

| Shape | IP Camera   | CVI Camera   |
|-------|---|--|
|       | IPC-HFW5459E-ASE-IL<br>IPC-HFW5559E-ASE-IL<br>IPC-HFW5859E-ASE-IL |  |
|       |   | HAC-HFW1249-IL-PRO<br>HAC-HFW1549-IL-PRO<br>HAC-HFW1249X-IL-A-PRO<br>HAC-HFW1549X-IL-A-PRO |



| Shape | IP Camera   |  |
|-------|---|--|
|       | IPC-HDBW54592-ZHE-PV-PRO<br>IPC-HDBW56592-ZHE-PV-PRO<br>IPC-HDBW58592-ZHE-PV-PRO<br>IPC-HDBW54592-Z4HE-PV-PRO<br>IPC-HDBW56592-Z4HE-PV-PRO<br>IPC-HDBW58592-Z4HE-PV-PRO | IPC-HDBW74592-Z-PV-X<br>IPC-HDBW74592-Z4-PV-X<br>IPC-HDBW78592-Z-PV-X<br>IPC-HDBW78592-Z4-PV-X<br>IPC-HDBW74592-Z-PV-X-ATC<br>IPC-HDBW74592-Z4-PV-X-ATC<br>IPC-HDBW78592-Z-PV-X-ATC<br>IPC-HDBW78592-Z4-PV-X-ATC |

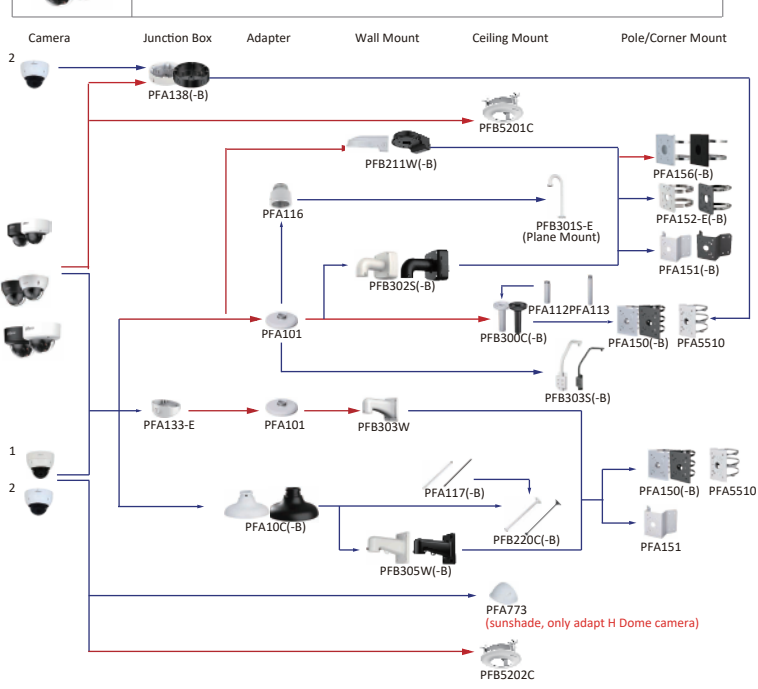
Camera Junction Box Adapter Wall Mount Ceiling Mount Pole/Corner Mount



| Shape | IP Camera   |  |
|-------|---|--|
|       | IPC-HDBW7442H-Z-S2<br>IPC-HDBW7442H-Z4-S2<br>IPC-HDBW7842H-Z-S2<br>IPC-HDBW7842H-Z4-S2                        | IPC-HDBW5442H-Z4HE<br>IPC-HDBW5442H-ZHE<br>IPC-HDBW5842H-ZHE<br>IPC-HDBW5842H-Z4HE |
|       | IPC-HDBW8841H-Z-LB<br>IPC-HDBW8841H-Z4-LB   |  |
|       | IPC-HDBW7442E1-Z-X<br>IPC-HDBW7442E1-Z4-X<br>IPC-HDBW7942E1-Z-X<br>IPC-HDBW7842E1-Z4-X<br>IPC-HDBW71242E1-Z-X |  |

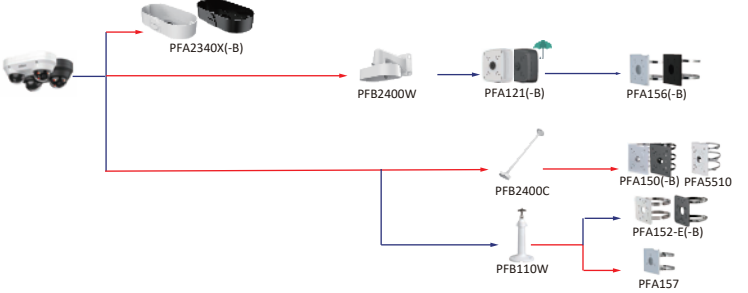
| Shape | IP Camera   |   |   |
|-------|---|---|---|
|       | IPC-HDBW5842E-ZE<br>IPC-HDBW5842E-ZHE<br>IPC-HDBW5442E-ZE<br>IPC-HDBW5442E-Z4E<br>IPC-HDBW5442E-ZHE<br>IPC-HDBW541E-ZE<br>IPC-HDBW5541E-ZE<br>IPC-HDBW5541E-ZHE | IPC-HDBW5541E-Z5E<br>IPC-HDBW5241E-ZE<br>IPC-HDBW5241E-Z5E<br>IPC-HDBW5831E-Z5E<br>IPC-HDBW5831E-ZE<br>IPC-HDBW5231E-ZE-HDMI<br>IPC-HDBW5441E-ZE-HDMI |   |
|       | IPC-HDBW5459E1-ZE-IL<br>IPC-HDBW5559E1-ZE-IL<br>IPC-HDBW5859E1-ZE-IL  | IPC-HDBW5459E1-ZHE-IL<br>IPC-HDBW5559E1-ZHE-IL<br>IPC-HDBW5859E1-ZHE-IL   | IPC-HDBW5459E1-Z4E-IL<br>IPC-HDBW5559E1-Z4E-IL<br>IPC-HDBW5859E1-Z4E-IL |

Camera Junction Box Adapter Wall Mount Ceiling Mount Pole/Corner Mount



| Shape | IP Camera                 |  |
|-------|---------------------------|--|
|       | DH-IPC-HDBW2449F-AS-E2-IL |  |

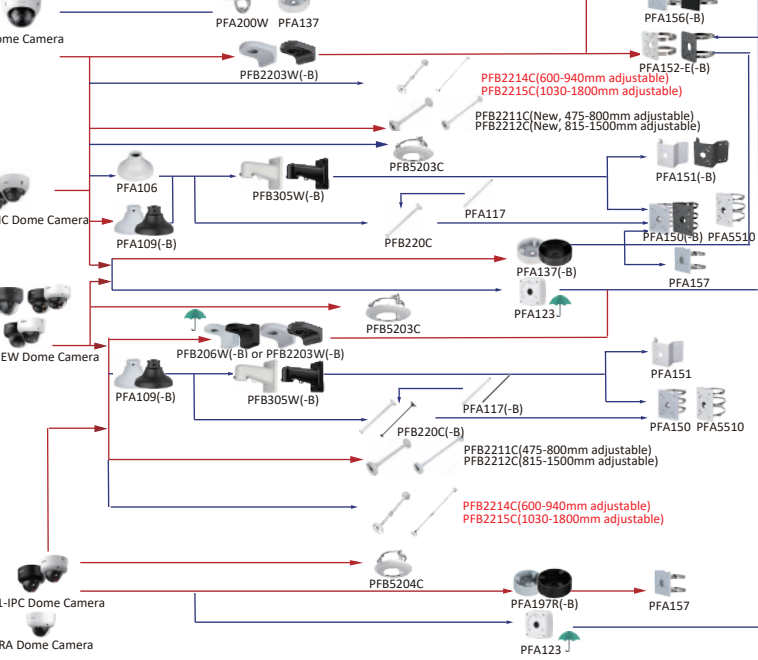
Camera Junction Box Adapter Wall Mount Ceiling Mount Pole/Corner Mount



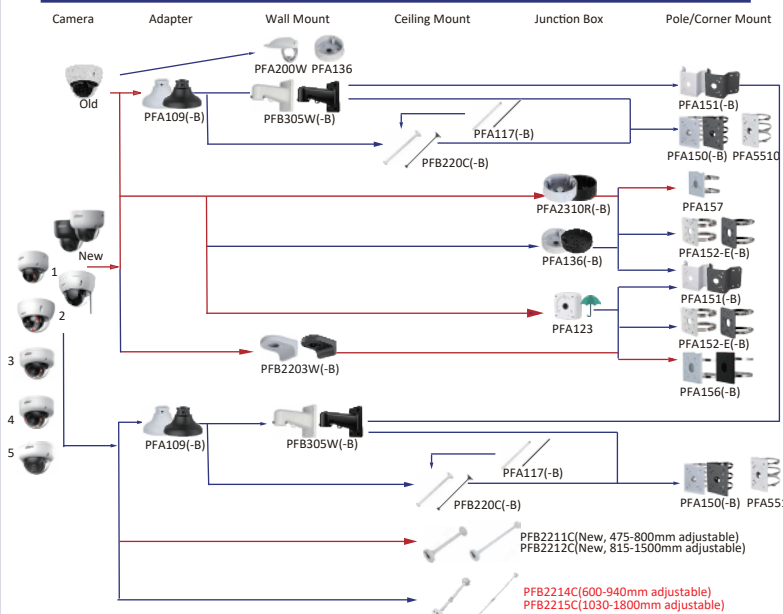
| Shape | IP Camera  | CVI Camera  |
|-------|--|---|
|       | IPC-HDBW5831R-ZE<br>IPC-HDBW2541R-ZS/ZAS<br>IPC-HDBW1230R-ZS-S5<br>IPC-HDBW1431R-ZS-S4   | HAC-HDBW2501R-Z-S2<br>HAC-HDBW2501R-Z-DP-S2<br>HAC-HDBW1500R-Z-S2<br>HAC-HDBW1500R-Z-DP-S2  |
|       | IPC-HDBW2241R-ZS/ZAS<br>IPC-HDBW2441R-ZS/ZAS<br>IPC-HDBW2541R-ZS/ZAS<br>IPC-HDBW2841R-ZS/ZAS   |   |
|       | IPC-HDBW5241R-ASE<br>IPC-HDBW5442R-ASE<br>IPC-HDBW5541R-ASE<br>IPC-HDBW5842R-ASE<br>IPC-HDBW5441R-ASE-HDMI<br>IPC-HDBW5408R-ASE-LED<br>IPC-HDBW5449R1-ZE-LED<br>IPC-HDBW4241R-ZAS<br>IPC-HDBW4441R-ZAS<br>IPC-HDBW4541R-ZAS<br>IPC-HDBW4841R-ZAS | IPC-HDBW3241R-ZAS-S2<br>IPC-HDBW3441R-ZAS-S2<br>IPC-HDBW3541R-ZAS-S2<br>IPC-HDBW3841R-ZAS-S2<br>IPC-HDBW341R-ZS-S2<br>IPC-HDBW3441R-ZS-S2<br>IPC-HDBW3541R-ZS-S2<br>IPC-HDBW3841R-ZS-S2<br>IPC-HDBW3441R-AS-P |
|       | IPC-HDBW3249R-ZAS-IL<br>IPC-HDBW3649R-ZAS-IL<br>IPC-HDBW3249R-ZS-IL<br>IPC-HDBW3649R-ZS-IL   | IPC-HDBW3449R-ZAS-IL<br>IPC-HDBW3849R-ZAS-IL<br>IPC-HDBW3449R-ZS-IL<br>IPC-HDBW3849R-ZS-IL  |
|       | IPC-HDBW5459R-ASE-IL<br>IPC-HDBW5559R-ASE-IL<br>IPC-HDBW5859R-ASE-IL   |   |

| Shape | IP Camera  | CVI Camera  |
|-------|--|---|
|       | IPC-HDBW3449R1-ZAS-PV<br>IPC-HDBW3459R1-ZAS-PV<br>IPC-HDBW3849R1-ZAS-PV<br>IPC-HDBW5459R1-ZE-PV-PRO<br>IPC-HDBW5659R1-ZE-PV-PRO<br>IPC-HDBW5859R1-ZE-PV-PRO<br>IPC-HDBW5459R1-ASE-PV-PRO<br>IPC-HDBW5559R1-ASE-PV-PRO<br>IPC-HDBW5859R1-ASE-PV-PRO |   |
|       |  | HAC-HDBW2802RA-Z-A-S2<br>HAC-HDBW2802RA-Z-A-DP-S2<br>HAC-HDBW2501RA-Z-A-S2<br>HAC-HDBW2501RA-Z-A-DP-S2<br>HAC-HDBW2501RA-Z-A-POC-S2<br>HAC-HDBW241RA-Z-A-S2<br>HAC-HDBW241RA-Z-A-DP-S2<br>HAC-HDBW2241RA-Z-A-POC-S2 |
|       |  | HAC-HDBW1801RA-Z-A-S2<br>HAC-HDBW1801RA-Z-A-DP-S2<br>HAC-HDBW1231RA-Z-A<br>HAC-HDBW1231RA-Z-A-DP<br>HAC-HDBW1200RA-Z-A-S6<br>HAC-HDBW1200RA-Z-A-DP-S6<br>HAC-HDBW1200RA-Z-S6<br>HAC-HDBW1239RA-IL-A-S3              |

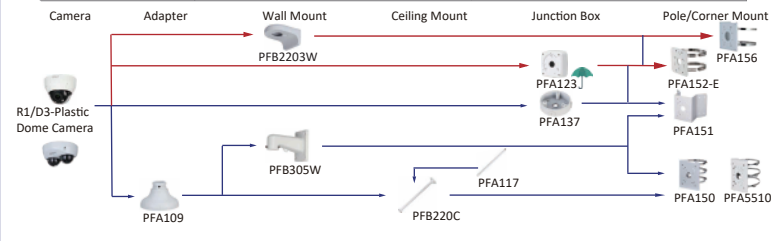
Camera Adapter Wall Mount Ceiling Mount Junction Box Pole/Corner Mount



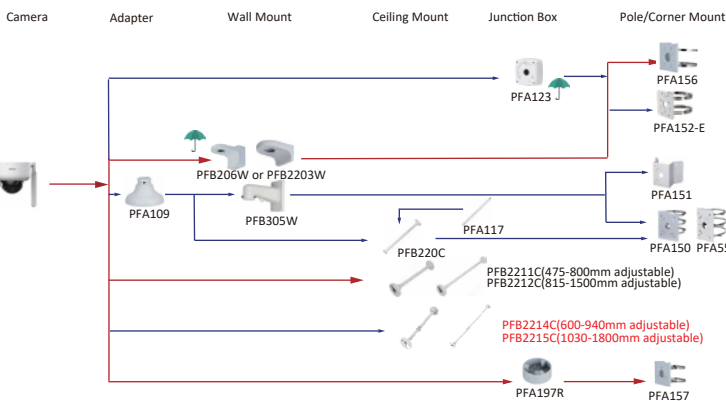
| Shape | IP Camera   |  | CVI Camera       |
|-------|---|--|------------------|
|       | IPC-HDBW4831E-ASE<br>IPC-HDBW2241E-S<br>IPC-HDBW2441E-S<br>IPC-HDBW2541E-S<br>IPC-HDBW2841E-S<br>IPC-HDBW3249E-AS-NI<br>IPC-HDBW3449E-AS-NI | IPC-HDBW1230E-S5<br>IPC-HDBW1431E-S4<br>IPC-HDBW1530E-S6<br>IPC-HDBW1830E-S6<br>IPC-HDBW1430E-S5<br>IPC-HDBW4231E-S<br>IPC-HDBW4531E-S | HAC-HDBW2501E-S2 |
|       | IPC-HDBW4241E-AS<br>IPC-HDBW4441E-AS<br>IPC-HDBW4541E-AS<br>IPC-HDBW4841E-AS<br>IPC-HDBW3241E-AS-S2<br>IPC-HDBW3441E-AS-S2                  | IPC-HDBW3541E-AS-S2<br>IPC-HDBW3841E-AS-S2<br>IPC-HDBW3241E-S-S2<br>IPC-HDBW3441E-S-S2<br>IPC-HDBW3541E-S-S2<br>IPC-HDBW3841E-S-S2     |                  |
|       | IPC-HDBW1230DE-SW   |  |                  |
| 1     | IPC-HDBW3249E-AS-IL<br>IPC-HDBW3449E-AS-IL<br>IPC-HDBW3649E-AS-IL<br>IPC-HDBW3849E-AS-IL  | IPC-HDBW3249E-S-IL<br>IPC-HDBW3449E-S-IL<br>IPC-HDBW3649E-S-IL<br>IPC-HDBW3849E-S-IL   |                  |
| 2     | IPC-HDBW2249E-S-IL<br>IPC-HDBW2449E-S-IL<br>IPC-HDBW2549E-S-IL<br>IPC-HDBW2649E-S-IL<br>IPC-HDBW2849E-S-IL                                  |  |                  |
| 3     | IPC-HDBW1239E1-A-IL<br>IPC-HDBW1439E1-A-IL<br>IPC-HDBW1639E1-A-IL<br>IPC-HDBW1839E1-A-IL  | IPC-D1E29-A-IL<br>IPC-D1E49-A-IL   |                  |
| 4     | IPC-D1E20-A<br>IPC-D1E40-A<br>IPC-D1E20<br>IPC-D1E40  |  |                  |



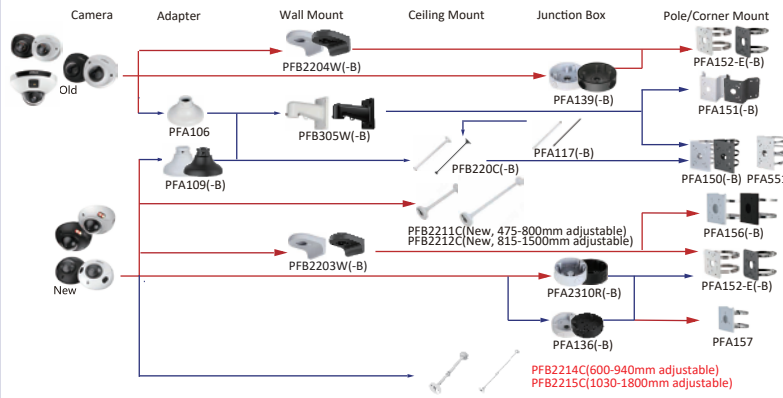
| Shape | IP Camera   | CVI Camera                                    |
|-------|---|---|
|       | IPC-HDPW1230R1-ZS-S5<br>IPC-HDPW1431R1-ZS-S4<br>IPC-HDPW1230R1-S5<br>IPC-HDPW1431R1-S4<br>IPC-HDPW1430R1-S5 | HAC-D3A51-Z-S3<br>HAC-D3A21-Z<br>HAC-D3A21-VF |
|       | IPC-HDBW5441F-AS-E2   |   |



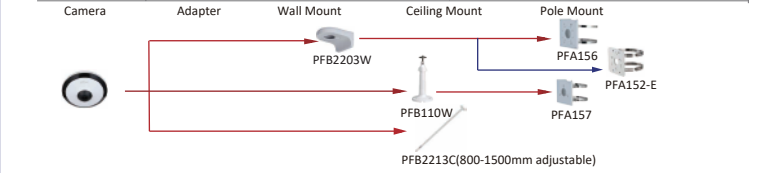
| Shape | IP Camera   | CVI Camera |
|-------|---|------------|
|       | IPC-HDBW3441DR1-AST-4G-LA<br>IPC-HDBW3441DR1-AST-4G-EAU |            |



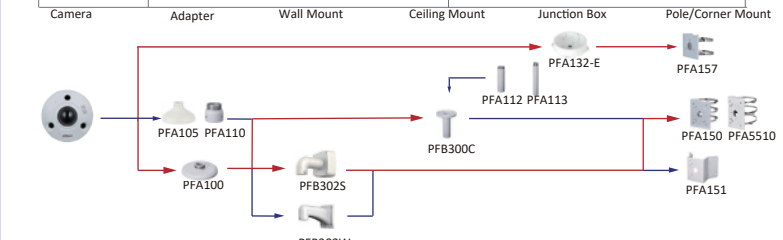
| Shape | IP Camera  | CVI Camera                               |
|-------|--|--|
|       | IPC-HDBW2231F-AS-S2<br>IPC-HDBW2431F-AS-S2   | HAC-HDBW2501F-A-S2<br>HAC-HDBW2241F-A-S2 |
|       | IPC-HDBW2249F-AS-IL<br>IPC-HDBW2449F-AS-IL   |  |
|       | IPC-HDPW5441C-AS-PV  |  |
|       | IPC-HDBW3241F-AS-S2<br>IPC-HDBW3441F-AS-S2<br>IPC-HDBW3541F-AS-S2                        |  |
|       | IPC-HDBW3249F-AS-IL<br>IPC-HDBW3449F-AS-IL<br>IPC-HDBW3649F-AS-IL<br>IPC-HDBW3849F-AS-IL |  |

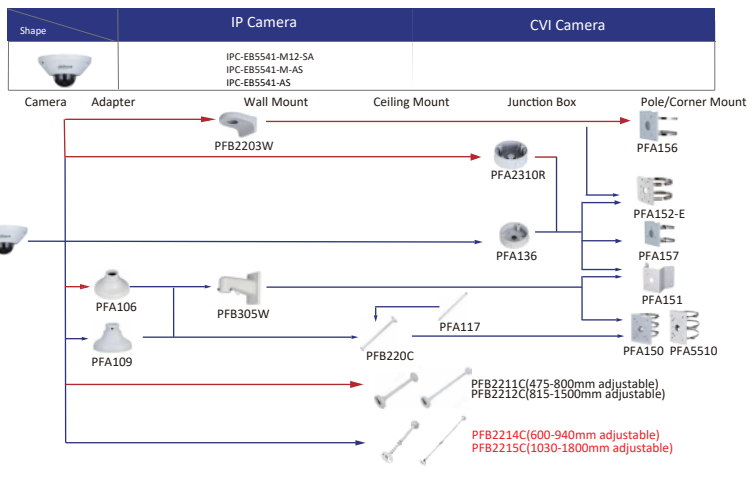
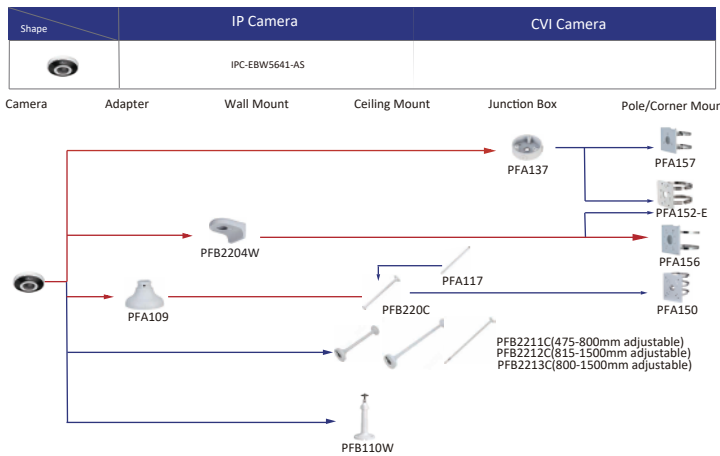


| Shape | IP Camera     | CVI Camera |
|-------|---------------|------------|
|       | IPC-EW5541-AS | HAC-EW2501 |

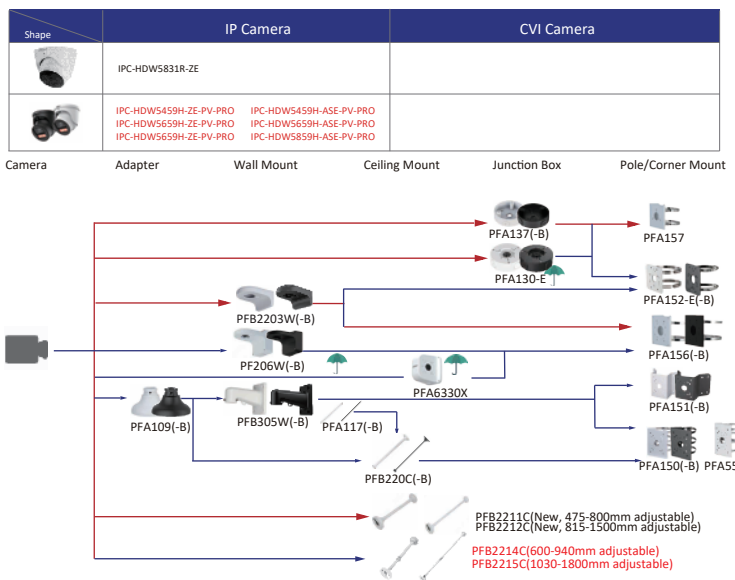
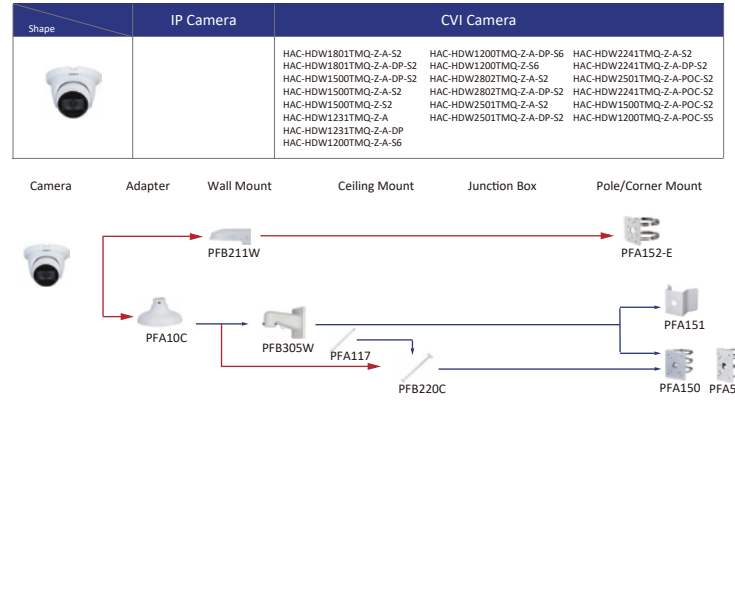
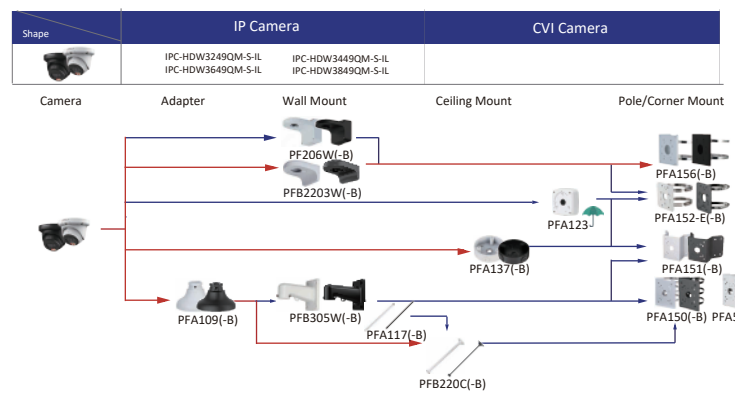


| Shape | IP Camera  | CVI Camera                                   |
|-------|--|--|
|       | IPC-EBW81242-AS-S2<br>IPC-EBW8842-AS<br>IPC-EBW81230 | IPC-EBW81242-AS-IVC-S2<br>IPC-EBW8842-AS-IVC |



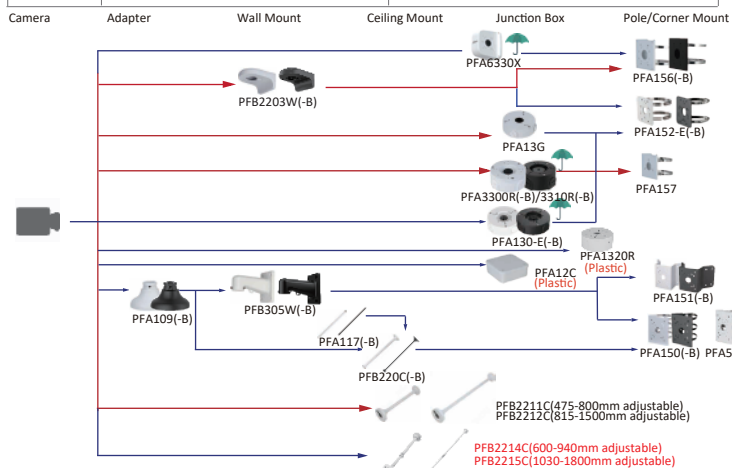


| Shape | IP Camera  | CVI Camera   |   |
|-------|--|--|---|
|       |  | HAC-T3A51-Z-S3<br>HAC-T3A21-Z  |   |
|       |  | HAC-T3A21-VF   |   |
|       | IPC-HDW1230T-ZS-S5<br>IPC-HDW1431T-ZS-S4<br>IPC-HDW3241T-ZS-S2<br>IPC-HDW3441T-ZS-S2<br>IPC-HDW3541T-ZS-S2<br>IPC-HDW3841T-ZS-S2<br>IPC-HDW2241T-ZS<br>IPC-HDW2441T-ZS<br>IPC-HDW2541T-ZS<br>IPC-HDW2841T-ZS | IPC-HDW4241T-ZS<br>IPC-HDW4441T-ZS<br>IPC-HDW4541T-ZS<br>IPC-HDW4841T-ZS<br>IPC-HDW5241T-ZE<br>IPC-HDW5441T-ZE<br>IPC-HDW5441T-ZE<br>IPC-HDW5441T-ZE<br>IPC-HDW5841T-ZE<br>IPC-HDW8421T-ZE |   |
|       |  | HAC-HDW1509T-Z-A-LED-S2<br>HAC-HDW1509T-Z-A-LED-DP-S2  |   |
|       |  | HAC-HDW1239T-Z-A-LED-S3<br>HAC-HDW1239T-Z-A-LED-DP-S3  |   |
|       | IPC-HDW2241TM-S<br>IPC-HDW2441TM-S<br>IPC-HDW2541TM-S<br>IPC-HDW2841TM-S   | IPC-HDW5241TM-ASE<br>IPC-HDW5442TM-ASE<br>IPC-HDW5541TM-ASE<br>IPC-HDW5842TM-ASE   |   |
|       |  | HAC-HDW1500TMQ-A-S2<br>HAC-HDW1500TMQ-S2<br>HAC-HDW1231TMQ-A<br>HAC-HDW1200TMQ-A-S6<br>HAC-HDW1200TMQ-S6<br>HAC-HDW2802TMQ-A-S2<br>HAC-HDW2501TMQ-A-S2                                     | HAC-HDW2241TMQ-A-S2<br>HAC-HDW2501TMQ-A-POC-S2<br>HAC-HDW2241TMQ-A-POC-S2<br>HAC-HDW1500TMQ-A-POC-S2<br>HAC-HDW1200TMQ-A-POC-S5 |
|       | IPC-HDW3249TM-AS-LED<br>IPC-HDW3249TM-AS-NI<br>IPC-HDW3489TM-AS-LED<br>IPC-HDW3489TM-AS-NI<br>IPC-HDW3549TM-AS-LED<br>IPC-HDW2649TM-S-IL   | IPC-HDW2549TM-S-IL<br>IPC-HDW2849TM-S-IL<br>IPC-HDW5449TM-SE-LED-S2<br>IPC-HDW2249TM-S-IL<br>IPC-HDW2449TM-S-IL  |   |
|       | IPC-HDW3449H-AS-PV<br>IPC-HDW3549H-AS-PV<br>IPC-HDW3849H-AS-PV   | IPC-HDW3449H-AS-PV-PRO<br>IPC-HDW3649H-AS-PV-PRO<br>IPC-HDW3849H-AS-PV-PRO   |   |
|       | IPC-HDW2249T-ZS-IL<br>IPC-HDW2549T-ZS-IL<br>IPC-HDW2849T-ZS-IL<br>IPC-HDW2449T-ZS-IL<br>IPC-HDW2649T-ZS-IL<br>IPC-HDW3249T-ZS-IL<br>IPC-HDW3449T-ZS-IL   | IPC-HDW3649T-ZS-IL<br>IPC-HDW3849T-ZS-IL<br>IPC-HDW5449T-ZE-IL<br>IPC-HDW559T-ZE-IL<br>IPC-HDW589T-ZE-IL   |   |
|       | IPC-HDW5849H-ASE-LED<br>IPC-HDW5849H-ASE-LED (S2)<br>IPC-HDW5449H-ASE-O2   |  |   |
|       | IPC-HDW3449H-ZAS-PV<br>IPC-HDW3549H-ZAS-PV<br>IPC-HDW3849H-ZAS-PV  | IPC-HDW3449H-ZAS-PV-PRO<br>IPC-HDW3649H-ZAS-PV-PRO<br>IPC-HDW3849H-ZAS-PV-PRO  |   |
|       | IPC-HDW5449H-ZE-LED<br>5449/5649/5849-ASTE-PV<br>5449/5649/5849-ZE-PV  |  |   |
|       | IPC-PDW5849-A180-E2-ASTE<br>DH-IPC-PDW5849-A180-E2-ASTE  |  |   |
|       | IPC-PDW3849-A180-AS-PV   |  |   |
|       |  | HAC-ME1809H-A-PV-S2<br>HAC-ME1509H-A-PV-S2   |   |
|       |  | HAC-ME1239H-A-PV   |   |

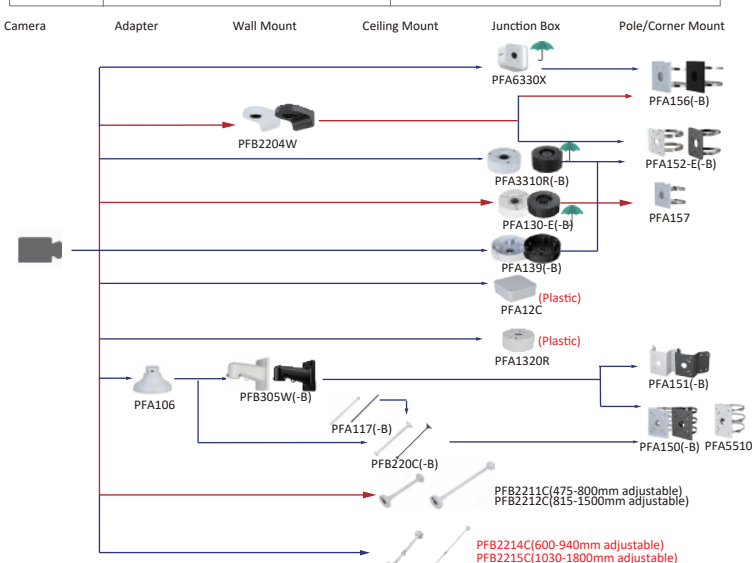


| Shape | IP Camera   | CVI Camera   |
|-------|---|--|
|       |   | HAC-HDW1500TMQ-A-S2<br>HAC-HDW1500TMQ-S2<br>HAC-HDW1231TMQ-A<br>HAC-HDW1231TMQ-A-S6<br>HAC-HDW1200TMQ-A-S6 |
|       | IPC-HDW12305-S5<br>IPC-HDW14315-S4                                      |  |
|       | IPC-HDW12300T-STW<br>IPC-HDW14300T-STW                                  | IPC-HDW12300T-SAW<br>IPC-HDW14300T-SAW   |
|       | T2A-LED<br>T4A-LED  | T2A-PV<br>T4A-PV   |
|       | IPC-HDW2249T-S-PRO<br>IPC-HDW2449T-S-PRO                                | IPC-HDW2649T-S-PRO<br>IPC-HDW2849T-S-PRO   |
|       | IPC-HDW2230T-A-S2<br>IPC-HDW2241T-S<br>IPC-HDW2441T-S<br>IPC-HDW2541T-S | IPC-HDW2841T-S<br>IPC-HDW4231T-S<br>IPC-HDW4531T-S   |
|       |   | HAC-HDW1801TQ-A-S3<br>HAC-HDW1500TQ-A-S3<br>HAC-HDW1231TQ-A<br>HAC-HDW1200TQ-A-S6                          |
|       | IPC-HDW2249T-S-LED<br>IPC-HDW2449T-S-LED                                | HAC-HDW2501TQ-A-S2<br>HAC-HDW2501TQ-A-POC-S2<br>HAC-HDW1500TQ-A-POC-S2<br>HAC-HDW1200TQ-A-POC-S5           |
|       |   | HAC-HDW1209TQ-A-LED-S3<br>HAC-HDW1209TQ-LED-S3   |

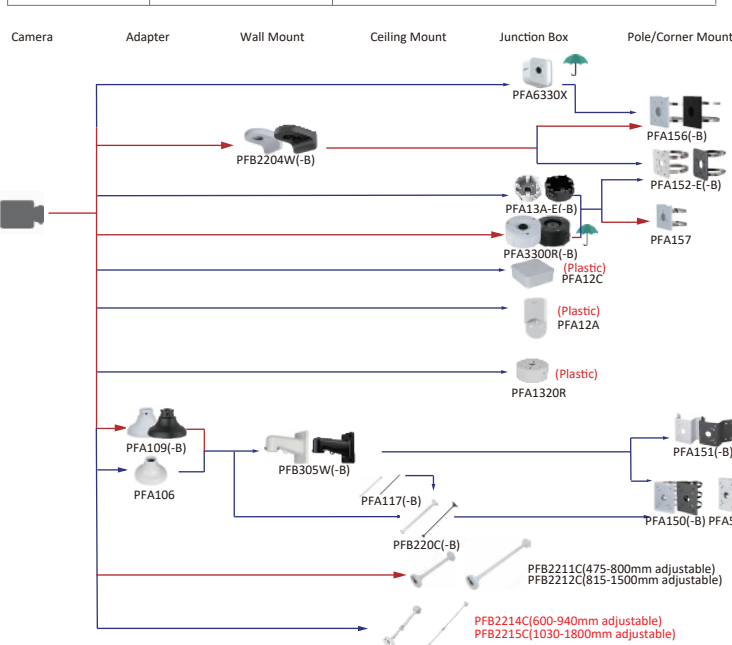
| Shape | IP Camera  | CVI Camera   |
|-------|--|--|
|       | IPC-HDW249T-S-IL<br>IPC-HDW2649T-S-IL<br>IPC-HDW2549T-S-IL   | IPC-HDW2449T-S-IL<br>IPC-HDW2849T-S-IL<br>IPC-HDW23249T-S-IL   |
|       | IPC-HDW1439V-A-IL<br>IPC-HDW1239V-A-IL   |  |
|       | IPC-HDW1230T1-S5<br>IPC-HDW1330T1-S5<br>IPC-HDW1431T1-S4<br>IPC-HDW1430T1-A-S5<br>IPC-HDW1430T1-S5 | IPC-HDW1239T1-LED-S5<br>IPC-HDW1239T1-A-LED-S5<br>IPC-HDW1439T1-A-LED-S4<br>IPC-HDW1439T1-LED-S4<br>IPC-HDW1230T1-A-S5<br>IPC-HDW1431T1-A-S4 |
|       |  | HAC-ME1809TQ-A-PV-S2<br>HAC-ME1509TQ-A-PV-S2<br>HAC-ME1239TQ-A-PV  |
|       |  | HAC-ME1500EQ-L-S2<br>HAC-ME1200EQ-L-S5   |
|       | IPC-HDW5459TM-ASE-IL<br>IPC-HDW559TM-ASE-IL<br>IPC-HDW589TM-ASE-IL                                 |  |
|       | HAC-HDW1249X-IL-PRO<br>HAC-HDW1549X-IL-PRO<br>HAC-HDW1249X-IL-A-PRO<br>HAC-HDW1549X-IL-A-PRO       |  |



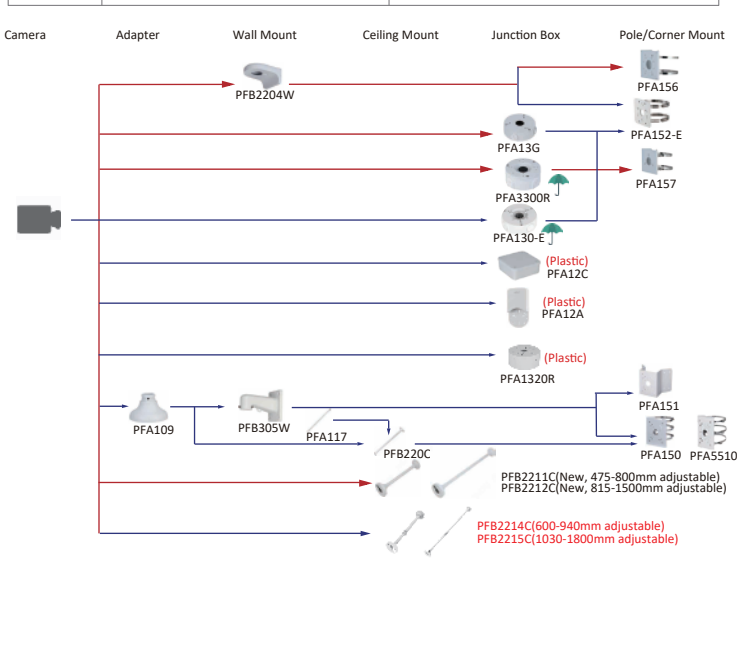
| Shape | IP Camera  | CVI Camera   |
|-------|--|--|
|       | IPC-HDW4241EM-S<br>IPC-HDW4441EM-S<br>IPC-HDW4541EM-S<br>IPC-HDW4841EM-S | IPC-HDW3241EM-S-S2<br>IPC-HDW3441EM-S-S2<br>IPC-HDW3541EM-S-S2<br>IPC-HDW3841EM-S-S2   |
|       | IPC-HDW4831EM-ASE  | HAC-HDW1200EM-A-S6<br>HAC-HDW1200EM-S6   |
|       |  | HAC-HDW1801T-A-S3<br>HAC-HDW1801T-S3<br>HAC-HDW2802T-A   |
|       |  | HAC-HDW1809T-A-LED<br>HAC-HDW1801T-IL-A-S3<br>HAC-HDW1509T-IL-A-S3<br>HAC-HDW1500T-IL-A-S3<br>HAC-HDW1239T-IL-A-S3<br>HAC-HDW1209T-IL-A-S3<br>HAC-HDW1200T-IL-A-S6 |
|       |  | HAC-HDW2509T-A-LED<br>HAC-HDW2249T-A-LED-S2<br>HAC-HDW1509T-LED-S3<br>HAC-HDW1509T-A-LED-S3<br>HAC-HDW1509T-A-LED-POC-S2<br>HAC-HDW1239T-A-LED-S3                  |



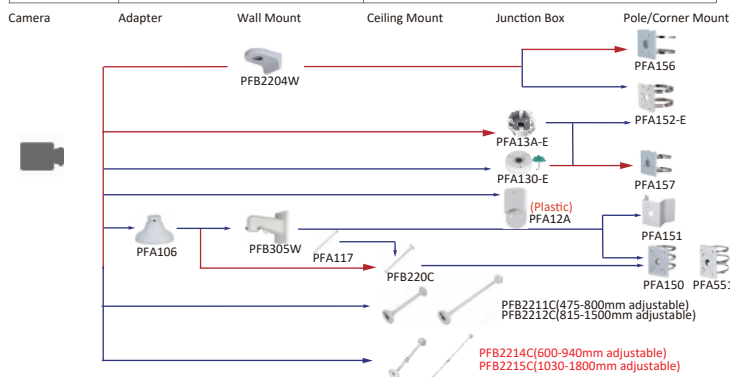
| Shape | IP Camera | CVI Camera  |
|-------|-----------|---|
|       |           | HAC-HDW1801TLM-A-S3<br>HAC-HDW1801TLM-S3<br>HAC-HDW1800TLM-A<br>HAC-HDW1800TLM<br>HAC-HDW1500TLM-A-S3<br>HAC-HDW1500TLM-S3  |
|       |           | HAC-HDW1809TLM-A-LED<br>HAC-HDW1801TLM-IL-A-S3<br>HAC-HDW1209TLM-IL-A-S3<br>HAC-HDW1500TLM-IL-A-S3<br>HAC-HDW1200TLM-IL-A-S6<br>HAC-HDW2509TLM-A-LED<br>HAC-HDW2249TLM-A-LED-S2       |
|       |           | HAC-HDW1231TLM-A<br>HAC-HDW2501TLM-A<br>HAC-HDW2802TLM-A<br>HAC-HDW2241TLM-A-S2<br>HAC-HDW2501TLM-A-POC<br>HAC-HDW2241TLM-A-POC-S2<br>HAC-HDW1500TLM-A-POC<br>HAC-HDW1200TLM-A-POC-S5 |
|       |           | HAC-HDW1800M  |



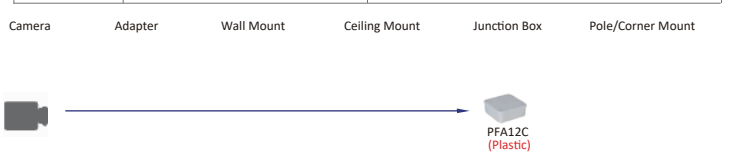
| Shape | IP Camera | CVI Camera   |
|-------|-----------|--|
|       |           | HAC-HDW1801TLQ-A-S3<br>HAC-HDW1801TLQ-S3<br>HAC-HDW1500TLQ-A-S3  |
|       |           | HAC-HDW1509TLQ-LED-S3<br>HAC-HDW1239TLQ-A-LED-S3<br>HAC-HDW1239TLQ-LED-S3                                |
|       |           | HAC-HDW1509TLQ-IL-A-S3<br>HAC-HDW1209TLQ-A-LED-S3<br>HAC-HDW1209TLQ-LED-S3<br>HAC-HDW1200TLQ-IL-A-S6     |
|       |           | HAC-HDW1500TRQ-A-S3<br>HAC-HDW1500TRQ-S3<br>HAC-HDW1231TRQ-A<br>HAC-HDW1200TRQ-A-S6<br>HAC-HDW1200TRQ-S6 |
|       |           | HAC-HDW1800TL<br>HAC-HDW1800TL-A   |



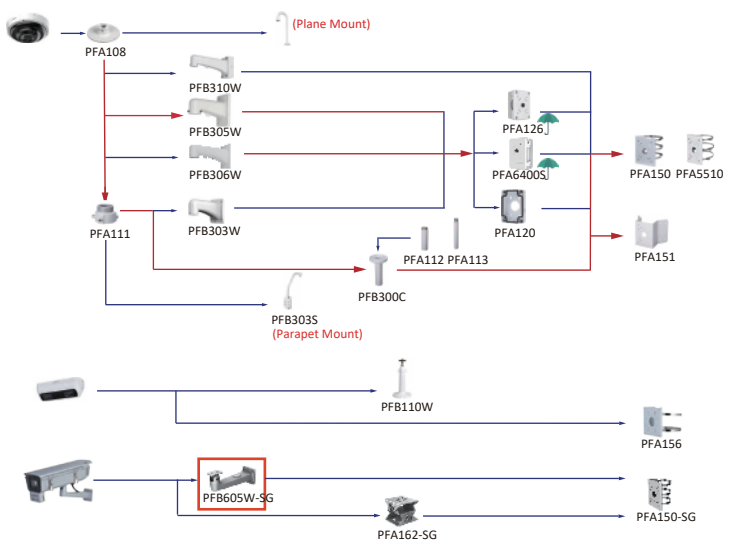
| Shape | IP Camera | CVI Camera                       |
|-------|-----------|----------------------------------|
|       |           | HAC-T2A21-U<br>HAC-T2A51-U       |
|       |           | HAC-T2A21-U-IL<br>HAC-T2A51-U-IL |



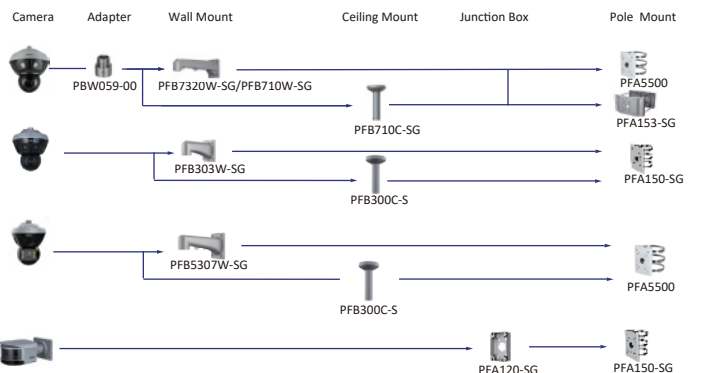
| Shape | IP Camera | CVI Camera                       |
|-------|-----------|----------------------------------|
|       |           | HAC-T1A21-U<br>HAC-T1A51-U       |
|       |           | HAC-T1A21-U-IL<br>HAC-T1A51-U-IL |



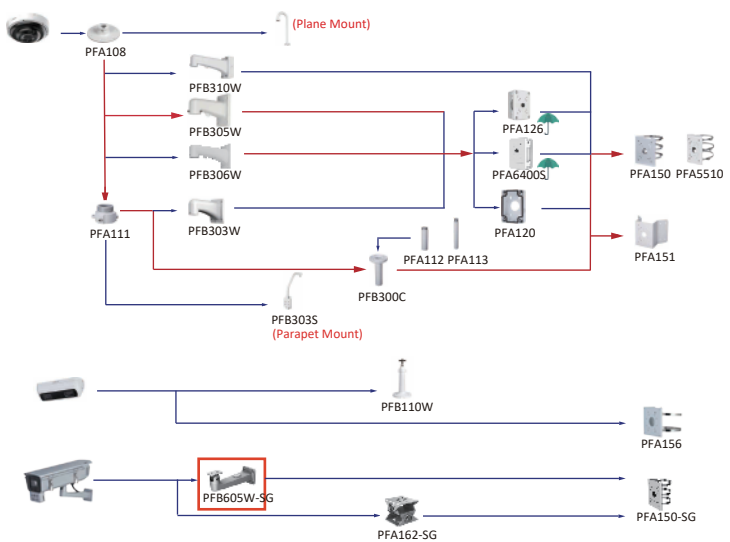
| Camera | Adapter | Wall Mount | Ceiling Mount | Junction Box | Corner/Pole Mount |
|--------|---------|------------|---------------|--------------|-------------------|
|--------|---------|------------|---------------|--------------|-------------------|



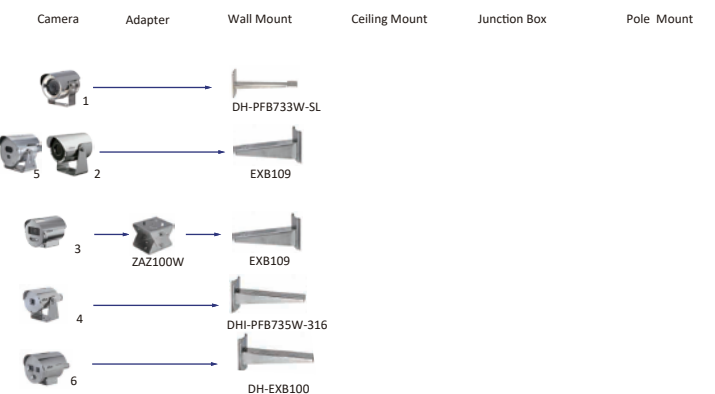
| Shape | Special Camera  |
|-------|---|
|       | PSDW83242M-A360-D845L-S3<br>PSDW82442M-A270-D440-S3<br>PSDW81642M-A180-D440-S3<br>PSDW81642M-A360-D440-S3 |
|       | PSDW81642S-A360-D425<br>PSDW8842S-A180-D425   |
|       | PSDW81652S-A360-D440<br>PSDW8852S-A180-D440<br>PSDW81652S-A360-D440-ATC<br>PSDW8852S-A180-D440-ATC        |
|       | IPC-PFW81642-A180<br>IPC-PFW83242-A180-S2   |
|       | IPC-P8BW82041-B360-S2   |
|       | IPC-HDW8441X-3D<br>IPC-HDW8441X-8V-3D   |
|       | IPC-HFS849G-Z7-LED<br>IPC-HFS849G-Z3-LED  |

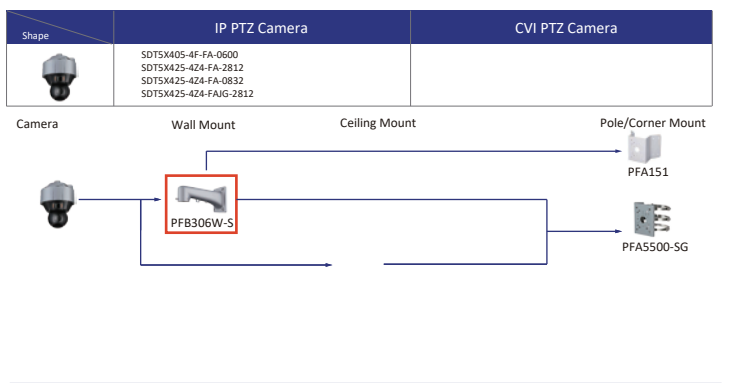
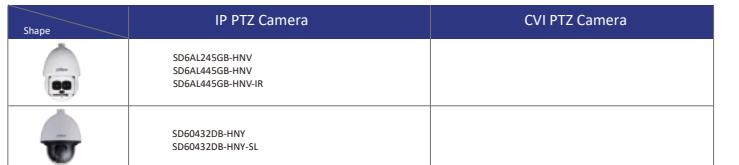
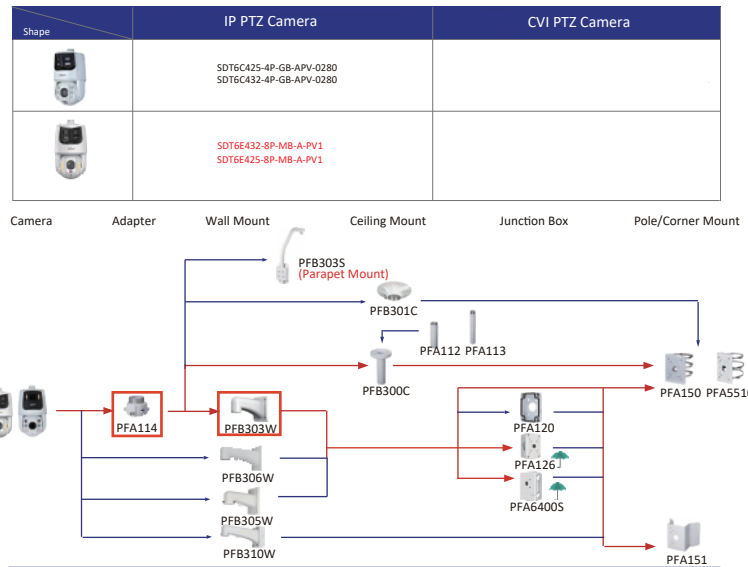
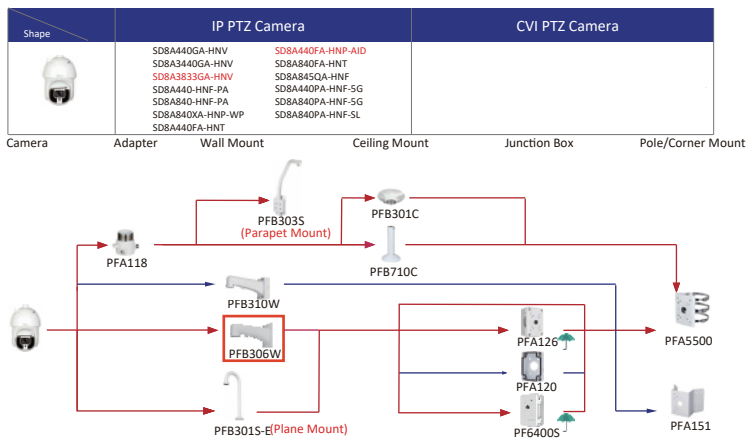
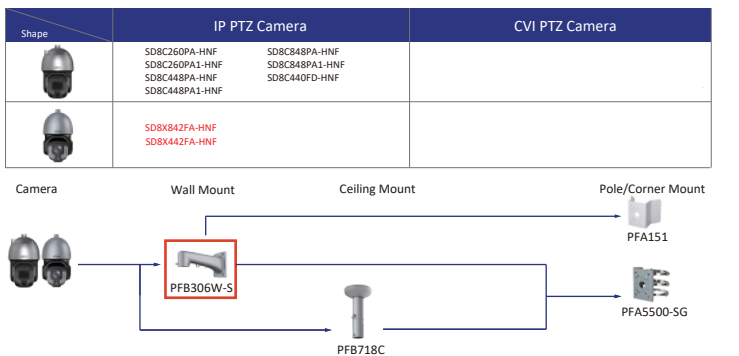
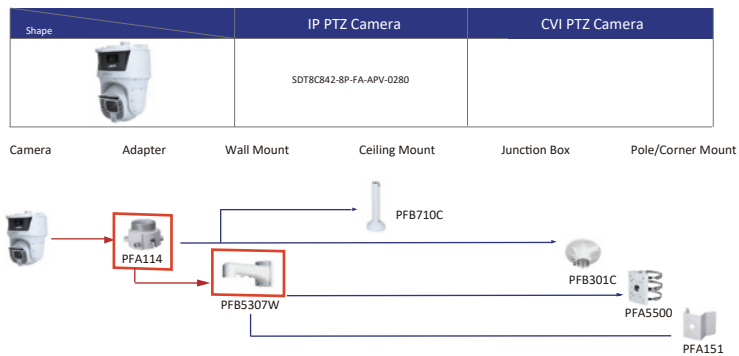
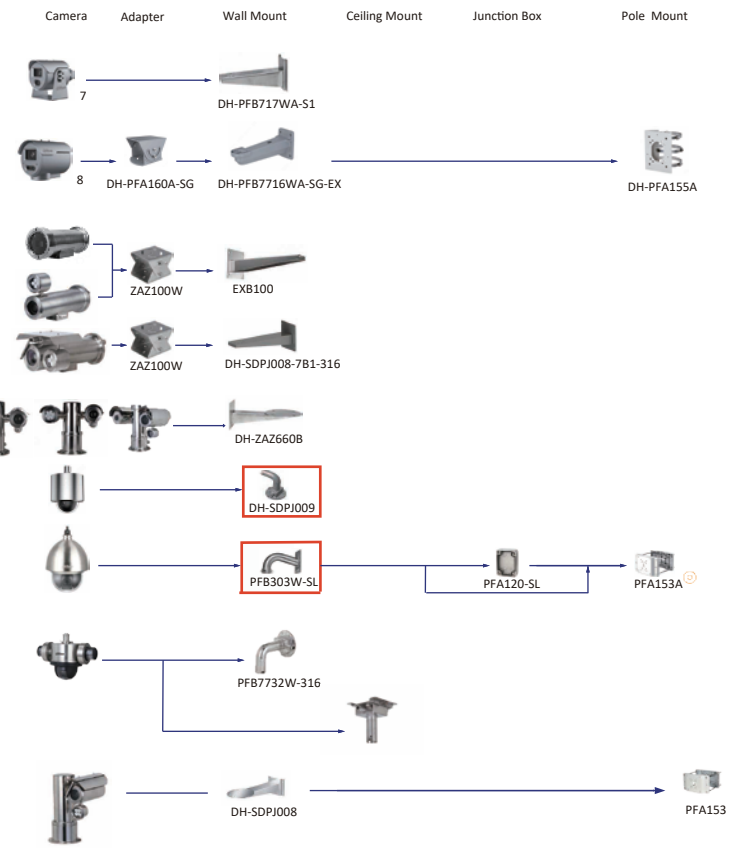


| Camera | Adapter | Wall Mount | Ceiling Mount | Junction Box | Corner/Pole Mount |
|--------|---------|------------|---------------|--------------|-------------------|
|--------|---------|------------|---------------|--------------|-------------------|

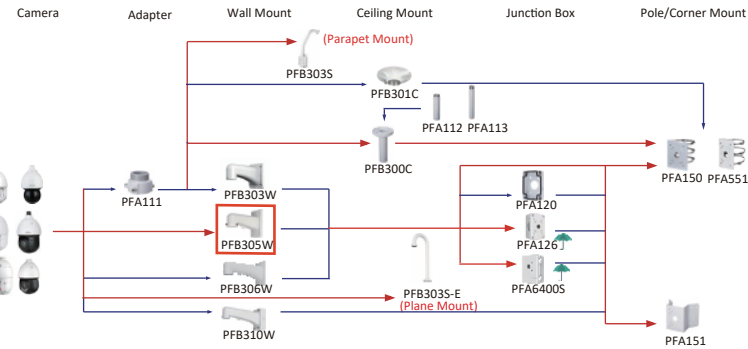


| Shape | Special Camera   | Shape | Thermal Series Special Camera    |
|-------|--|-------|----------------------------------|
|       | SD2W2000T-SL   |       | ECA7A142S-HNR-XA-F               |
|       | SD2W2030U-SL   |       | ECA7B1231-HNP-XA-F               |
|       | SD604320B-HNY-SL   |       | EPC245U-PTZ<br>EPC230U-PTZ       |
|       | ESD41A41S-HNR  |       | EPC230U-PTZ-IR<br>EPC245U-PTZ-IR |
|       | IPC-HDEW8841R-Z<br>IPC-HDEW8441R-Z   |       | TPC-AEPT8641-T<br>TPC-AEPT8441-T |
|       | ECA3A1804-HNR-XB<br>ECA3A1404-HNR-XB<br>(IPC-HFE8441R-Z<br>IPC-HFE841R-Z)                          |       | TPC-AEBF5201-T                   |
|       | ECA2A1400-HN   |       | TPC-AEBF5641-T<br>TPC-AEBF5441-T |
|       | DH-IPC-HFE8441S-AS<br>DH-IPC-HFE8841S-AS   |       |                                  |
|       | DH-IPC-HFE8449F-2-PV<br>DH-IPC-HFE8449F-2-PV-AC<br>DH-IPC-HFE8849F-2-PV<br>DH-IPC-HFE8849F-2-PV-AC |       |                                  |
|       | ESD8A142S-HNR-F  |       |                                  |
|       | EPT9A182S-HNR-F<br>EPT9A144S-HNR-F   |       |                                  |

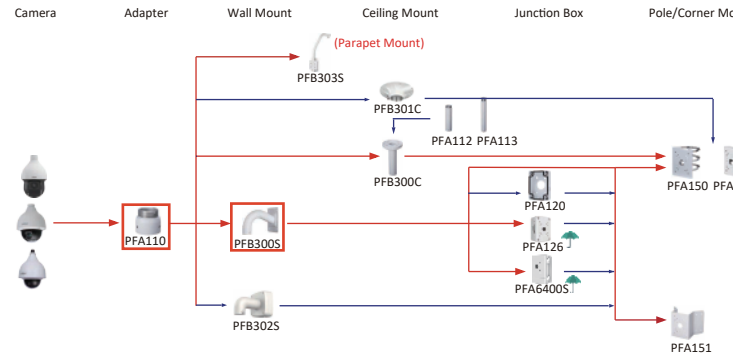




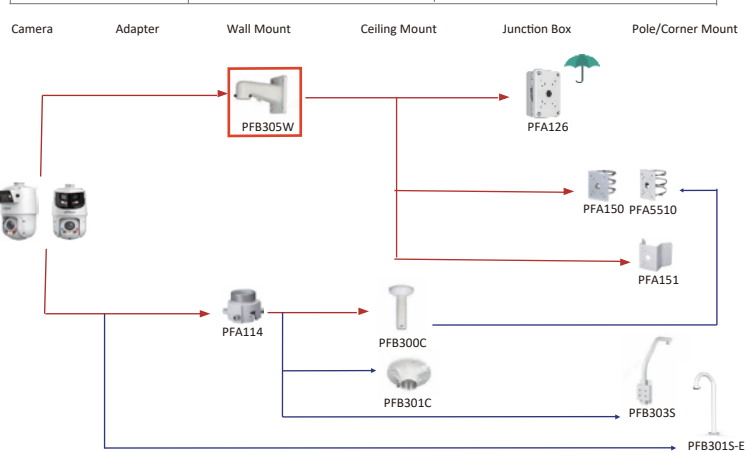
| Shape | IP PTZ Camera   | CVI PTZ Camera   |
|-------|---|--|
|       |   | SD6C3232DB-HC<br>SD6C3225DB-HC   |
|       | SD6E425MB-HNR-A-PV1<br>SD6E232MB-HNR-A-PV1<br>SD6E432MB-HNR-A-PV1                 | SD6E245MB-HNR-A-PV1<br>SD6E445MB-HNR-A-PV1<br>SD6E825MA-HNR-A-PV1                    |
|       | SD5A825GA-HNR<br>SD5A825GB-HNR<br>SD5A445GB-HNR<br>SD5A432MB-HNR<br>SD5A425GA-HNR | SD5A425MB-HNR<br>SD5A245GB-HNR<br>SD5A232GB-HNR<br>SD5A225GB-HNR<br>SD5A225GB-HNR-SL |
|       | SD49825GB-HNR<br>SD49425GB-HNR<br>SD49225GB-HNR<br>SD49225DB-HNY                  | SD492180B-HC<br>SD492180B-HC   |
|       | SD4E425MB-HNR-A-PV1<br>SD4E225MB-HNR-A-PV1<br>SD4E825GB-HNR-A-PV1                 |  |
|       | SD4D825MB-HNR<br>SD4D425MB-HNR<br>SD4D225DB-HNY                                   |  |



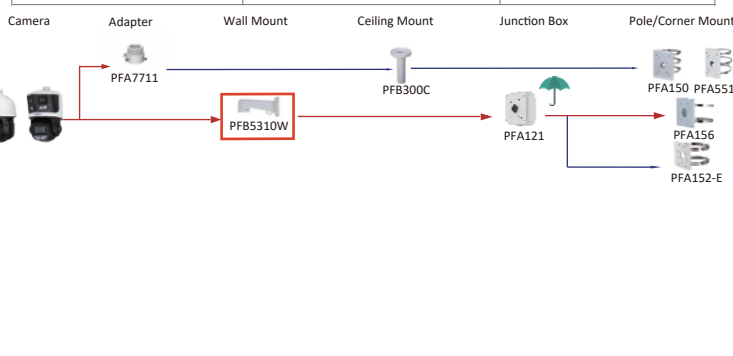
| Shape | IP PTZ Camera                                   | CVI PTZ Camera                   |
|-------|---|----------------------------------|
|       | SDTSX425-424-FAJG-PV-0832                       |                                  |
|       |   | SD59232DB-HC<br>SD59225DB-HC     |
|       | SD50432GB-HNR<br>SD50232GB-HNR<br>SD50225DB-HNY | SD50225DB-HC<br><br>SD402160B-HC |

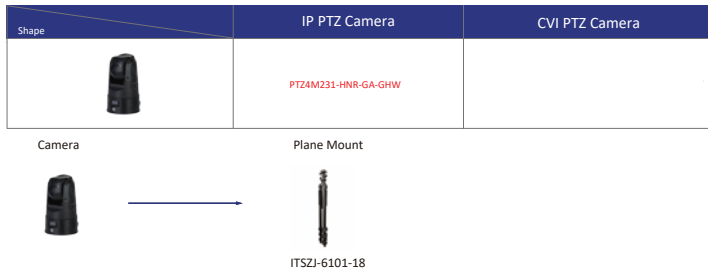
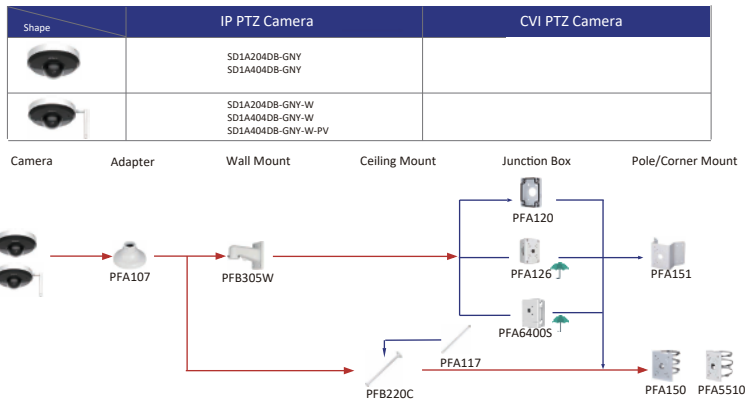
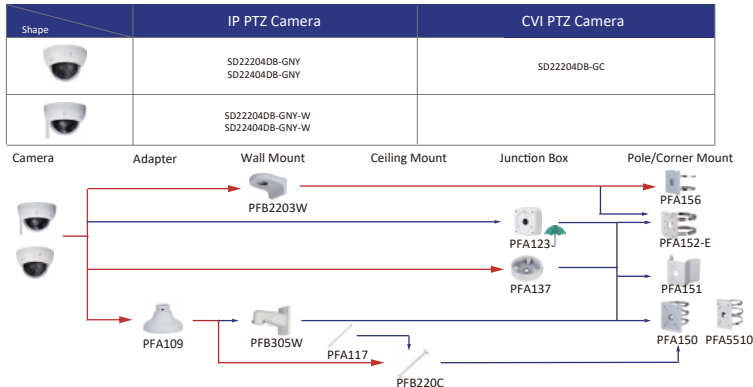
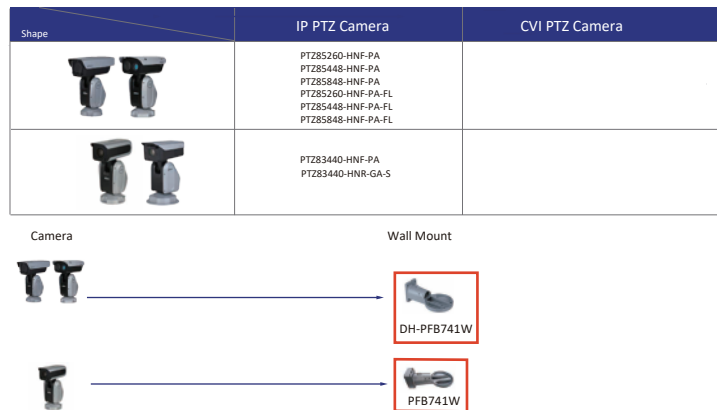
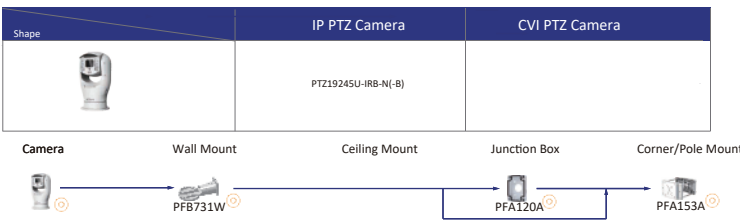
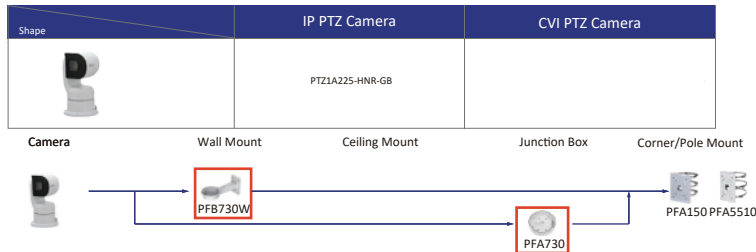
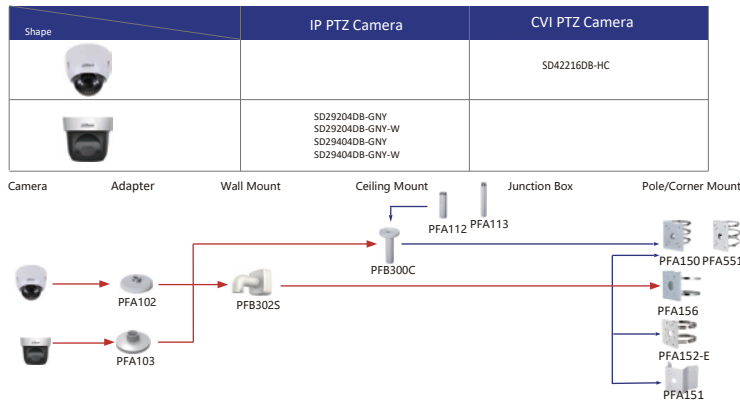
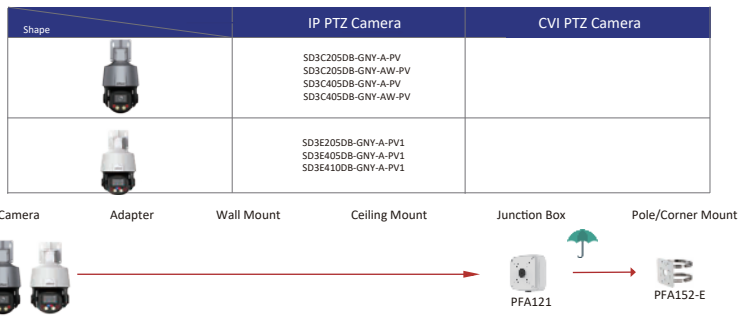


| Shape | IP PTZ Camera   | CVI PTZ Camera |
|-------|---|----------------|
|       | SDT4A404-4F-OA  |                |
|       |   |                |
|       | SDT3A400-GA-HNP-BX  |                |
|       |   |                |
|       | SDT4E425-4F-GB-A-PV1-S2<br>SDT4E225-4F-GB-A-PV1-S2<br>SDT4E425-8P-GB-A-PV1-SL |                |

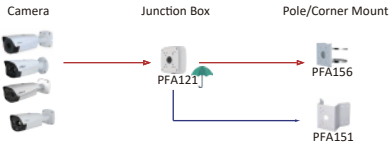


| Shape | IP PTZ Camera                                     | CVI PTZ Camera       |
|-------|---|----------------------|
|       | SD4A425DB-HNY<br>SD4A216DB-HNY<br>SD4A425DB-HNY-R |                      |
|       |   |                      |
|       |   |                      |
|       |   |                      |
|       | SD3D216NB-GNY<br>SD3D416NB-GNY                    | SDT3E410-8P-MB-A-PV1 |

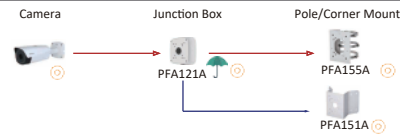




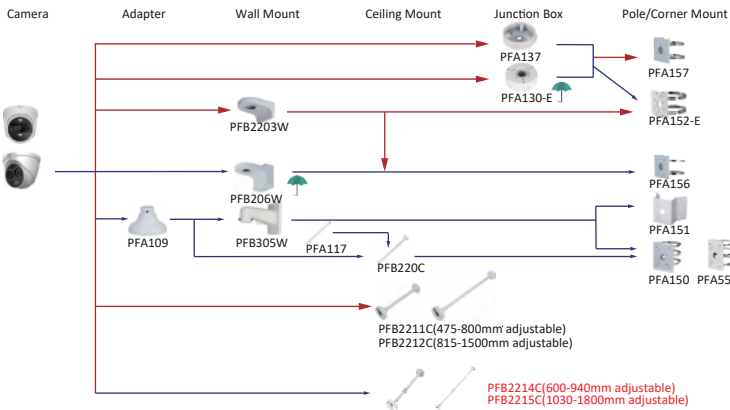
| Shape | Thermal Camera  |   |   |  |
|-------|---|---|---|--|
|       | DHI-TPC-BF5601-85-DC-S2<br>DHI-TPC-BF5601-87-DC-S2<br>DHI-TPC-BF5601-89-DC-S2<br>DHI-TPC-BF5601-813-DC-S2<br>DHI-TPC-BF5601-819-DC-S2<br>DHI-TPC-BF5601-835-DC-S2<br>DHI-TPC-BF5601-835-DC-S2   | DHI-TPC-BF5401-87-8C-S2<br>DHI-TPC-BF5401-813-8C-S2<br>DHI-TPC-BF5401-825-8C-S2<br>DHI-TPC-BF5401-835-8C-S2<br>DHI-TPC-BF5401-187-8C-S2<br>DHI-TPC-BF5401-1813-8C-S2<br>DHI-TPC-BF5401-1825-8C-S2                                   | DHI-TPC-BF5401-TB35-8C-S2   | DHI-TPC-BF5601-T85-DC-S2<br>DHI-TPC-BF5601-T87-DC-S2<br>DHI-TPC-BF5601-T89-DC-S2<br>DHI-TPC-BF5601-T813-DC-S2<br>DHI-TPC-BF5601-T819-DC-S2<br>DHI-TPC-BF5601-T825-DC-S2<br>DHI-TPC-BF5601-T835-DC-S2 |
|       | DHI-TPC-BF5441-87F4-8M-S2<br>DHI-TPC-BF5441-813F6-8M-S2<br>DHI-TPC-BF5441-819F12-8M-S2<br>DHI-TPC-BF5441-825F12-8M-S2<br>DHI-TPC-BF5441-835Z3-8M-S2<br>DHI-TPC-BF5441-T87F4-8M-S2<br>DHI-TPC-BF5441-T813F6-8M-S2<br>DHI-TPC-BF5441-T819F12-8M-S2<br>DHI-TPC-BF5441-T825F12-8M-S2<br>DHI-TPC-BF5441-T835Z3-8M-S2 | DHI-TPC-BF5641-85F4-DC-S5-V1<br>DHI-TPC-BF5641-89F4-DC-S5-V1<br>DHI-TPC-BF5641-813F6-DC-S5-V1<br>DHI-TPC-BF5641-819F12-DC-S5-V1<br>DHI-TPC-BF5641-825F12-DC-S5-V1<br>DHI-TPC-BF5641-835Z3-DC-S5-V1<br>DHI-TPC-BF5641-850Z3-DC-S5-V1 | DHI-TPC-BF5441-87F4-DC-S5-V1<br>DHI-TPC-BF5441-813F6-DC-S5-V1<br>DHI-TPC-BF5441-819F12-DC-S5-V1<br>DHI-TPC-BF5441-825F12-DC-S5-V1<br>DHI-TPC-BF5441-835Z3-DC-S5-V1<br>DHI-TPC-BF5441-850Z3-DC-S5-V1 |  |
|       | DHI-TPC-BF2241-83F4-DW-S2<br>DHI-TPC-BF2241-T83F4-DW-S2<br>DHI-TPC-BF2241-87F8-DW-S2<br>DHI-TPC-BF2241-T87F8-DW-S2  |   |   |  |
|       | DHI-TPC-BF4441-835F12-DC-S2-V1<br>DHI-TPC-BF4441-825F8-DC-S2-V1<br>DHI-TPC-BF4441-819F8-DC-S2-V1<br>DHI-TPC-BF4441-813F6-DC-S2-V1   |   | DHI-TPC-BF4641-89F4-DC-S2-V1<br>DHI-TPC-BF4641-813F6-DC-S2-V1<br>DHI-TPC-BF4641-819F8-DC-S2-V1<br>DHI-TPC-BF4641-825F8-DC-S2-V1<br>DHI-TPC-BF4641-835F12-DC-S2-V1                                   |  |



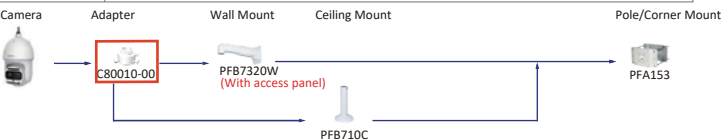
| Shape | Thermal Camera   |
|-------|--|
|       | DHI-TPC-BF5441-813F6-8M-AC-S2<br>DHI-TPC-BF5441-825F12-8M-AC-S2<br>DHI-TPC-BF5441-835Z3-8M-AC-S2 |



| Shape | Thermal Camera   |   |
|-------|--|---|
|       | DHI-TPC-DF1241-82F2-DW-S8<br>DHI-TPC-DF1241-83F4-DW-S8<br>DHI-TPC-DF1241-87F8-DW-S8<br>DHI-TPC-DF1241-87F8-DW-S8-HW<br>DHI-TPC-DF1241-83F4-DW-S8-HW<br>DHI-TPC-DF1241-87F8-DW-S8-HW                | DHI-TPC-DF1241-T82F2-DW-S8<br>DHI-TPC-DF1241-T83F4-DW-S8<br>DHI-TPC-DF1241-T87F8-DW-S8<br>DHI-TPC-DF1241-T87F8-DW-S8-HW<br>DHI-TPC-DF1241-T83F4-DW-S8-HW<br>DHI-TPC-DF1241-T87F8-DW-S8-HW |
|       | DHI-TPC-DF1241-L82F2-DW-S8-V1<br>DHI-TPC-DF1241-L83F4-DW-S8-V1<br>DHI-TPC-DF1241-L87F6-DW-S8-V1<br>DHI-TPC-DF1241-T82F2-DW-S8-V1<br>DHI-TPC-DF1241-T83F4-DW-S8-V1<br>DHI-TPC-DF1241-T87F6-DW-S8-V1 |   |



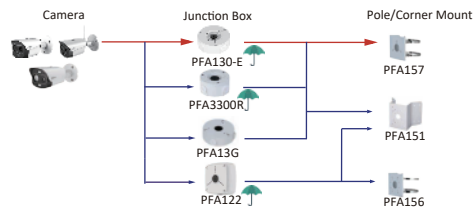
| Shape | Thermal Camera             |
|-------|----------------------------|
|       | TPC-SD8641B<br>TPC-SD8441B |



| Shape | Thermal Camera  |  |
|-------|---|--|
|       | DHI-TPC-BF5441-87F4-8M-J-S2<br>DHI-TPC-BF5441-813F6-8M-J-S2<br>DHI-TPC-BF5441-819F12-8M-J-S2<br>DHI-TPC-BF5441-825F12-8M-J-S2<br>DHI-TPC-BF5441-835Z3-8M-J-S2 | DHI-TPC-BF5441-T87F4-8M-J-S2<br>DHI-TPC-BF5441-T813F6-8M-J-S2<br>DHI-TPC-BF5441-T819F12-8M-J-S2<br>DHI-TPC-BF5441-T825F12-8M-J-S2<br>DHI-TPC-BF5441-T835Z3-8M-J-S2 |

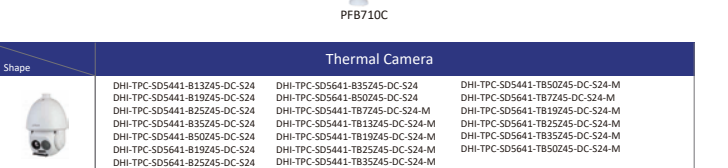


| Shape | Thermal Camera  |   |
|-------|---|---|
|       | DHI-TPC-BF1241-83F4-DW-S8<br>DHI-TPC-BF1241-87F8-DW-S8<br>DHI-TPC-BF1241-810F12-DW-S8<br>DHI-TPC-BF1241-83F4-DW-S8-HW<br>DHI-TPC-BF1241-87F8-DW-S8-HW<br>DHI-TPC-BF1241-810F12-DW-S8-HW                               | DHI-TPC-BF1241-T83F4-DW-S8<br>DHI-TPC-BF1241-T87F8-DW-S8<br>DHI-TPC-BF1241-T810F12-DW-S8<br>DHI-TPC-BF1241-T83F4-DW-S8-HW<br>DHI-TPC-BF1241-T87F8-DW-S8-HW<br>DHI-TPC-BF1241-T810F12-DW-S8-HW |
|       | DHI-TPC-BF1241-83F4-DW-WIFI-S8<br>DHI-TPC-BF1241-87F8-DW-WIFI-S8<br>DHI-TPC-BF1241-810F12-DW-WIFI-S8<br>DHI-TPC-BF1241-83F4-DW-WIFI-S8-HW<br>DHI-TPC-BF1241-87F8-DW-WIFI-S8-HW<br>DHI-TPC-BF1241-810F12-DW-WIFI-S8-HW |   |
|       | DHI-TPC-BF1241-L83F4-DW-S8-V1<br>DHI-TPC-BF1241-L87F6-DW-S8-V1<br>DHI-TPC-BF1241-L810F12-DW-S8-V1<br>DHI-TPC-BF1241-T83F4-DW-S8-V1<br>DHI-TPC-BF1241-T87F6-DW-S8-V1<br>DHI-TPC-BF1241-T810F12-DW-S8-V1                |   |

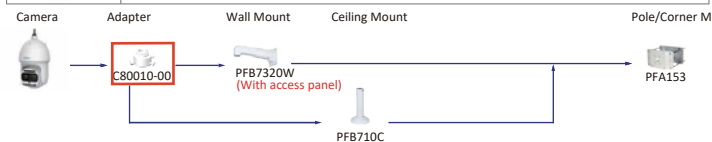
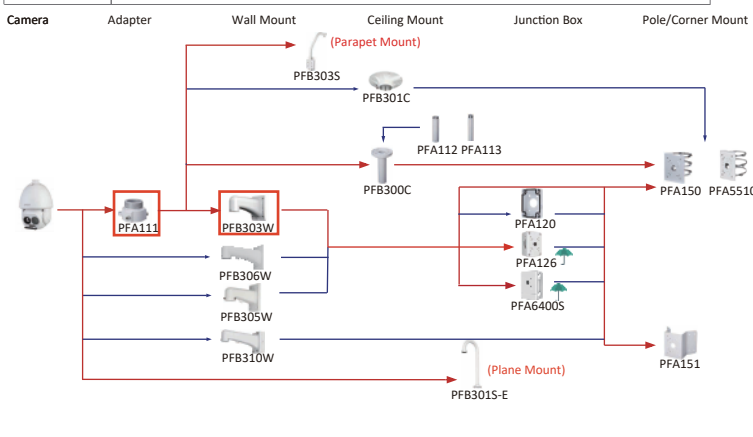


| Shape | Thermal Camera   |   |
|-------|--|---|
|       | DHI-TPC-DF1241-82F2-DW-S8<br>DHI-TPC-DF1241-83F4-DW-S8<br>DHI-TPC-DF1241-87F8-DW-S8<br>DHI-TPC-DF1241-87F8-DW-S8-HW<br>DHI-TPC-DF1241-83F4-DW-S8-HW<br>DHI-TPC-DF1241-87F8-DW-S8-HW                | DHI-TPC-DF1241-T82F2-DW-S8<br>DHI-TPC-DF1241-T83F4-DW-S8<br>DHI-TPC-DF1241-T87F8-DW-S8<br>DHI-TPC-DF1241-T87F8-DW-S8-HW<br>DHI-TPC-DF1241-T83F4-DW-S8-HW<br>DHI-TPC-DF1241-T87F6-DW-S8-HW |
|       | DHI-TPC-DF1241-L82F2-DW-S8-V1<br>DHI-TPC-DF1241-L83F4-DW-S8-V1<br>DHI-TPC-DF1241-L87F6-DW-S8-V1<br>DHI-TPC-DF1241-T82F2-DW-S8-V1<br>DHI-TPC-DF1241-T83F4-DW-S8-V1<br>DHI-TPC-DF1241-T87F6-DW-S8-V1 |   |

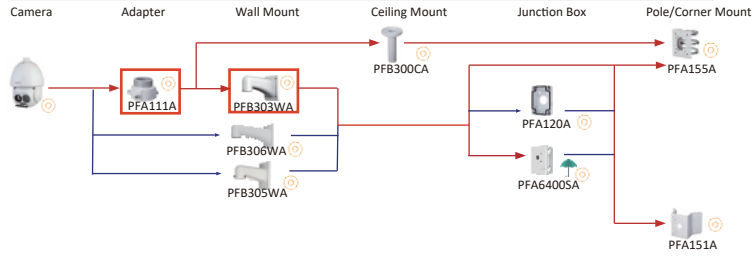
| Shape | Thermal Camera             |  |
|-------|----------------------------|--|
|       | TPC-SDA8641<br>TPC-SDA8441 |  |



| Shape | Thermal Camera   |   |  |
|-------|--|---|--|
|       | DHI-TPC-SD5441-813Z45-DC-S24<br>DHI-TPC-SD5441-819Z45-DC-S24<br>DHI-TPC-SD5441-825Z45-DC-S24<br>DHI-TPC-SD5441-835Z45-DC-S24<br>DHI-TPC-SD5441-850Z45-DC-S24<br>DHI-TPC-SD5641-825Z45-DC-S24 | DHI-TPC-SD5641-835Z45-DC-S24<br>DHI-TPC-SD5641-850Z45-DC-S24<br>DHI-TPC-SD5441-T813Z45-DC-S24-M<br>DHI-TPC-SD5441-T819Z45-DC-S24-M<br>DHI-TPC-SD5441-T825Z45-DC-S24-M<br>DHI-TPC-SD5441-T835Z45-DC-S24-M<br>DHI-TPC-SD5641-T825Z45-DC-S24-M<br>DHI-TPC-SD5641-T835Z45-DC-S24-M<br>DHI-TPC-SD5641-T850Z45-DC-S24-M<br>DHI-TPC-SD5641-T87Z45-DC-S24-M |  |



| Shape | Thermal Camera   |
|-------|--|
|       | DHI-TPC-SD5641-B25245-DC-AC-S24-V3<br>DHI-TPC-SD5641-B35245-DC-AC-S24-V3<br>DHI-TPC-SD5641-B50245-DC-AC-S24-V3<br>DHI-TPC-SD5441-B25245-DC-AC-S24-V3<br>DHI-TPC-SD5441-B35245-DC-AC-S24-V3<br>DHI-TPC-SD5441-B50245-DC-AC-S24-V3 |



| Shape | Thermal Camera  |
|-------|---|
|       | DHI-TPC-SD2241-83F4-DW-S2      DHI-TPC-SD2241-TB3F4-DW-S2<br>DHI-TPC-SD2241-87F8-DW-S2      DHI-TPC-SD2241-TB7F8-DW-S2<br>DHI-TPC-SD2241-810F12-DW-S2      DHI-TPC-SD2241-TB10F12-DW-S2 |

